

# R.UNGOOFAARU REGIONAL HOSPITAL EXTENSION BUILDING

---

---

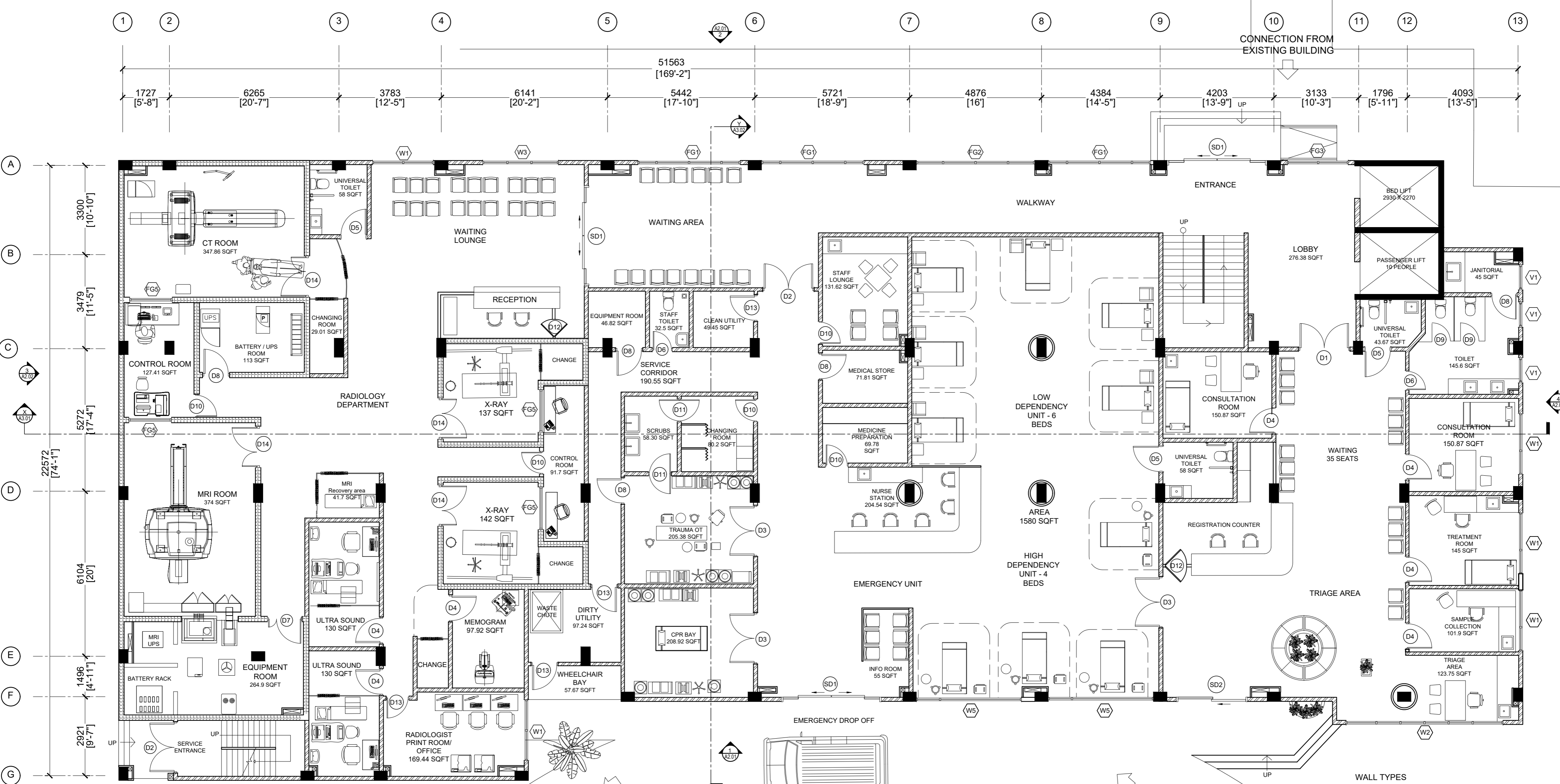
CLIENT: MINISTRY OF HEALTH

DESIGN : SURVEY , DESIGN AND DEVELOPMENT SECTION | MTCC PLC

DATE: 16 JULY 2020

LOCATION: R.UNGOOFAARU





**WALL TYPES**

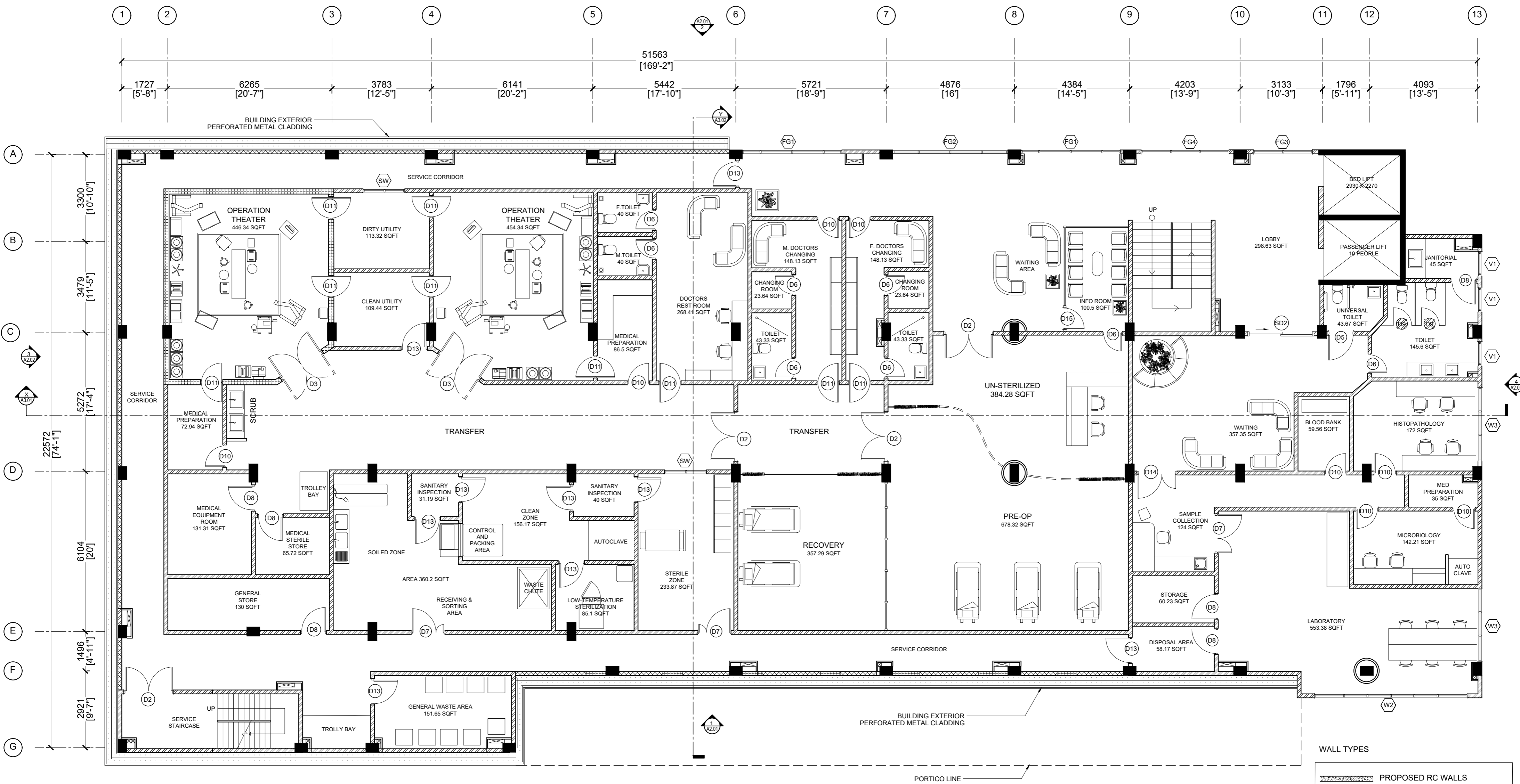
- PROPOSED RC WALLS
- PROPOSED SOLID BLOCK WALLS
- PROPOSED MASONRY WALLS
- PROPOSED 1.2M HEIGHT MASONRY WALL
- PROPOSED DRY WALLS

**IMPORTANT NOTE:**

- PROPOSED SOLID BLOCK WALLS SHOULD INCLUDE RADIATION PROTECTIVE LAYERS
- ALL MEASUREMENTS TO BE CHECKED ON SITE BEFORE STARTING WORK.

**PROPOSED GROUND FLOOR PLAN**  
 SCALE 1:100  
 0 1 2 4 8 METERS

<p><b>M T C C</b> MALDIVES TRANSPORT &amp; CONTRACTING COMPANY PLC</p> <p><small>SURVEY DESIGN AND DEVELOPMENT SECTION CONSTRUCTION AND PROJECTS MANAGEMENT DEPARTMENT MTC TORNER, BOXU THANGUVAWANGI, MALE 20181 PHONE: +960 333 8822740 - 4986 333 3968 FAX: +960 333 8822740 E-MAIL: design.development@mtc.com.nv</small></p>	<p>PROJECT TITLE R. UNGOOFAARU REGIONAL HOSPITAL EXTENSION</p>	<p>CLIENT &amp; ADDRESS MINISTRY OF HEALTH</p>	<p>DESIGN ARCHITECT: SURVEYING, DESIGN AND DEVELOPMENT SECTION</p>	<p>REV</p>	<p>DESCRIPTION</p>	<p>DATE</p>	<p>APPR</p>	<p>SHEET IDENTIFICATION NUMBER <b>A1.02</b></p>
	<p>DRAWING TITLE AS GIVEN</p>	<p>PROJECT LOCATION R. UNGOOFAARU</p>	<p>ENGINEER: IBRAHIM THOAM</p>	<p>STRUCTURAL CHECKER: ABDULLA RAMEEZ</p>	<p>PAPER SCALE A2 AS GVN</p>	<p>DATE 16-07-20</p>		



**WALL TYPES**

	PROPOSED RC WALLS
	PROPOSED SOLID BLOCK WALLS
	PROPOSED MASONRY WALLS
	PROPOSED 1.2M HEIGHT MASONRY WALL
	PROPOSED DRY WALLS

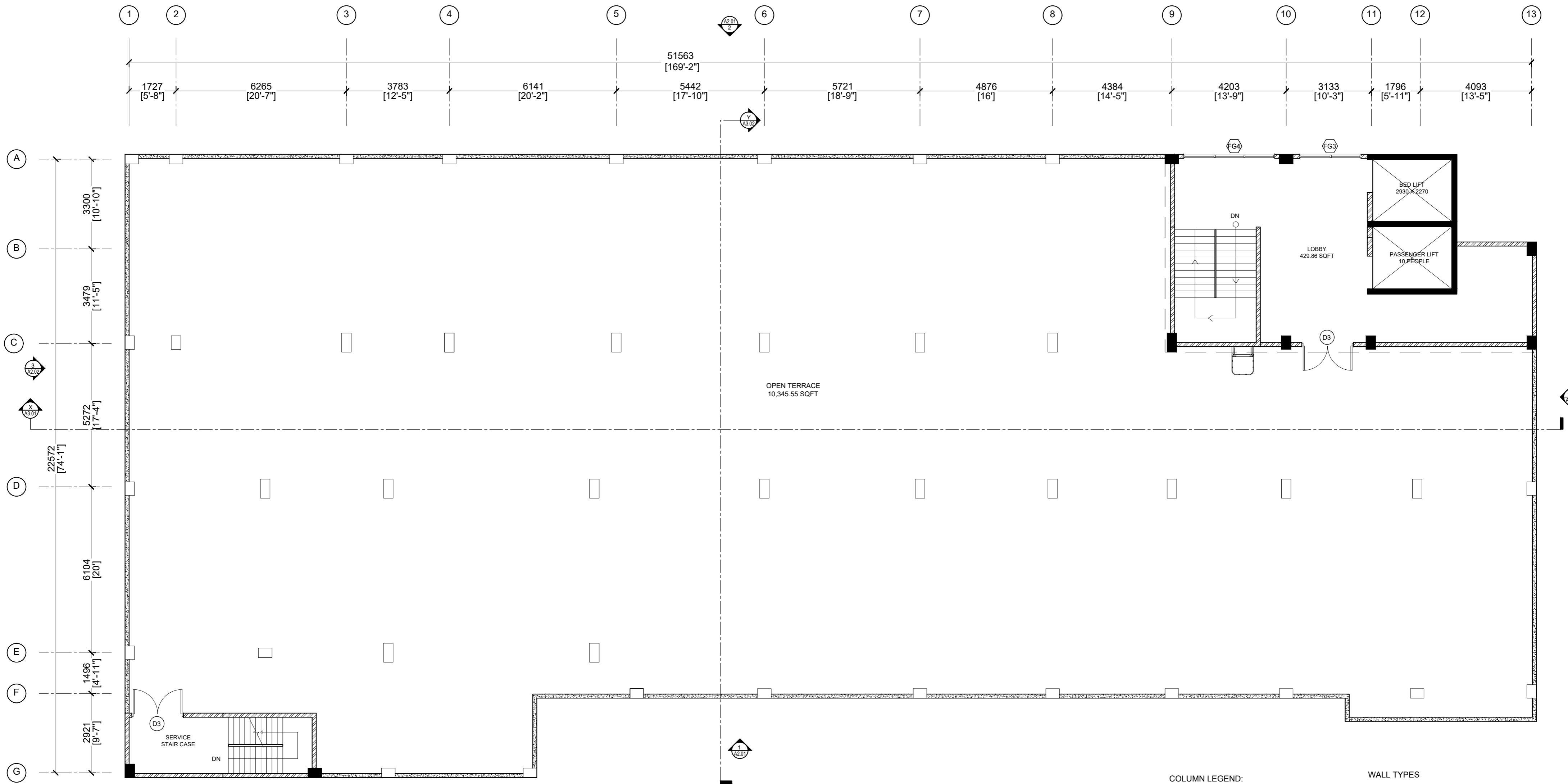
**IMPORTANT NOTE:**

- PROPOSED SOLID BLOCK WALLS SHOULD INCLUDE RADIATION PROTECTIVE LAYERS
- ALL MEASUREMENTS TO BE CHECKED ON SITE BEFORE STARTING WORK.

**PROPOSED FIRST FLOOR PLAN**  
SCALE 1:100  
0 1 2 4 8 METERS

<p><b>M T C C</b> MALAYSIAN TRANSPORT &amp; CONTRACTING COMPANY PLC</p>	<p>PROJECT TITLE R. UNGOOFAARU REGIONAL HOSPITAL EXTENSION</p>	<p>CLIENT &amp; ADDRESS MINISTRY OF HEALTH</p>	<p>DESIGN ARCHITECT: SURVEYING, DESIGN AND DEVELOPMENT SECTION</p>	<p>REV</p>	<p>DESCRIPTION</p>	<p>DATE</p>	<p>APPR</p>	<p>SHEET IDENTIFICATION NUMBER</p>
	<p>DRAWING TITLE AS GIVEN</p>	<p>PROJECT LOCATION R. UNGOOFAARU</p>	<p>ENGINEER: IBRAHIM THOAM</p>	<p>STRUCTURAL CHECKER: ABDULLA RAMEEZ</p>	<p>PAPER SCALE A2 AS GVN</p>	<p>DATE 16-07-20</p>		
		<p>ARCHITECT: AMINATH ZOONA</p>	<p>ARCHITECTURAL CHECKER: IRUFAN WAHEED</p>					<p>TITLE 03</p>
		<p>DRAWN BY: HASSAN SHAHULAN</p>	<p>CHECKED BY: AMINATH SAMAHA</p>					





A  
B  
C  
D  
E  
F  
G

1 2 3 4 5 6 7 8 9 10 11 12 13

1727 [5'-8"] 6265 [20'-7"] 3783 [12'-5"] 6141 [20'-2"] 51563 [169'-2"] 5442 [17'-10"] 5721 [18'-9"] 4876 [16'] 4384 [14'-5"] 4203 [13'-9"] 3133 [10'-3"] 1796 [5'-11"] 4093 [13'-5"]

3300 [10'-10"]  
3479 [11'-5"]  
5272 [17'-4"]  
22572 [74'-1"]  
6104 [20']  
1496 [4'-11"]  
2921 [9'-7"]

**PROPOSED TERRACE FLOOR PLAN**

SCALE 1:100  
0 2 4 6 METRES

**IMPORTANT NOTE:**

- PROPOSED SOLID BLOCK WALLS SHOULD INCLUDE RADIATION PROTECTIVE LAYERS
- ALL MEASUREMENTS TO BE CHECKED ON SITE BEFORE STARTING WORK.

**COLUMN LEGEND:**

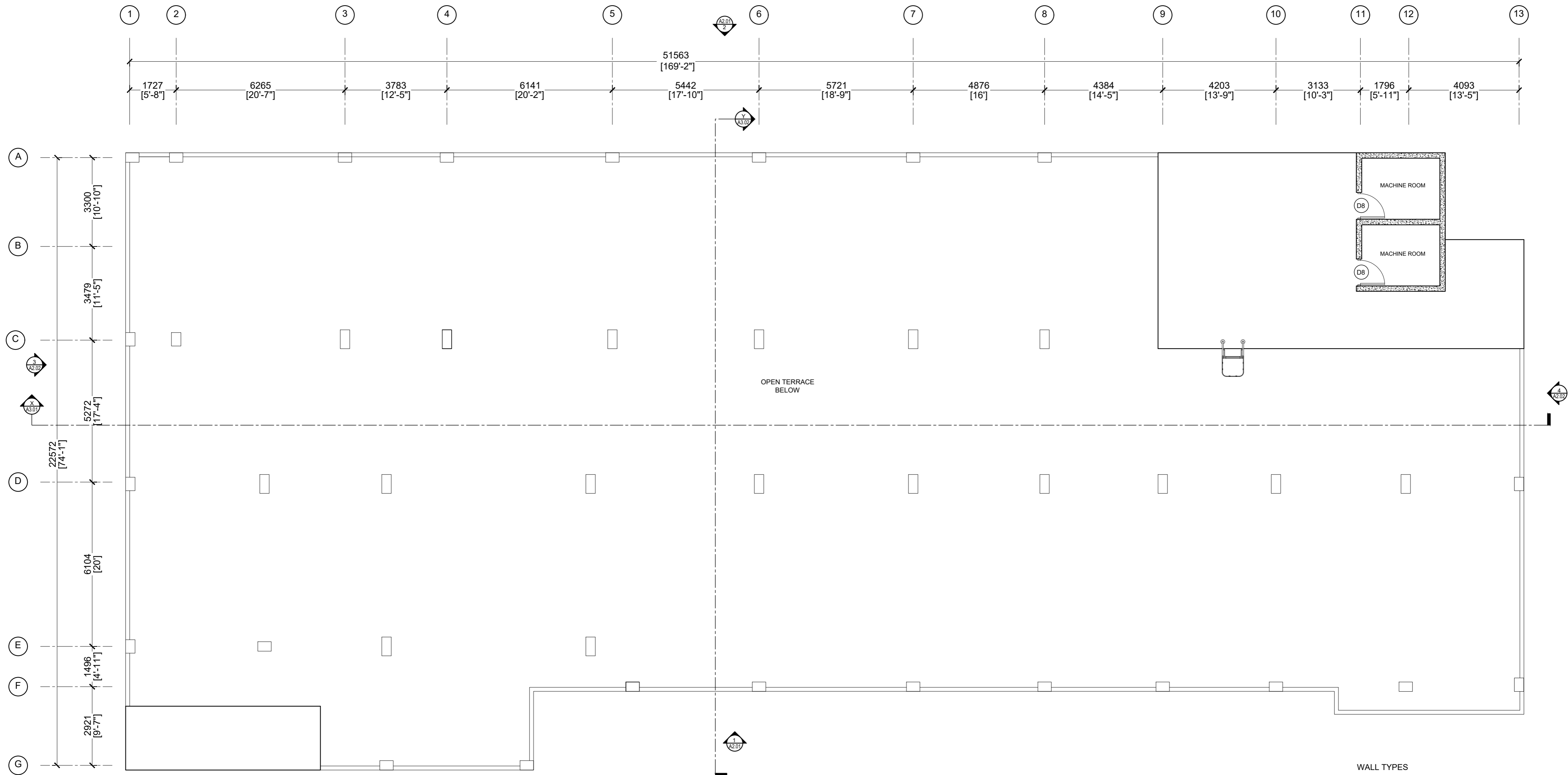
- COLUMN REBARS TO BE EXTENDED 800MM ABOVE THE TERRACE FLOOR LEVEL.
- FIRST 150MM ABOVE THE FLOOR LEVEL TO BE FILLED WITH CONCRETE AND THE REMAINING HEIGHT TO BE FILLED WITH MORTAR
- PROPOSED COLUMN PLAN UP TO MACHINE ROOM FLOOR LEVEL

**WALL TYPES**

- ▨ PROPOSED RC WALLS
- ▨ PROPOSED SOLID BLOCK WALLS
- ▨ PROPOSED MASONRY WALLS
- ▨ PROPOSED 1.2M HEIGHT MASONRY WALL
- ▨ PROPOSED DRY WALLS

<p><b>M T C C</b> MALDIVES TRANSPORT &amp; CONTRACTING COMPANY PLC</p> <p>DESIGN DEVELOPMENT SECTION CONSTRUCTION AND PROJECTS MANAGEMENT DEPARTMENT MTCO TOWER, BLDG 2000, RANGALI ROAD, MALE, MALDIVES PHONE: +960 762 8828 FAX: +960 333 3838 EMAIL: design.development@mtdc.com.nv</p>	<p>PROJECT TITLE R. UNGOOFAARU REGIONAL HOSPITAL EXTENSION</p>	<p>CLIENT &amp; ADDRESS MINISTRY OF HEALTH</p>	<p>DESIGN ARCHITECT: SURVEYING, DESIGN AND DEVELOPMENT SECTION</p>	<p>ENGINEER: IBRAHIM THOAM</p>	<p>STRUCTURAL CHECKER: ABDULLA RAMEEZ</p>	<p>REV</p>	<p>DESCRIPTION</p>	<p>DATE</p>	<p>APPR</p>	<p>SHEET IDENTIFICATION NUMBER <b>A1.05</b></p>
	<p>DRAWING TITLE AS GIVEN</p>	<p>PROJECT LOCATION R. UNGOOFAARU</p>	<p>ARCHITECT: AMINATH ZOONA</p>	<p>ARCHITECTURAL CHECKER: IRUFAN WAHEED</p>	<p>PAPER SCALE A2 AS GVN</p>	<p>CHECKED BY: AMINATH SAMAHA</p>	<p>DATE 16-07-20</p>	<p>DATE</p>	<p>APPR</p>	<p>SHEET TITLE 05</p>

Copyright © All plans, sketches, drawings, graphic representations and specifications prepared by the Architect(s) & Engineer(s) are instruments of service. The copyright and ownership of both the design and these instruments of service belong to the Architect(s) & Engineer(s) and may not be used for any other project, in whole or in part, or offered for sale by any party other than the Architect/Engineer unless the Architect/Engineer has given written consent. Copies of the documents submitted to the client prepared by the Architect/Engineer may be used as they were intended, once, and on the same site and project.



A  
B  
C  
D  
E  
F  
G

1 2 3 4 5 6 7 8 9 10 11 12 13

1727 [5'-8"] 6265 [20'-7"] 3783 [12'-5"] 6141 [20'-2"] 51563 [169'-2"] 5442 [17'-10"] 5721 [18'-9"] 4876 [16'] 4384 [14'-5"] 4203 [13'-9"] 3133 [10'-3"] 1796 [5'-11"] 4093 [13'-5"]

OPEN TERRACE BELOW

MACHINE ROOM  
MACHINE ROOM

WALL TYPES

	PROPOSED RC WALLS
	PROPOSED SOLID BLOCK WALLS
	PROPOSED MASONRY WALLS
	PROPOSED 1.2M HEIGHT MASONRY WALL
	PROPOSED DRY WALLS

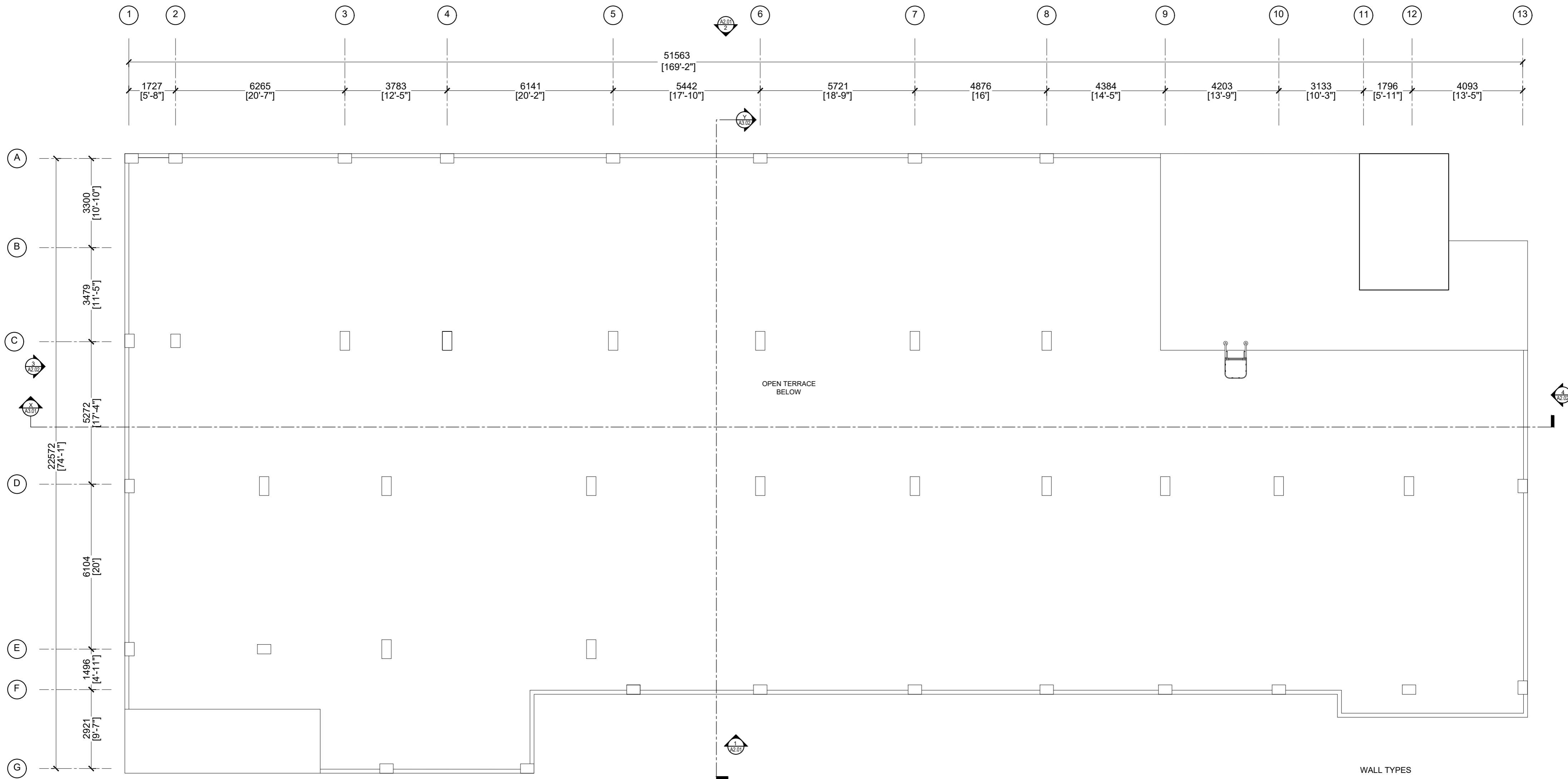
IMPORTANT NOTE:

- PROPOSED SOLID BLOCK WALLS SHOULD INCLUDE RADIATION PROTECTIVE LAYERS
- ALL MEASUREMENTS TO BE CHECKED ON SITE BEFORE STARTING WORK.

**PROPOSED MACHINE ROOM PLAN**  
SCALE 1:100  
0 1 2 4 8 METRES

 <b>M T C C</b> MALDIVES TRANSPORT & CONTRACTING COMPANY PLC <small>BLUENY DESIGN AND DEVELOPMENT SECTION CONSTRUCTION AND PROJECTS MANAGEMENT DEPARTMENT MTCO CENTER, LOCAL INFRASTRUCTURE DEVELOPMENT, MINISTRY OF HEALTH, REPUBLIC OF MALDIVES. PHONE: +960 332 8823 FAX: +960 333 3233 E-MAIL: design.development@mtrcc.com.nv</small>	PROJECT TITLE <b>R.UNGOOFAARU REGIONAL HOSPITAL EXTENSION</b>	CLIENT & ADDRESS <b>MINISTRY OF HEALTH</b>	DESIGN ARCHITECT: SURVEYING, DESIGN AND DEVELOPMENT SECTION	STRUCTURAL CHECKER: ABDULLA RAMEEZ	REV DESCRIPTION DATE APPR	SHEET IDENTIFICATION NUMBER <b>A1.06</b> SHEET TITLE 06
	DRAWING TITLE <b>AS GIVEN</b>	PROJECT LOCATION <b>R.UNGOOFAARU</b>	ARCHITECT: AMINATH ZOONA	ARCHITECTURAL CHECKER: IRUFAN WAHEED	PAPER SCALE A2 AS GVN	DATE 16-07-20

©COPYRIGHT All plans, drawings, graphics, representations and specifications prepared by the Architects & Engineers are instruments of service. The copyright and ownership of such the design and instruments of service belong to the Architects & Engineers and may not be used for any other project, or sold or offered for sale by any party other than the Architects & Engineers with the Architects & Engineers' prior written consent. Copies of the documents submitted to the client prepared by the Architects & Engineers, whether used or not, are on the same site and project.



**IMPORTANT NOTE:**

- PROPOSED SOLID BLOCK WALLS SHOULD INCLUDE RADIATION PROTECTIVE LAYERS
- ALL MEASUREMENTS TO BE CHECKED ON SITE BEFORE STARTING WORK.

**WALL TYPES**

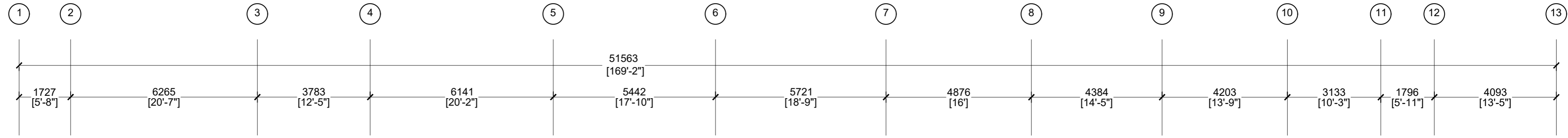
	PROPOSED RC WALLS
	PROPOSED SOLID BLOCK WALLS
	PROPOSED MASONRY WALLS
	PROPOSED 1.2M HEIGHT MASONRY WALL
	PROPOSED DRY WALLS

**PROPOSED MACHINE ROOM ROOF PLAN**  
SCALE 1:100  
0 1 2 4 8 METERS

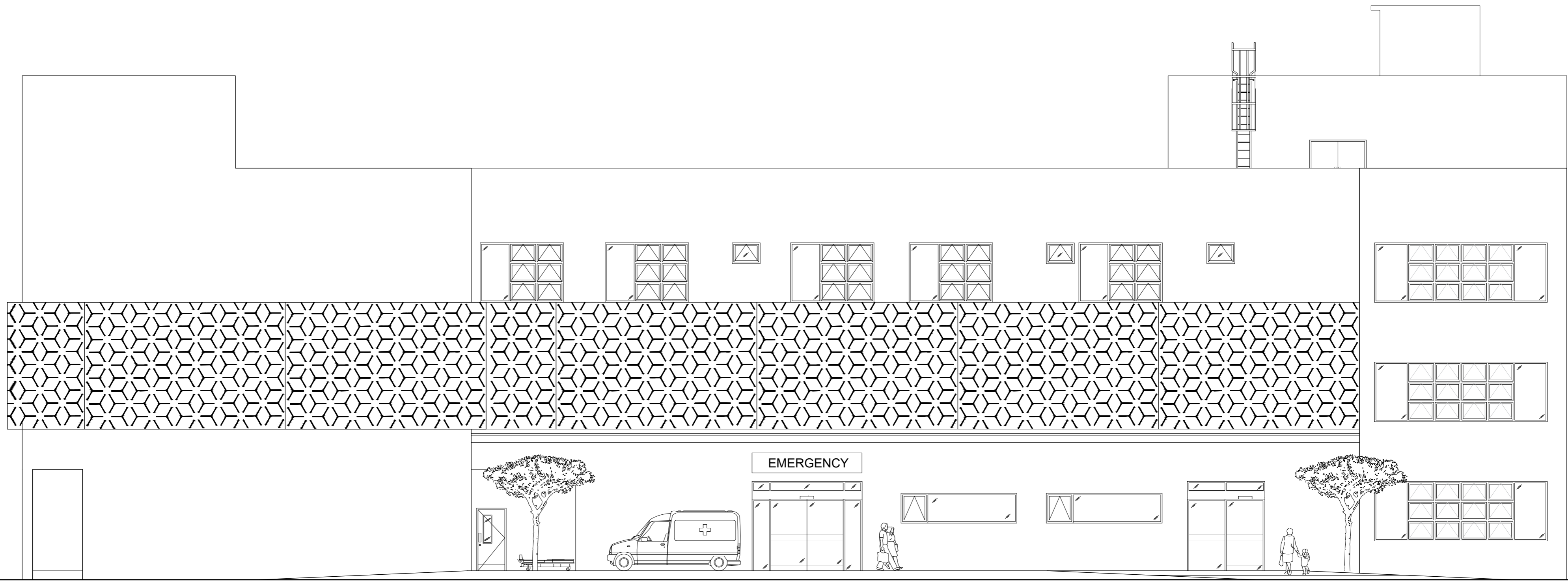
 <b>M T C C</b> MALDIVES TRANSPORT & CONTRACTING COMPANY PLC <small>DESIGN DEVELOPMENT SECTION</small> <small>CONSTRUCTION AND PROJECTS MANAGEMENT DEPARTMENT</small> <small>MADIC TOWER, BICOU TRADING PARK, MAALU, MALE 20141</small> <small>SEK, BLDG OF MALDIVES</small> <small>PHONE - 960 333 8888 FAX - 960 333 3888</small> <small>E-MAIL - design@mtcc.com.mv</small>	<b>PROJECT TITLE</b> R.UNGOOFAARU REGIONAL HOSPITAL EXTENSION	<b>CLIENT &amp; ADDRESS</b> MINISTRY OF HEALTH	<b>DESIGN ARCHITECT:</b> SURVEYING, DESIGN AND DEVELOPMENT SECTION	<b>REV</b>	<b>DESCRIPTION</b>	<b>DATE</b>	<b>APPR</b>	<b>SHEET IDENTIFICATION NUMBER</b> A1.07	
	<b>DRAWING TITLE</b> AS GIVEN	<b>PROJECT LOCATION</b> R.UNGOOFAARU	<b>ENGINEER:</b> IBRAHIM THOAM	<b>STRUCTURAL CHECKER:</b> ABDULLA RAMEEZ	<b>ARCHITECT:</b> AMINATH ZOONA	<b>ARCHITECTURAL CHECKER:</b> IRUFAAN WAHEED	<b>PAPER</b> A2	<b>SCALE</b> AS GVN	<b>DATE</b> 16-07-20

Copyright © All plans, sketches, drawings, graphic representations and specifications prepared by the Architect(s) & Engineer(s) are instruments of service. The copyright and ownership of both the design and these instruments of service belong to the Architect(s) & Engineer(s) and may not be used for any other project, in whole or in part, or for any other purpose without the prior written consent of the Architect(s) & Engineer(s). Copies of the documents submitted to the client prepared by the Architect(s) & Engineer(s) may be used as they were intended, once, and on the same site and project.

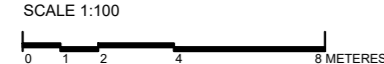




- ⊕ MACHINE ROOM TOP LEVEL  
[+19250mm]
- ⊕ MACHINE ROOM FLOOR LEVEL  
[+16900mm]
- ⊕ PARAPET WALL LEVEL  
[+13800mm]
- ⊕ TERRACE FLOOR LEVEL  
[+12300mm]
- ⊕ SECOND FLOOR LEVEL  
[+8300mm]
- ⊕ FIRST FLOOR LEVEL  
[+4300mm]
- ⊕ GROUND FLOOR LEVEL  
[+300mm]
- ⊕ GROUND LEVEL  
[±0mm]

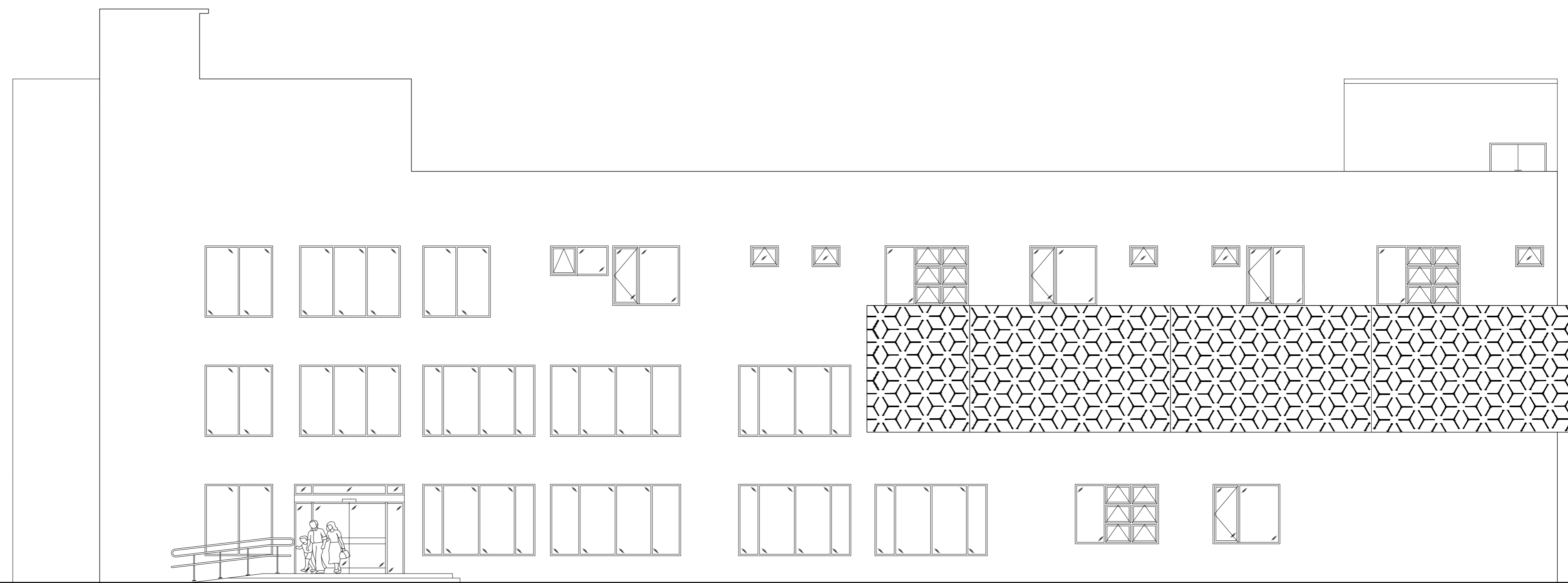
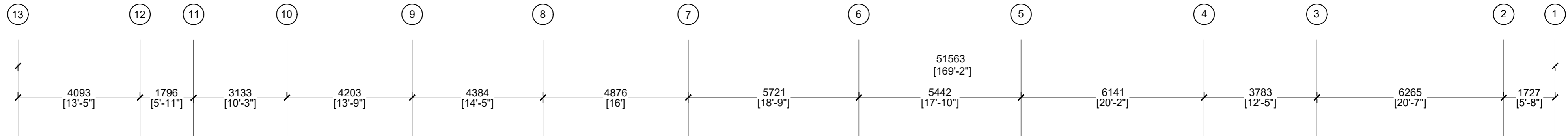


**ELEVATION 1**

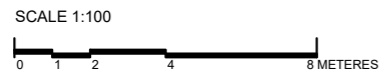


	PROJECT TITLE <b>R.UNGOOFAARU REGIONAL HOSPITAL EXTENSION</b>	CLIENT & ADDRESS <b>MINISTRY OF HEALTH</b>	DESIGN ARCHITECT: SURVEYING, DESIGN AND DEVELOPMENT SECTION		REV	DESCRIPTION	DATE	APPR	SHEET IDENTIFICATION NUMBER <b>A2.01</b>
	DRAWING TITLE <b>AS GIVEN</b>	PROJECT LOCATION <b>R.UNGOOFAARU</b>	ENGINEER: <b>IBRAHIM THOAM</b>	STRUCTURAL CHECKER: <b>ABDULLA RAMEEZ</b>					
			ARCHITECT: <b>AMINATH ZOONA</b>	ARCHITECTURAL CHECKER: <b>IRUFAAN WAHEED</b>					
			DRAWN BY: <b>HASSAN SHAHULAN</b>	CHECKED BY: <b>AMINATH SAMAHA</b>	DATE <b>16-07-20</b>				SHEET TITLE <b>08</b>

COPYRIGHT All plans, sketches, drawings, graphic representations and specifications prepared by the Architect(s) & Engineer(s) are instruments of service. The copyright and ownership of both the design and these instruments of service belong to the Architect(s) & Engineer(s) and may not be used for any other project, or sold, or offered for sale by any party other than the Architect/Engineer unless the Architect/Engineer has given written consent. Copies of the documents submitted to the client prepared by the Architect/Engineer may be used as they were intended, once, and on the same site and project.

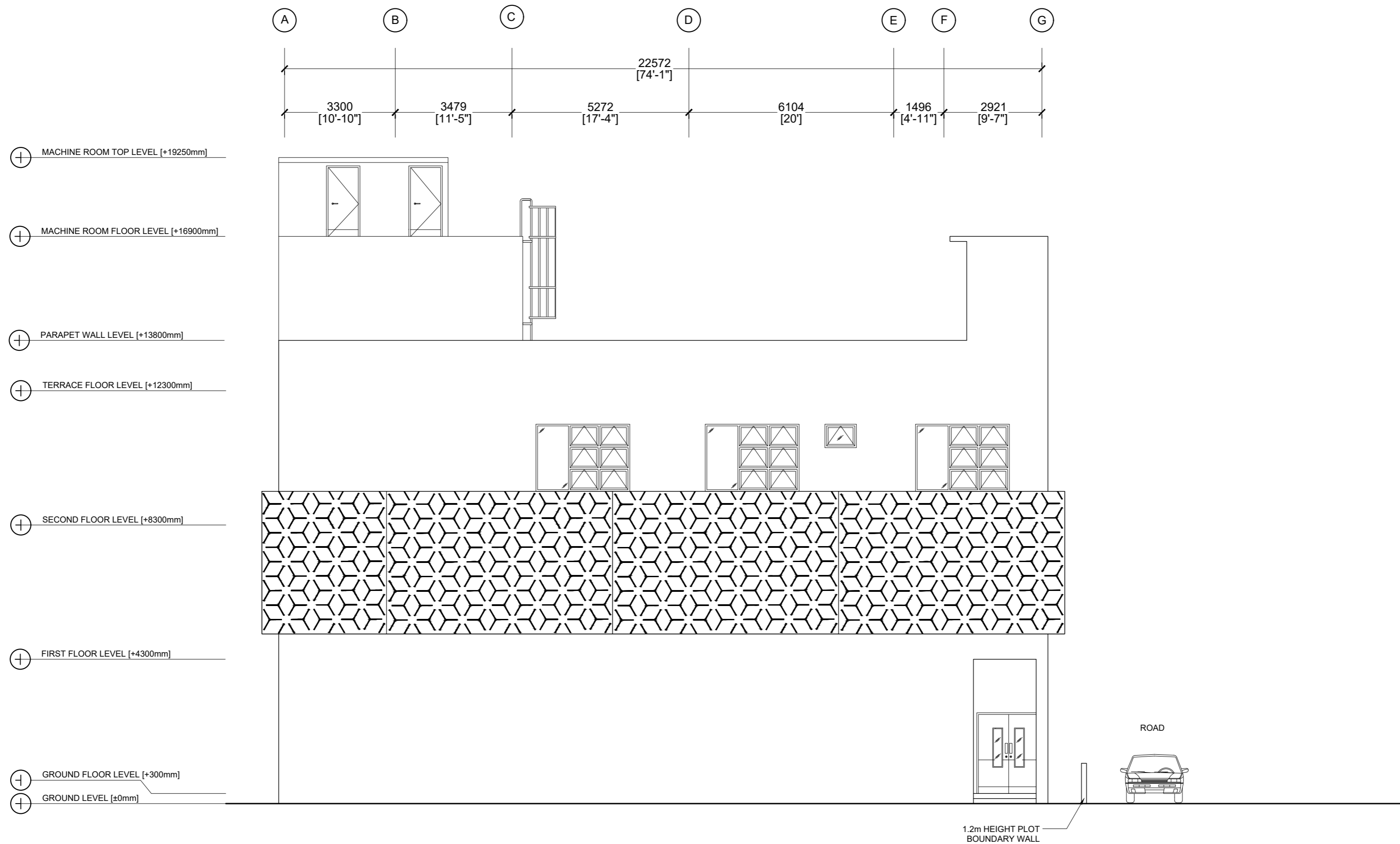


**ELEVATION 2**



<p><b>M T C C</b> MALDIVES TRANSPORT &amp; CONTRACTING COMPANY PLC SURVEY DESIGN AND DEVELOPMENT SECTION CONSTRUCTION AND PROJECTS MANAGEMENT DEPARTMENT MTCCTOWER, BLDG 2, FRIEDLAND ROAD, MAHA, MALE 20181, REPUBLIC OF MALDIVES PHONE: +960 333 8222 FAX: +960 333 2028 E-MAIL: design.development@mtrcc.com.mv</p>	<p>PROJECT TITLE R.UNGOOFAARU REGIONAL HOSPITAL EXTENSION</p>	<p>CLIENT &amp; ADDRESS MINISTRY OF HEALTH</p>	<p>DESIGN ARCHITECT: SURVEYING, DESIGN AND DEVELOPMENT SECTION</p>	<table border="1"> <thead> <tr> <th>REV</th> <th>DESCRIPTION</th> <th>DATE</th> <th>APPR</th> </tr> </thead> <tbody> <tr><td> </td><td> </td><td> </td><td> </td></tr> <tr><td> </td><td> </td><td> </td><td> </td></tr> <tr><td> </td><td> </td><td> </td><td> </td></tr> <tr><td> </td><td> </td><td> </td><td> </td></tr> <tr><td> </td><td> </td><td> </td><td> </td></tr> <tr><td> </td><td> </td><td> </td><td> </td></tr> <tr><td> </td><td> </td><td> </td><td> </td></tr> <tr><td> </td><td> </td><td> </td><td> </td></tr> <tr><td> </td><td> </td><td> </td><td> </td></tr> <tr><td> </td><td> </td><td> </td><td> </td></tr> </tbody> </table>	REV	DESCRIPTION	DATE	APPR																																									<p>SHEET IDENTIFICATION NUMBER <b>A2.02</b> SHEET TITLE 09</p>
	REV	DESCRIPTION	DATE	APPR																																													
<p>DRAWING TITLE AS GIVEN</p>	<p>PROJECT LOCATION R.UNGOOFAARU</p>	<p>ARCHITECT: AMINATH ZOONA</p>	<p>STRUCTURAL CHECKER: ABDULLA RAMEEZ</p>	<p>ARCHITECTURAL CHECKER: IRUFAN WAHEED</p>	<p>PAPER SCALE A2 AS GVN</p>																																												
<p>DRAWN BY: HASSAN SHAHULAN</p>	<p>CHECKED BY: AMINATH SAMAHA</p>	<p>DATE 16-07-20</p>																																															

© COPYRIGHT All rights reserved. Drawings, graphics, representations and descriptions prepared by the Architect(s) & Engineer(s) are instruments of service. The copyright and ownership of both the design and the instrument of service belong to the Architect(s) & Engineer(s) and may not be used for any other project, or sold, or offered for sale by any party other than the Architect/Engineer unless the Architect/Engineer has given written consent. Copies of the documents submitted to the client prepared by the Architect/Engineer reproduced as they were intended, once, and on the same file and project.

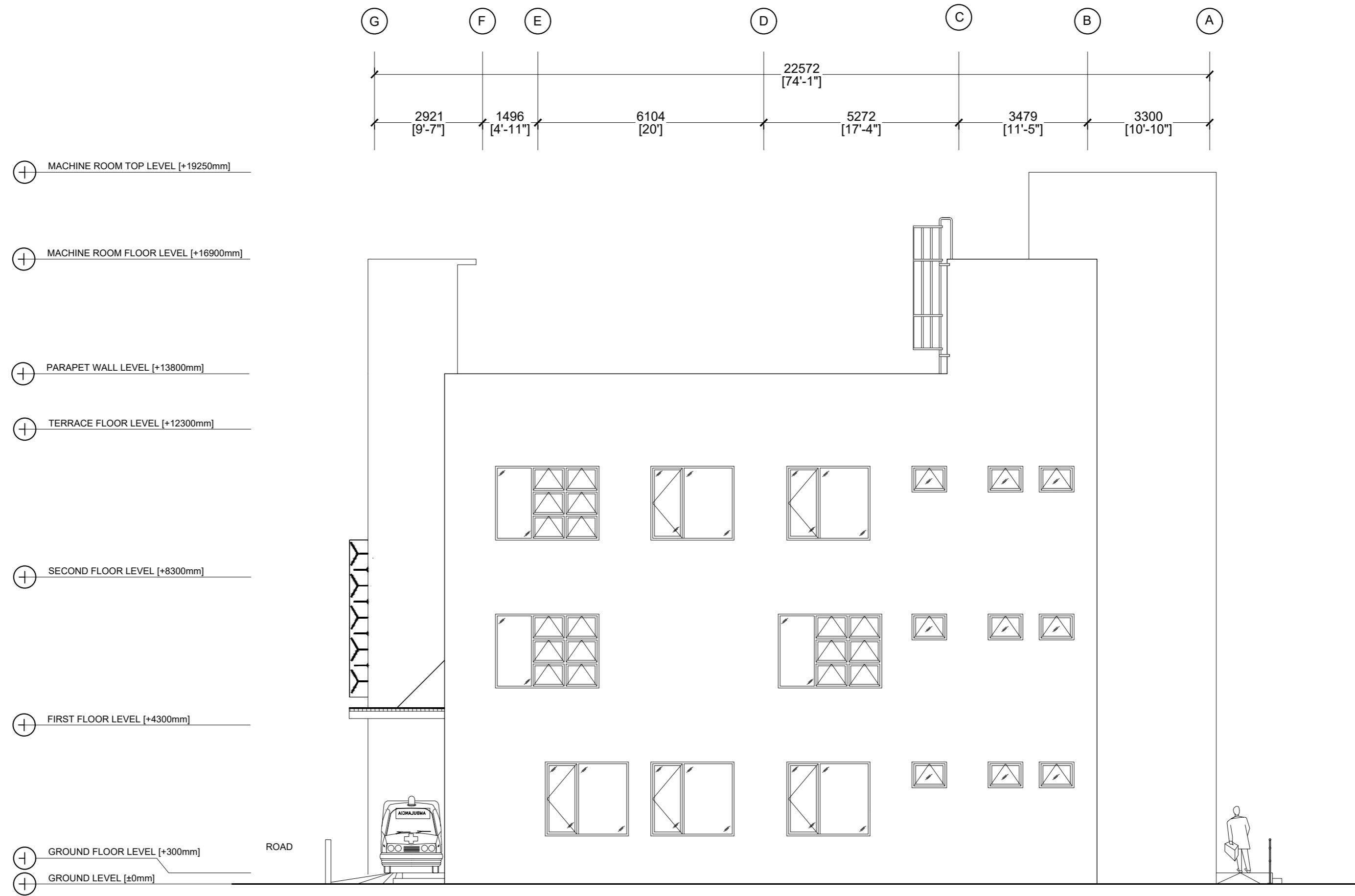


**ELEVATION 3**



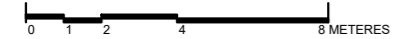
<p><b>M T C C</b> MALDIVES TRANSPORT &amp; CONTRACTING COMPANY PLC</p> <p><small>SURVEY DESIGN AND DEVELOPMENT SECTION CONSTRUCTION AND PROJECTS MANAGEMENT DEPARTMENT MTCCTOWER, BLDG 102, THURUPAARA HANGAL, MALÉ 20081, REPUBLIC OF MALDIVES. PHONE: +960 152 8822 FAX: +960 333 2838 E-MAIL: design@mtccc.com.nv</small></p>	<p>PROJECT TITLE <b>R.UNGOOFAARU REGIONAL HOSPITAL EXTENSION</b></p>	<p>CLIENT &amp; ADDRESS <b>MINISTRY OF HEALTH</b></p>	<p>DESIGN ARCHITECT: SURVEYING, DESIGN AND DEVELOPMENT SECTION</p>	<table border="1"> <tr> <th>REV</th> <th>DESCRIPTION</th> <th>DATE</th> <th>APPR</th> </tr> <tr> <td> </td> <td> </td> <td> </td> <td> </td> </tr> <tr> <td> </td> <td> </td> <td> </td> <td> </td> </tr> <tr> <td> </td> <td> </td> <td> </td> <td> </td> </tr> <tr> <td> </td> <td> </td> <td> </td> <td> </td> </tr> <tr> <td> </td> <td> </td> <td> </td> <td> </td> </tr> <tr> <td> </td> <td> </td> <td> </td> <td> </td> </tr> <tr> <td> </td> <td> </td> <td> </td> <td> </td> </tr> <tr> <td> </td> <td> </td> <td> </td> <td> </td> </tr> <tr> <td> </td> <td> </td> <td> </td> <td> </td> </tr> </table>	REV	DESCRIPTION	DATE	APPR																																					<p>SHEET IDENTIFICATION NUMBER <b>A2.03</b></p>
	REV	DESCRIPTION	DATE	APPR																																									
<p>DRAWING TITLE <b>AS GIVEN</b></p>	<p>PROJECT LOCATION <b>R.UNGOOFAARU</b></p>	<p>ENGINEER: IBRAHIM THOAM</p>	<p>STRUCTURAL CHECKER: ABDULLA RAMEEZ</p>	<p>PAPER SCALE A2 AS GVN</p>	<p>SHEET TITLE 10</p>																																								


COPYRIGHT All plans, drawings, designs, graphic representations and specifications prepared by the Architect(s) & Engineer(s) are instruments of service. The copyright and ownership of such the design and these instruments of service belong to the Architect(s) & Engineer(s) and may not be used for any other project, or sold, or offered for sale by any party other than the Architect/Engineer unless the Architect/Engineer has given permission. Copies of the documents submitted to the client prepared by the Architect/Engineer are voided as they were intended, once used on the same site and project.



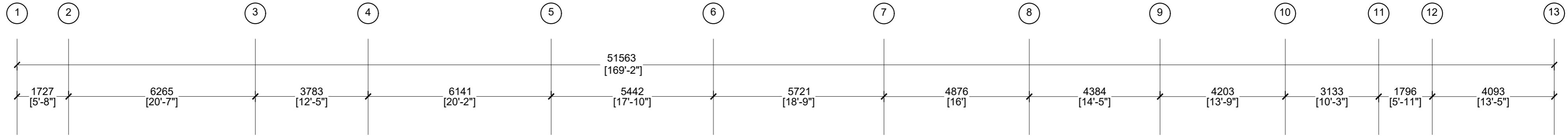
ELEVATION 4

SCALE 1:100

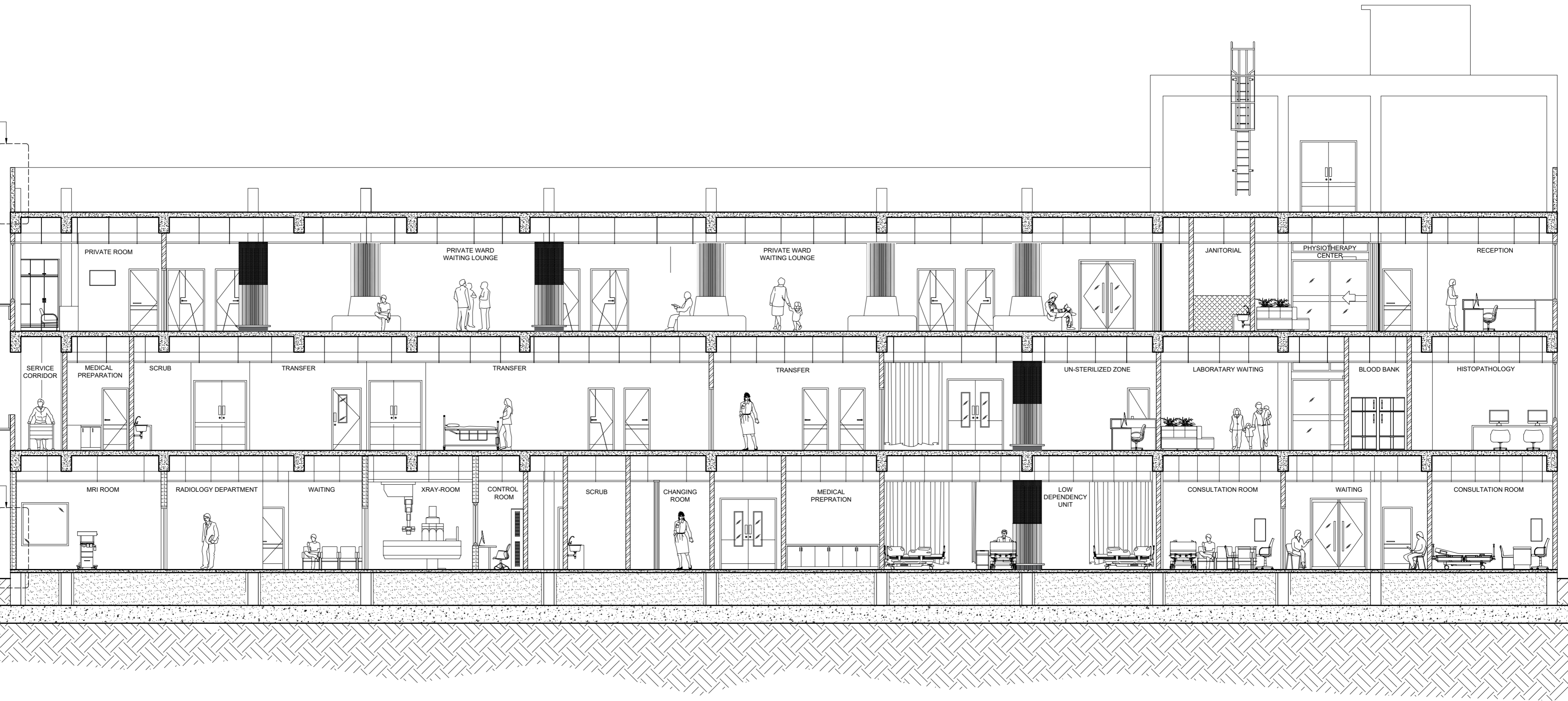


 <p><b>M T C C</b> MALDIVES TRANSPORT &amp; CONTRACTING COMPANY PLC</p> <p><small>BUREAU DESIGN AND DEVELOPMENT SECTION CONSTRUCTION AND PROJECTS MANAGEMENT DEPARTMENT MTCCT TOWER, BODU THARUWAKKALU, MALE 201811 PHONE: +960 333 8822 FAX: +960 333 2008 E-MAIL: design_dept@mtcc.com.mv</small></p>	<p>PROJECT TITLE R.UNGOOFAARU REGIONAL HOSPITAL EXTENSION</p>	<p>CLIENT &amp; ADDRESS MINISTRY OF HEALTH</p>	<p>DESIGN ARCHITECT: SURVEYING, DESIGN AND DEVELOPMENT SECTION</p>		<table border="1"> <thead> <tr> <th>REV</th> <th>DESCRIPTION</th> <th>DATE</th> <th>APPR</th> </tr> </thead> <tbody> <tr><td> </td><td> </td><td> </td><td> </td></tr> <tr><td> </td><td> </td><td> </td><td> </td></tr> <tr><td> </td><td> </td><td> </td><td> </td></tr> <tr><td> </td><td> </td><td> </td><td> </td></tr> <tr><td> </td><td> </td><td> </td><td> </td></tr> <tr><td> </td><td> </td><td> </td><td> </td></tr> <tr><td> </td><td> </td><td> </td><td> </td></tr> <tr><td> </td><td> </td><td> </td><td> </td></tr> <tr><td> </td><td> </td><td> </td><td> </td></tr> </tbody> </table>	REV	DESCRIPTION	DATE	APPR																																					<p>SHEET IDENTIFICATION NUMBER <b>A2.04</b> SHEET TITLE 11</p>
	REV	DESCRIPTION	DATE	APPR																																										
<p>DRAWING TITLE AS GIVEN</p>	<p>PROJECT LOCATION R.UNGOOFAARU</p>	<p>ENGINEER: IBRAHIM THOAM</p>	<p>STRUCTURAL CHECKER: ABDULLA RAMEEZ</p>																																											
		<p>ARCHITECT: AMINATH ZOONA</p>	<p>ARCHITECTURAL CHECKER: IRUFAAN WAHEED</p>	<p>PAPER SCALE A2 AS GVN</p>																																										
		<p>DRAWN BY: HASSAN SHAHULAN</p>	<p>CHECKED BY: AMINATH SAMAHA</p>	<p>DATE 16-07-20</p>																																										

COPYRIGHT All plans, drawings, drawings, graphic representations and specifications prepared by the Architect(s) & Engineer(s) are instruments of service. The copyright and ownership of both the design and these instruments of service belong to the Architect(s) & Engineer(s) and may be used for any other project, or used, or altered for sale by any party other than the Architect/Engineer unless the Architect/Engineer has given written consent. Copies of the documents submitted to the client prepared by the Architect/Engineer made as they were intended, once, and on the same site and project.



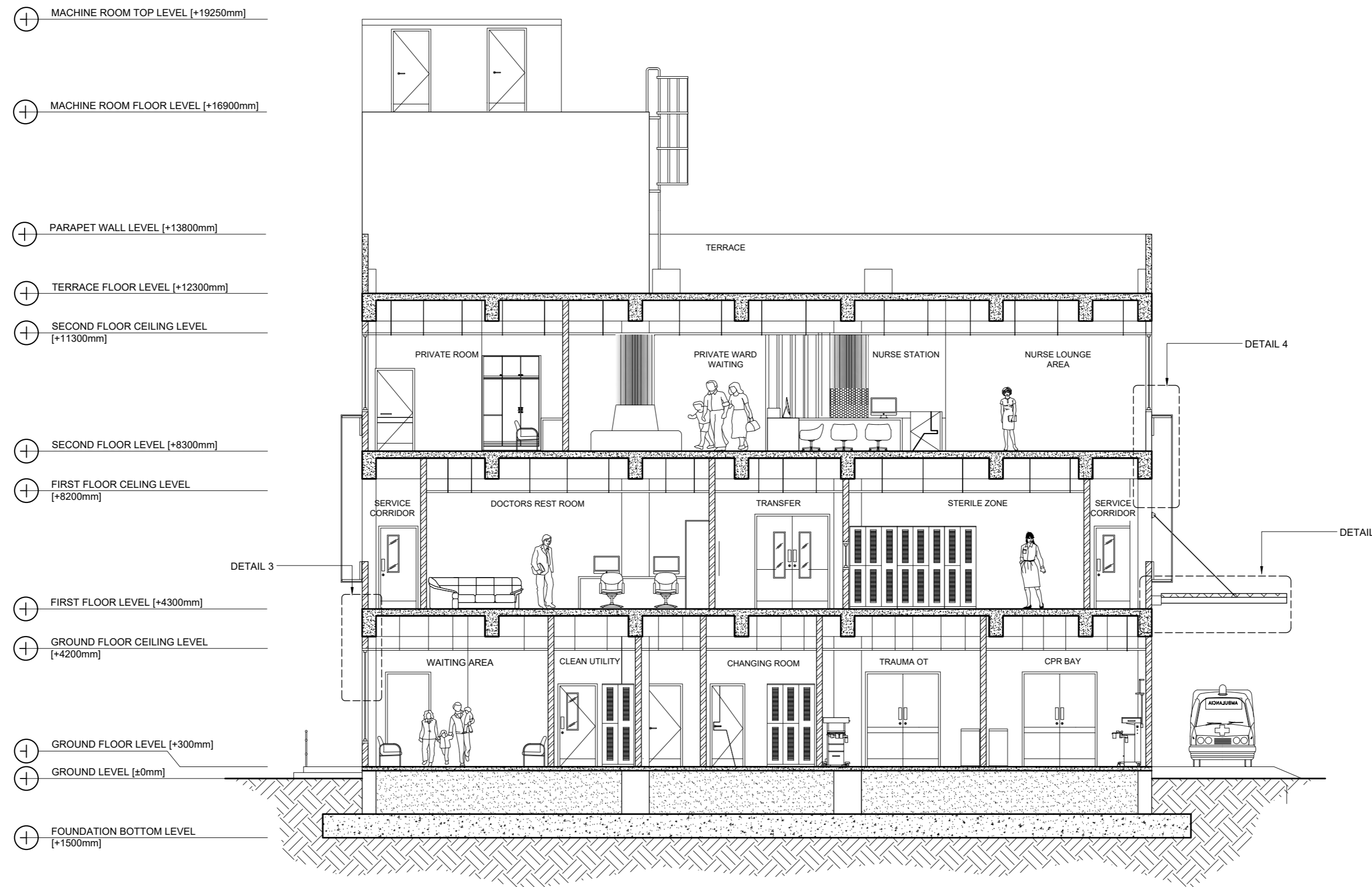
- ⊕ MACHINE ROOM TOP LEVEL  
[+19250mm]
- ⊕ MACHINE ROOM FLOOR LEVEL  
[+16900mm]
- ⊕ PARAPET WALL LEVEL  
[+13800mm]
- ⊕ TERRACE FLOOR LEVEL  
[+12300mm]
- ⊕ SECOND FLOOR CEILING LEVEL  
[+11300mm]
- ⊕ SECOND FLOOR LEVEL  
[+8300mm]
- ⊕ FIRST FLOOR CEILING LEVEL  
[+8200mm]
- ⊕ FIRST FLOOR LEVEL  
[+4300mm]
- ⊕ GROUND FLOOR CEILING LEVEL  
[+4200mm] DETAIL 1
- ⊕ GROUND FLOOR LEVEL  
[+300mm]
- ⊕ GROUND LEVEL  
[±0mm]
- ⊕ FOUNDATION BOTTOM LEVEL  
[+1500mm]



**SECTION X-X**




<p><b>M T C C</b> MALDIVES TRANSPORT &amp; CONTRACTING COMPANY PLC</p> <p><small>DESIGN, CONSTRUCTION AND DEVELOPMENT SECTION CONSTRUCTION AND PROJECTS MANAGEMENT DEPARTMENT MTCO, TOMBA, MOOZI TRAVEL AREA, MALE' (2008) REPUBLIC OF MALDIVES PHONE: +960 332 8822 FAX: +960 333 2833 E-MAIL: design.development@mtccc.com.mv</small></p>	<p>PROJECT TITLE <b>R. UNGOOFAARU REGIONAL HOSPITAL EXTENSION</b></p>	<p>CLIENT &amp; ADDRESS <b>MINISTRY OF HEALTH</b></p>	<p>DESIGN ARCHITECT: SURVEYING, DESIGN AND DEVELOPMENT SECTION</p> <p>ENGINEER: IBRAHIM THOAM</p> <p>ARCHITECT: AMINATH ZOONA</p> <p>DRAWN BY: HASSAN SHAHULAN</p>	<p>STRUCTURAL CHECKER: ABDULLA RAMEEZ</p> <p>ARCHITECTURAL CHECKER: IRUFAN WAHEED</p> <p>CHECKED BY: AMINATH SAMAHA</p>	<p>PAPER SCALE A2 AS GVN</p> <p>DATE 16-07-20</p>	<table border="1" style="width: 100%; border-collapse: collapse;"> <thead> <tr> <th>REV</th> <th>DESCRIPTION</th> <th>DATE</th> <th>APPR</th> </tr> </thead> <tbody> <tr><td> </td><td> </td><td> </td><td> </td></tr> <tr><td> </td><td> </td><td> </td><td> </td></tr> <tr><td> </td><td> </td><td> </td><td> </td></tr> <tr><td> </td><td> </td><td> </td><td> </td></tr> </tbody> </table>	REV	DESCRIPTION	DATE	APPR																	<p>SHEET IDENTIFICATION NUMBER <b>A3.01</b></p> <p>SHEET TITLE 12</p>
	REV	DESCRIPTION	DATE	APPR																							
<p>DRAWING TITLE <b>AS GIVEN</b></p>		<p>PROJECT LOCATION <b>R. UNGOOFAARU</b></p>		<p><small>COPYRIGHT © All plans, sketches, drawings, graphic representations and specifications prepared by the Architect(s) &amp; Engineer(s) are instruments of service. The copyright and ownership of both the design and these instruments of service belong to the Architect(s) &amp; Engineer(s) and may not be used for any other project or site, or offered for sale by any party other than the Architect/Engineer unless the Architect/Engineer has given written consent. Copies of the documents submitted to the client prepared by the Architect/Engineer may be used as they were intended, once and on the same site and project.</small></p>																							

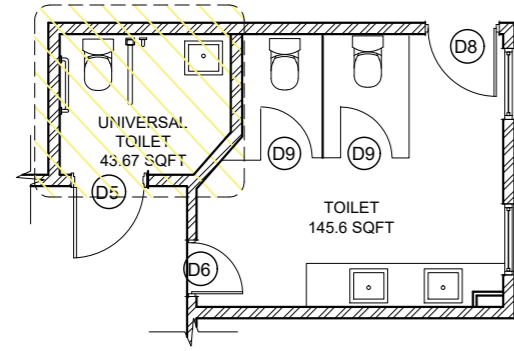


SECTION Y-Y

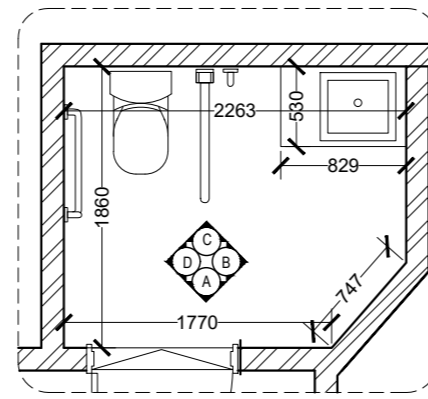
SCALE 1:100  
 0 1 2 4 8 METERS

 <b>MTCC</b> MALDIVES TRANSPORT & CONTRACTING COMPANY PLC <small>SURVEYING AND DEVELOPMENT SECTION          CONSTRUCTION AND PROJECTS MANAGEMENT DEPARTMENT          MPOC TOWER, BODU THORU, MALÉ, MALÉ 20141          REPUBLIC OF MALDIVES          PHONE: +960 332 9622 FAX: +960 333 2825          E-MAIL: design@maldivetransport.com.mv</small>	PROJECT TITLE R.UNGOOFAARU REGIONAL HOSPITAL EXTENSION	CLIENT & ADDRESS MINISTRY OF HEALTH	DESIGN ARCHITECT: SURVEYING, DESIGN AND DEVELOPMENT SECTION	REV	DESCRIPTION	DATE	APPR	SHEET IDENTIFICATION NUMBER <b>A3.02</b> SHEET TITLE 13
	DRAWING TITLE AS GIVEN	PROJECT LOCATION R.UNGOOFAARU	ENGINEER: IBRAHIM THOAM	STRUCTURAL CHECKER: ABDULLA RAMEEZ				
			ARCHITECT: AMINATH ZOONA	ARCHITECTURAL CHECKER: IRUFAAN WAHEED	PAPER A2	SCALE AS GVN		
			DRAWN BY: HASSAN SHAHULAN	CHECKED BY: AMINATH SAMAHA	DATE 16-07-20			

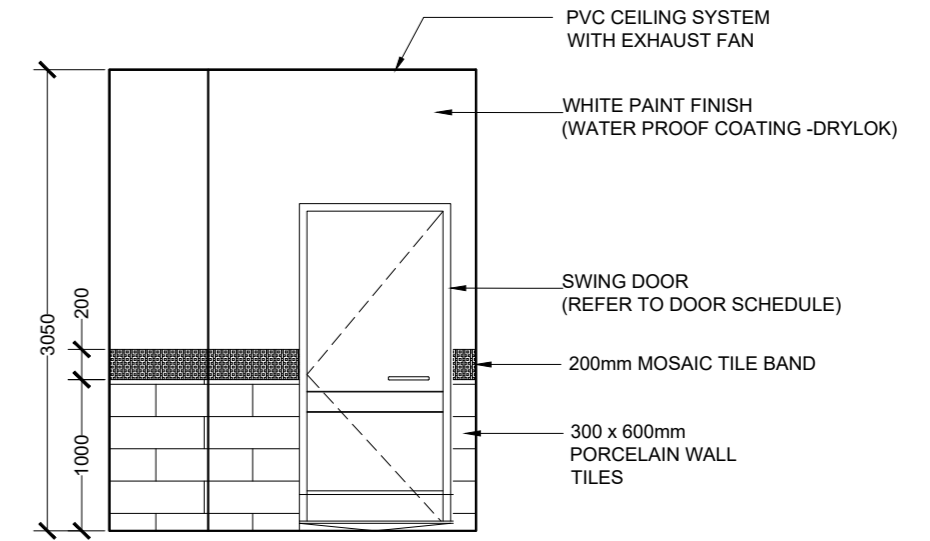
COPYRIGHT All plans, sketches, drawings, graphic representations and specifications prepared by the Architect(s) & Engineer(s) are instruments of service. The copyright and ownership of both the design and these instruments of service belong to the Architect(s) & Engineer(s) and may not be used for any other project, or sold, or offered for sale by any party other than the Architect/Engineer unless the Architect/Engineer has given written consent. Copies of the documents submitted to the client prepared by the Architect/Engineer may be used as they were intended, once, and on the same site and project.



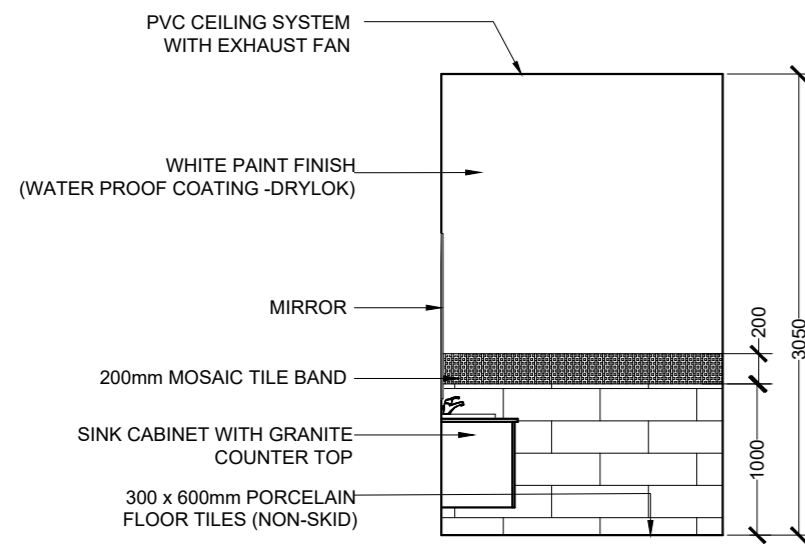
**KEY PLAN**  
SCALE 1:100



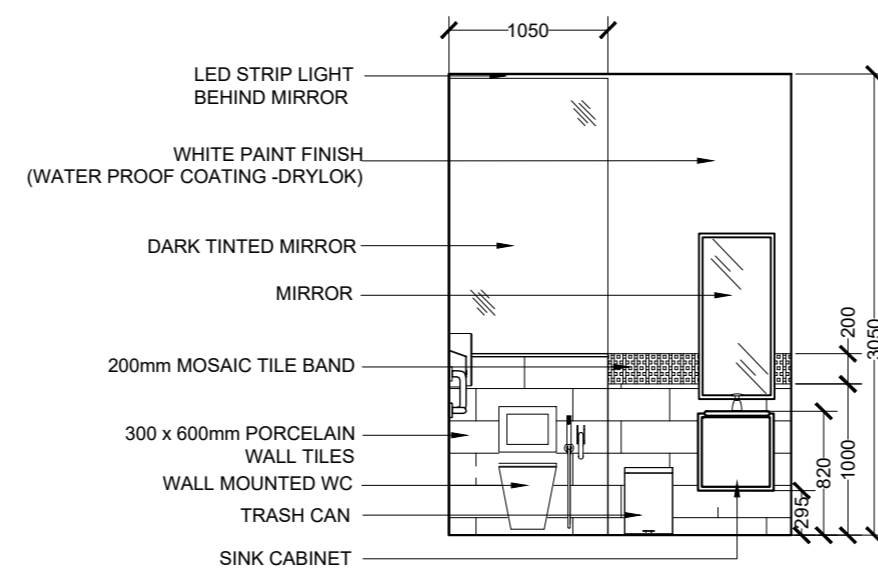
**FLOOR PLAN**



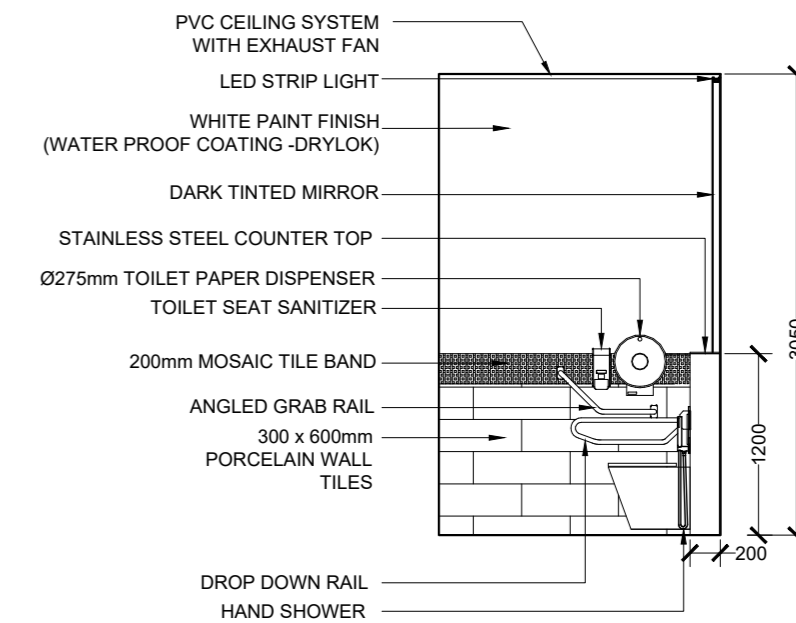
**ELEVATION A**



**ELEVATION B**

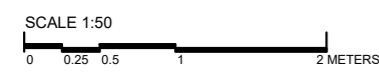


**ELEVATION C**



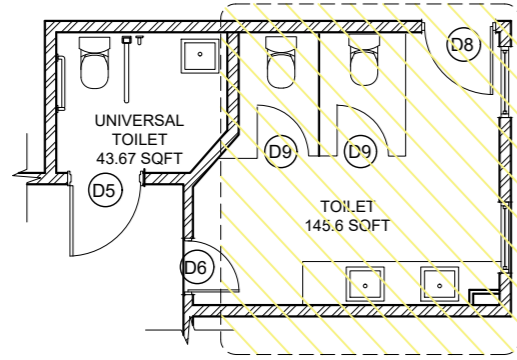
**ELEVATION D**

**PUBLIC UNIVERSAL TOILET  
LARGE SCALE VIEWS**

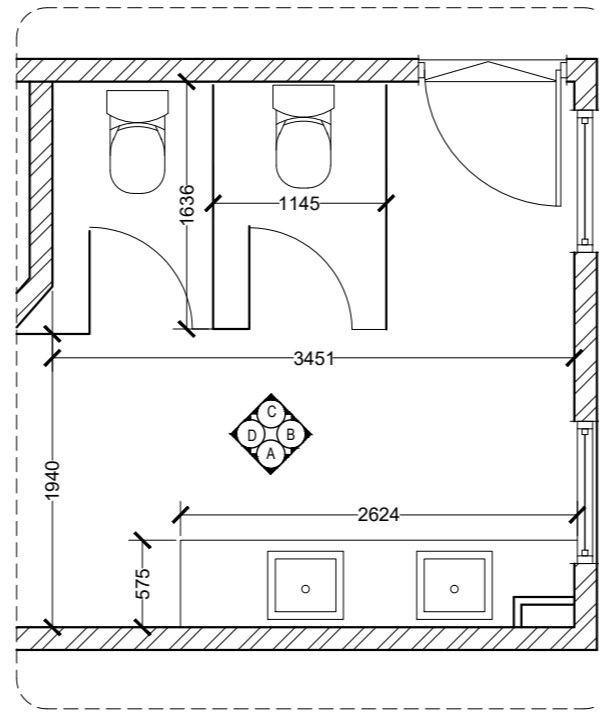


<p><b>MTC</b> MALDIVES TRANSPORT &amp; CONTRACTING COMPANY PLC</p> <p><small>PLANNING, DESIGN AND DEVELOPMENT SECTION CONSTRUCTION AND PROJECTS MANAGEMENT DEPARTMENT MPCO TOWER, BODU THORU, MALÉ, MALDIVES REPUBLIC OF MALDIVES PHONE: +960 333 3832 FAX: +960 333 3835 E-MAIL: design@mtcc.com.mv</small></p>	<p>PROJECT TITLE <b>RUNGOOFAARU REGIONAL HOSPITAL EXTENSION</b></p>	<p>CLIENT &amp; ADDRESS <b>MINISTRY OF HEALTH</b></p>	<p>DESIGN ARCHITECT: SURVEYING, DESIGN AND DEVELOPMENT SECTION</p>	<p>ENGINEER: IBRAHIM THOAM</p>	<p>STRUCTURAL CHECKER: ABDULLA RAMEEZ</p>	<p>ARCHITECT: AMNATH ZOONA</p>	<p>ARCHITECTURAL CHECKER: IRUFAAN WAHEED</p>	<p>PAPER SCALE A2 AS GVN</p>	<p>DATE 16-07-20</p>	<p>DATE</p>	<p>APPR</p>	<p>SHEET IDENTIFICATION NUMBER <b>A4.01</b></p>
	<p>DRAWING TITLE AS GIVEN</p>	<p>PROJECT LOCATION RUNGOOFAARU</p>	<p>DRAWN BY: HASSAN SHAHULAN</p>	<p>CHECKED BY: AMINATH SAMAHA</p>	<p>DESCRIPTION</p>	<p>DATE</p>	<p>APPR</p>	<p>SHEET TITLE 14</p>				

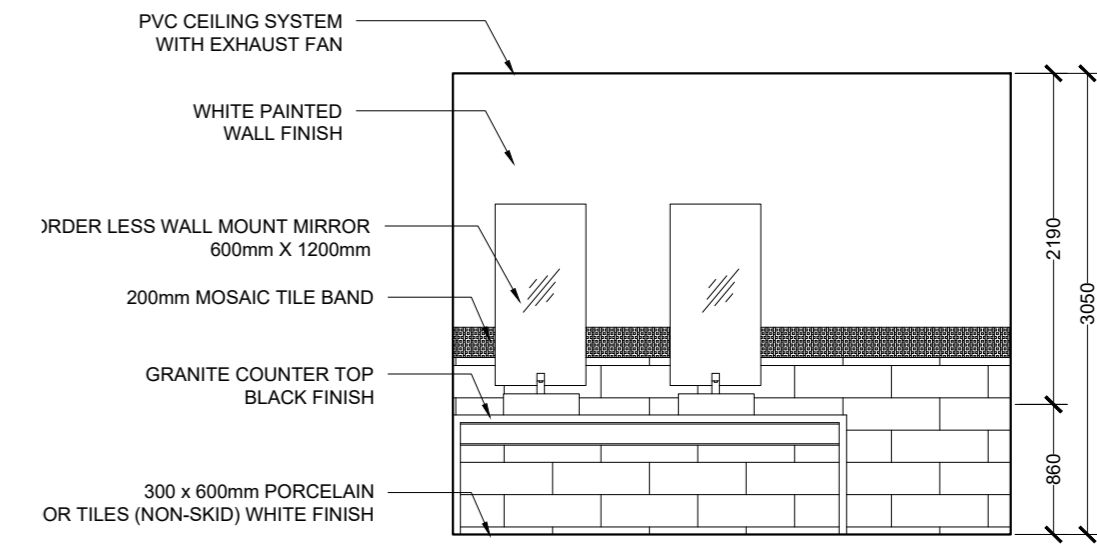
COPYRIGHT All plans, sketches, drawings, graphic representations and specifications prepared by the Architect(s) & Engineer(s) are instruments of service. The copyright and ownership of both the design and these instruments of service belong to the Architect(s) & Engineer(s) and may not be used for any other project, or sold, or offered for sale by any party other than the Architect/Engineer unless the Architect/Engineer has given written consent. Copies of the documents submitted to the client prepared by the Architect/Engineer might be used as they were intended, once, and on the same site and project.



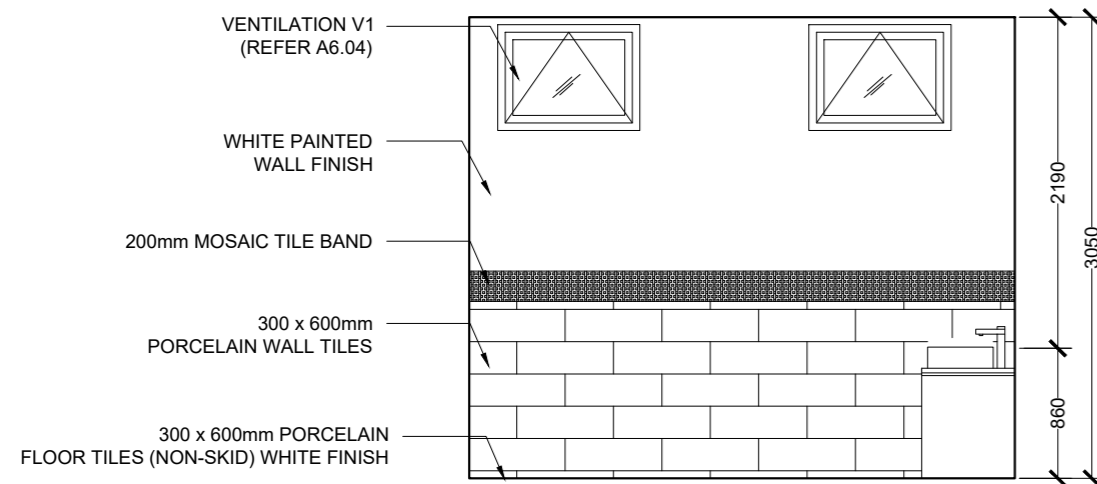
**KEY PLAN**  
SCALE 1:100



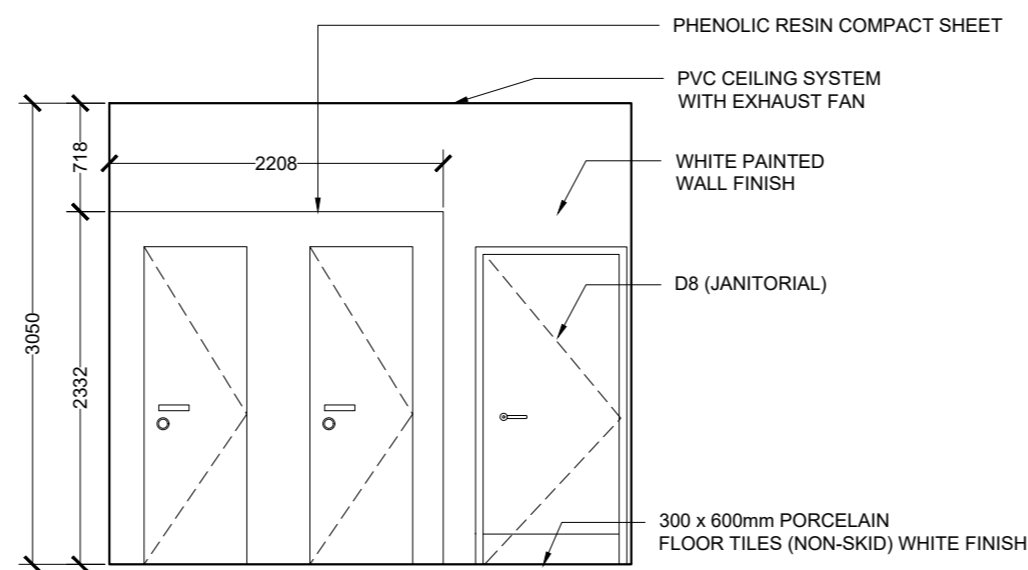
**FLOOR PLAN**



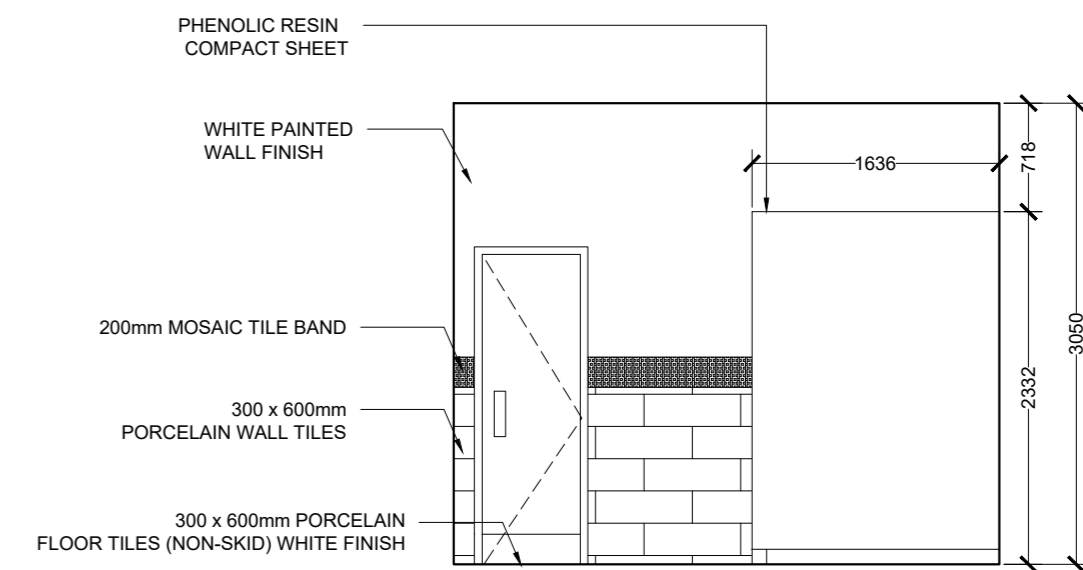
**ELEVATION A**



**ELEVATION B**

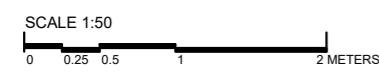


**ELEVATION C**



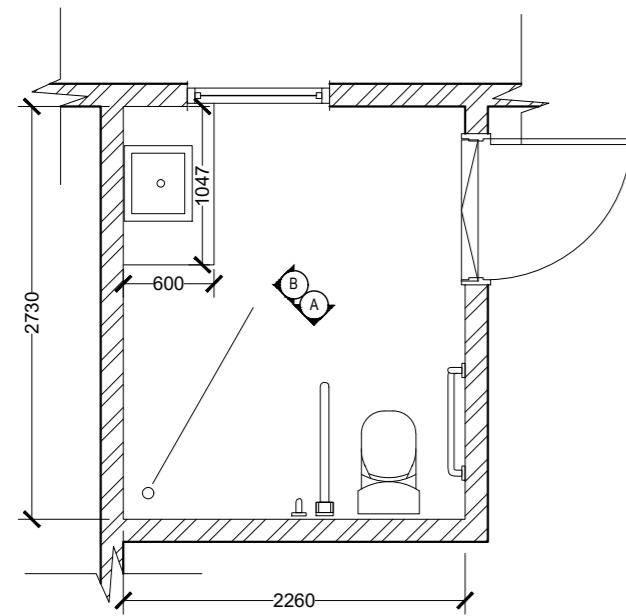
**ELEVATION D**

**PUBLIC TOILETS  
LARGE SCALE VIEWS**

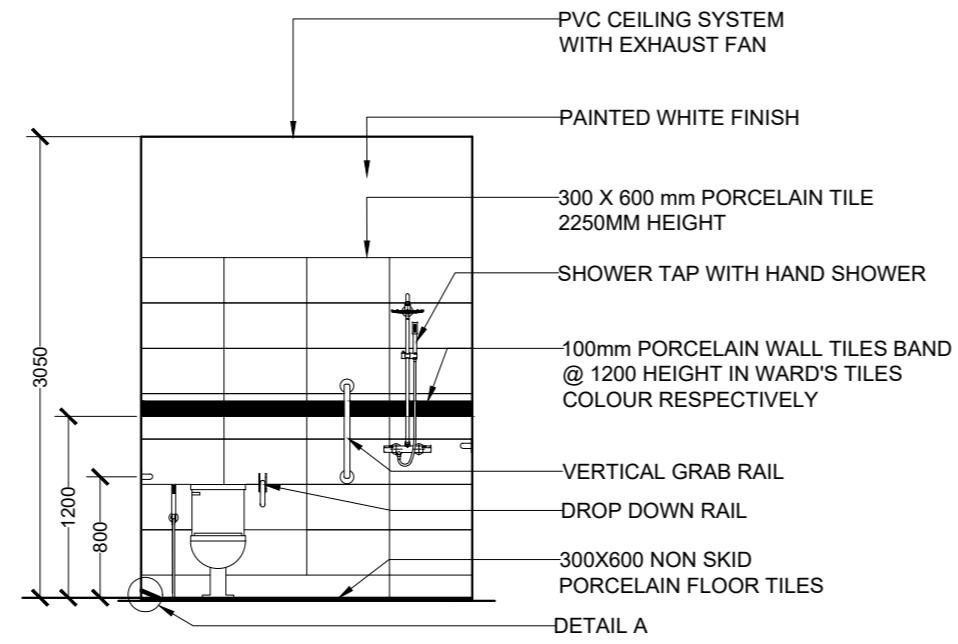


<p><b>M T C C</b> MALDIVES TRANSPORT &amp; CONTRACTING COMPANY PLC</p> <p>DESIGN, SURVEYING AND DEVELOPMENT SECTION CONSTRUCTION AND PROJECTS MANAGEMENT DEPARTMENT MTC TOWER, KODU THORUPPAWU, MALE' 20148 REPUBLIC OF MALDIVES PHONE: (960) 332 8822 FAX: (960) 333 2855 E-MAIL: design.development@mtrcc.com.mv</p>	<p>PROJECT TITLE <b>R.UNGOOFAARU REGIONAL HOSPITAL EXTENSION</b></p>	<p>CLIENT &amp; ADDRESS <b>MINISTRY OF HEALTH</b></p>	<p>DESIGN ARCHITECT: SURVEYING, DESIGN AND DEVELOPMENT SECTION</p> <p>ENGINEER: IBRAHIM THOAM</p> <p>ARCHITECT: AMINATH ZOONA</p> <p>DRAWN BY: HASSAN SHAHULAN</p>	<p>STRUCTURAL CHECKER: ABDULLA RAMEEZ</p> <p>ARCHITECTURAL CHECKER: IRUFAAN WAHEED</p> <p>CHECKED BY: AMINATH SAMAHA</p>	<p>PAPER A2</p> <p>SCALE AS GVN</p> <p>DATE 16-07-20</p>	<table border="1"> <thead> <tr> <th>REV</th> <th>DESCRIPTION</th> <th>DATE</th> <th>APPR</th> </tr> </thead> <tbody> <tr><td> </td><td> </td><td> </td><td> </td></tr> <tr><td> </td><td> </td><td> </td><td> </td></tr> <tr><td> </td><td> </td><td> </td><td> </td></tr> <tr><td> </td><td> </td><td> </td><td> </td></tr> <tr><td> </td><td> </td><td> </td><td> </td></tr> <tr><td> </td><td> </td><td> </td><td> </td></tr> <tr><td> </td><td> </td><td> </td><td> </td></tr> <tr><td> </td><td> </td><td> </td><td> </td></tr> <tr><td> </td><td> </td><td> </td><td> </td></tr> <tr><td> </td><td> </td><td> </td><td> </td></tr> </tbody> </table>	REV	DESCRIPTION	DATE	APPR																																									<p>SHEET IDENTIFICATION NUMBER <b>A4.02</b></p> <p>SHEET TITLE 15</p>
	REV	DESCRIPTION	DATE	APPR																																															
<p><small>COPYRIGHT All plans, sections, drawings, graphic representations and specifications prepared by the Architect(s) &amp; Engineer(s) are instruments of service. The copyright and ownership of both the design and these instruments of service belong to the Architect(s) &amp; Engineer(s) and may not be used for any other project, or sold, or offered for sale by any party other than the Architect/Engineer unless the Architect/Engineer has given written consent. Copies of the documents submitted to the client prepared by the Architect/Engineer made up as they were intended, once, and on the same site and project.</small></p>																																																			

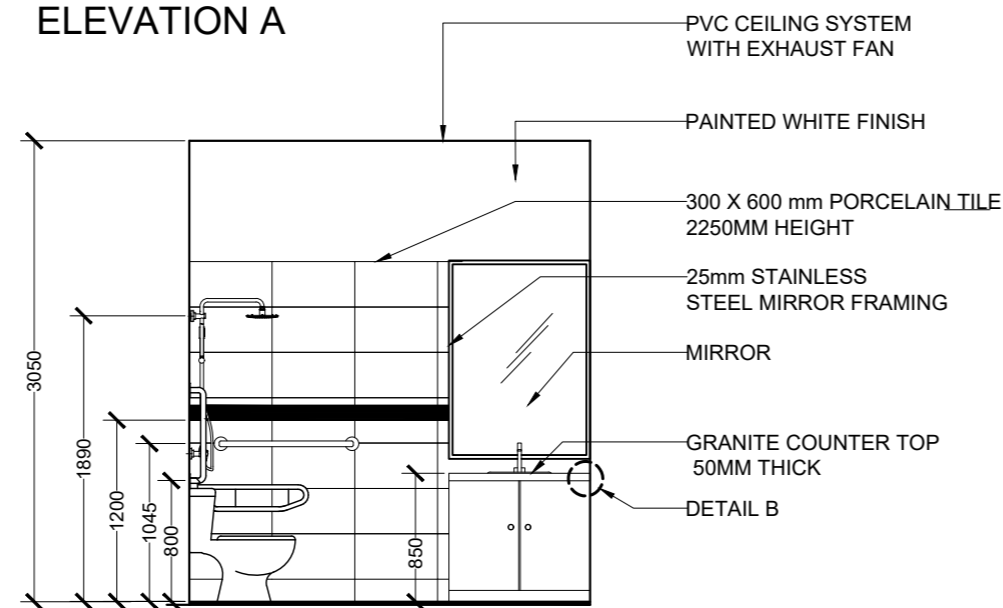




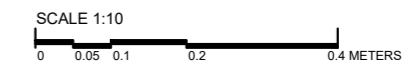
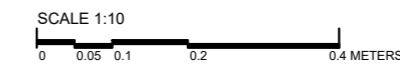
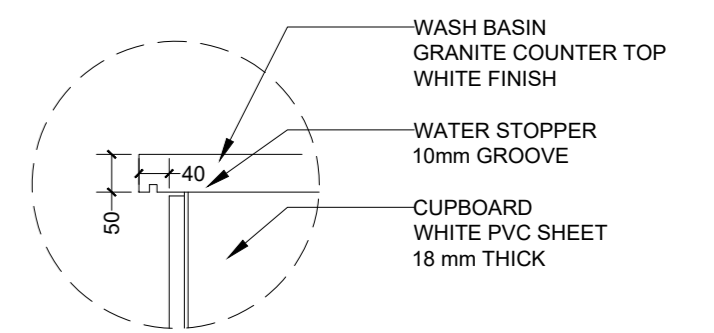
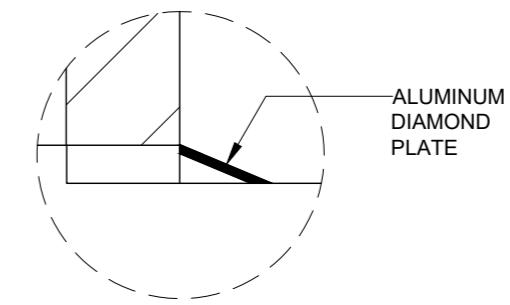
FLOOR PLAN



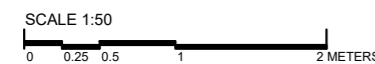
ELEVATION A




ELEVATION B

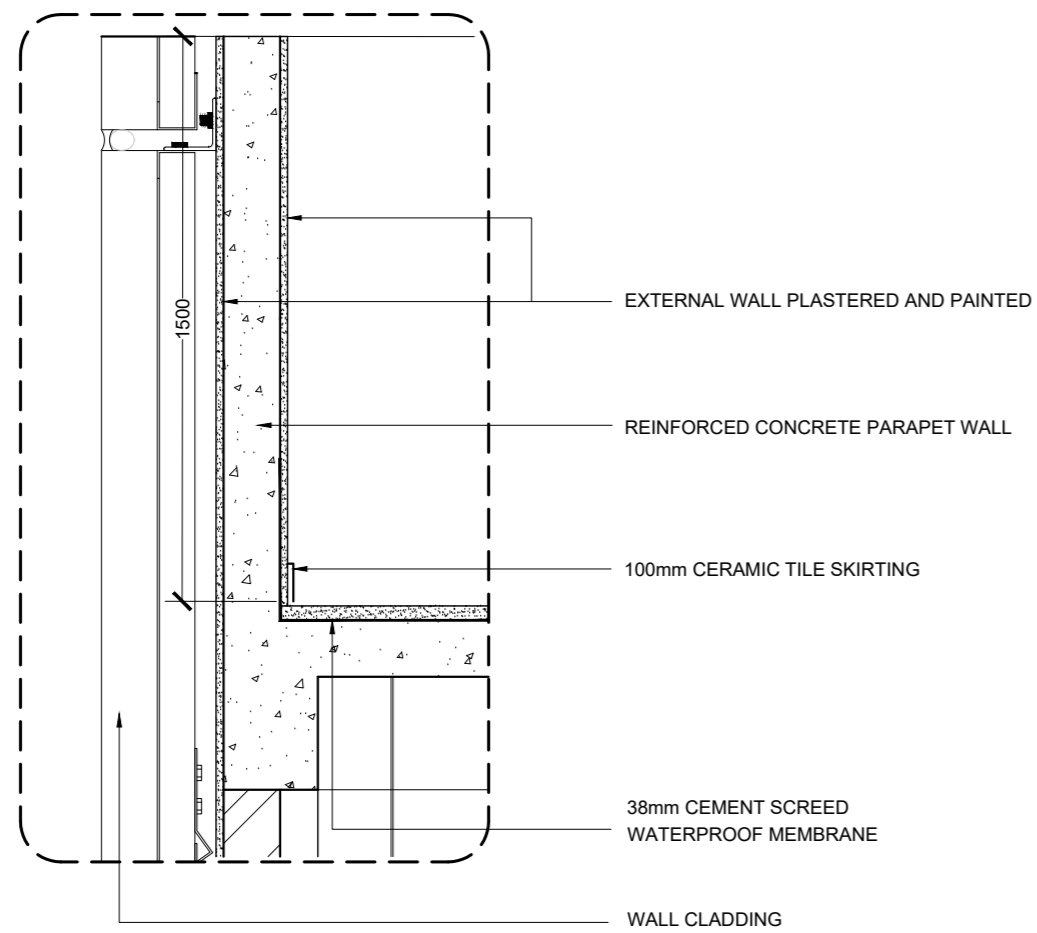


PRIVATE ROOM UNIVERSAL TOILET  
LARGE SCALE VIEWS



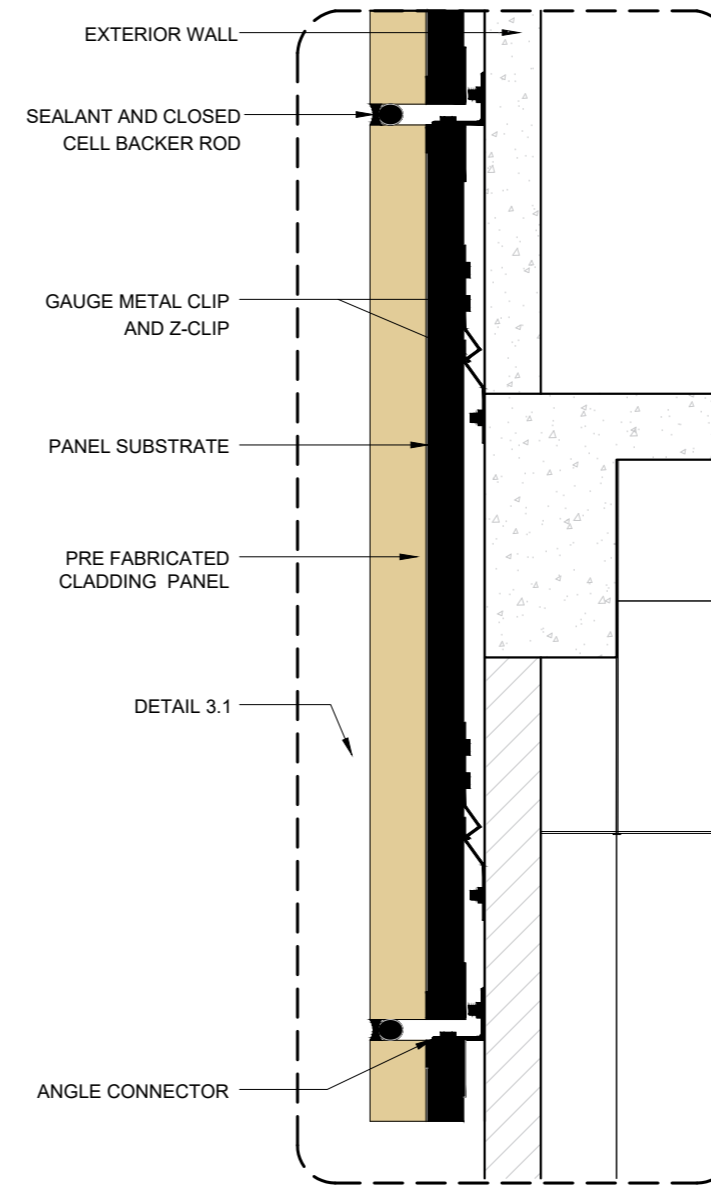
 <p><b>MTCC</b> MALDIVES TRANSPORT &amp; CONTRACTING COMPANY PLC</p> <p><small>PLANNING DESIGN AND DEVELOPMENT SECTION, CONSTRUCTION AND PROJECTS MANAGEMENT DEPARTMENT, MTCC TOWER, BODU THANGUJALANU, MAJULU, MALÉ 20181, REPUBLIC OF MALDIVES. PHONE: +960 332 6823 FAX: +960 333 2635 E-MAIL: design@mtcc.com.mv</small></p>	<p>PROJECT TITLE R.UNGOOFAARU REGIONAL HOSPITAL EXTENSION</p>	<p>CLIENT &amp; ADDRESS MINISTRY OF HEALTH</p>	<p>DESIGN ARCHITECT: SURVEYING, DESIGN AND DEVELOPMENT SECTION</p>	<p>ENGINEER: IBRAHIM THOAM</p>	<p>STRUCTURAL CHECKER: ABDULLA RAMEEZ</p>	<p>ARCHITECT: AMINATH ZOONA</p>	<p>ARCHITECTURAL CHECKER: IRUFAN WAHEED</p>	<p>PAPER SCALE A2 AS GVN</p>	<p>DATE 16-07-20</p>	<p>REV</p>	<p>DESCRIPTION</p>	<p>DATE</p>	<p>APPR</p>	<p>SHEET IDENTIFICATION NUMBER <b>A4.03</b></p>
	<p>DRAWING TITLE AS GIVEN</p>	<p>PROJECT LOCATION R.UNGOOFAARU</p>	<p>ARCHITECT: HASSAN SHAHULAN</p>	<p>CHECKED BY: AMINATH SAMAHA</p>	<p>DATE 16-07-20</p>	<p>DATE</p>	<p>APPR</p>	<p>SHEET TITLE 16</p>						

COPYRIGHT All plans, sections, drawings, graphic representations and specifications prepared by the Architect(s) & Engineer(s) are instruments of service. The copyright and ownership, or both the design and these instruments of service belong to the Architect(s) & Engineer(s) and may not be used for any other project, or site, or offered for sale by any party other than the Architect/Engineer unless the Architect/Engineer has given written consent. Copies of the documents submitted to the Client prepared by the Architect/Engineer may be used as they were intended, or on the same site and project.



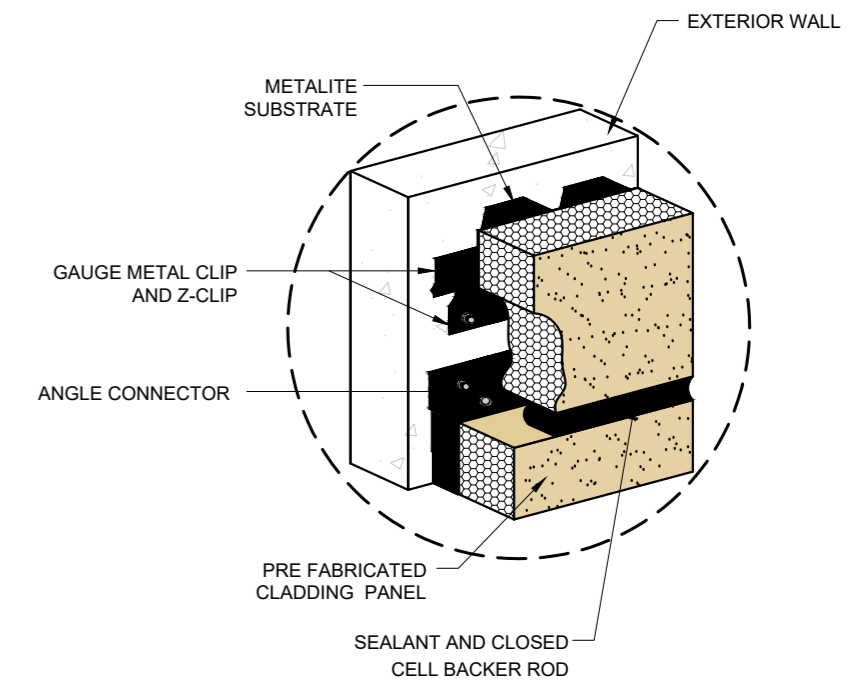
PARAPET WALL  
(DETAIL 2)

SCALE 1:20  
0 0.1 0.2 0.4




BUILDING EXTERIOR CLADDING  
(DETAIL 3)

SCALE 1:20  
0 0.1 0.2 0.4 0.8 METERS



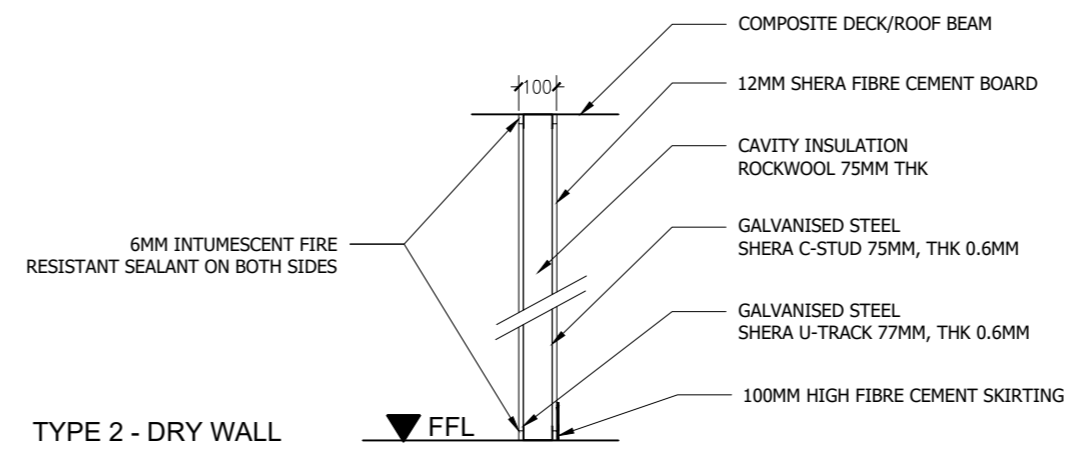
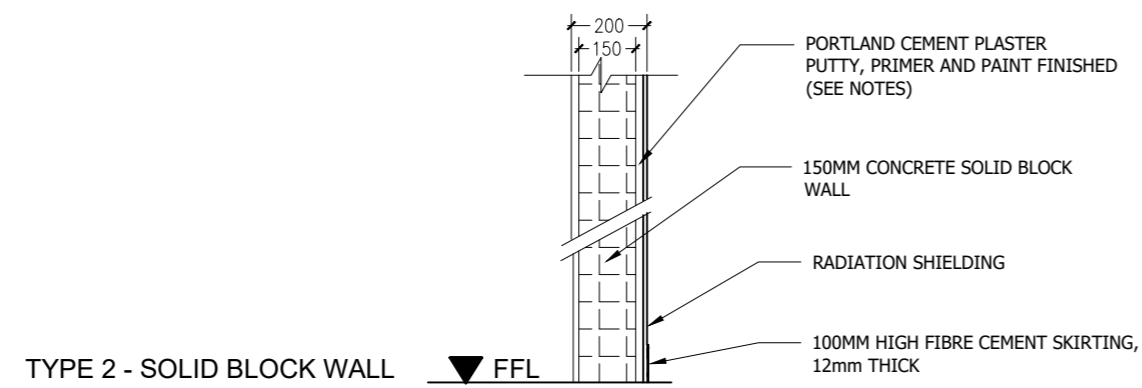
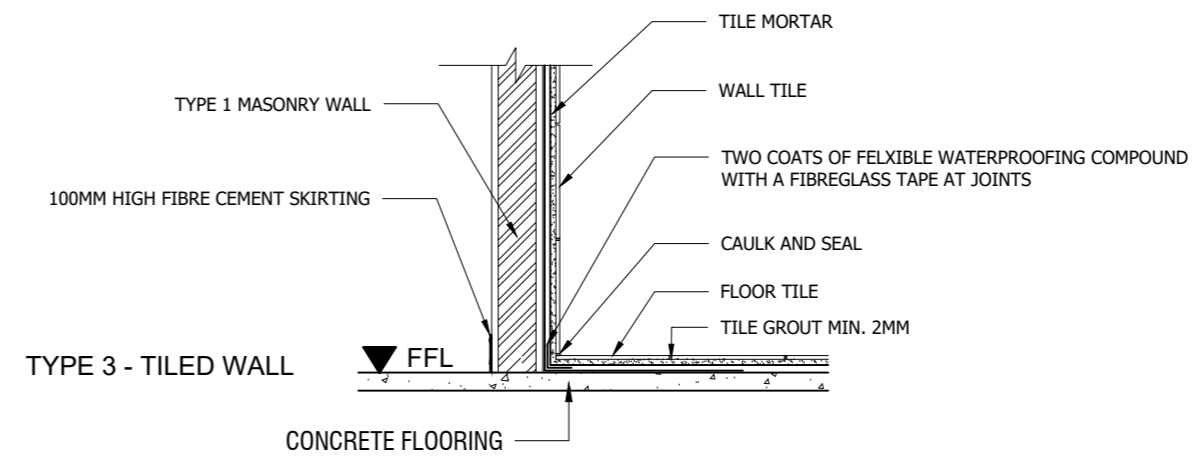
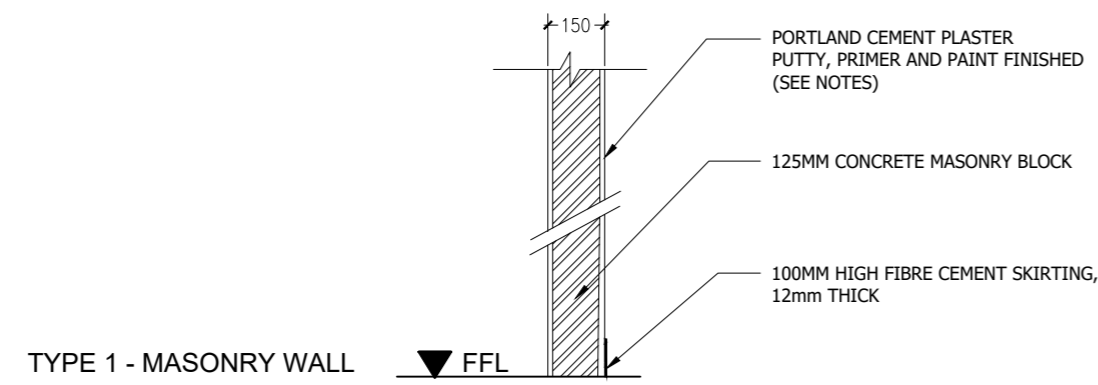
BUILDING EXTERIOR CLADDING  
(DETAIL 3.1)

SCALE 1:20  
0 0.1 0.2 0.4 0.8 METERS

 <b>MTCC</b> MALDIVES TRANSPORT & CONTRACTING COMPANY PLC <small>SURVEY DESIGN AND DEVELOPMENT SECTION          CONSTRUCTION AND PROJECTS MANAGEMENT DEPARTMENT          MTCC TOWER, BODU TRAFALGAMA, MALÉ 20143          REPUBLIC OF MALDIVES          PHONE: +960 333 8022 FAX: +960 333 3825          E-MAIL: design@mtccplc.com.mv</small>	PROJECT TITLE R.UNGOOFAARU REGIONAL HOSPITAL EXTENSION	CLIENT & ADDRESS MINISTRY OF HEALTH	DESIGN ARCHITECT: SURVEYING, DESIGN AND DEVELOPMENT SECTION	REV	DESCRIPTION	DATE	APPR	SHEET IDENTIFICATION NUMBER <b>A5.01</b> SHEET TITLE 17
	DRAWING TITLE AS GIVEN	PROJECT LOCATION R.UNGOOFAARU	ENGINEER: IBRAHIM THOAM	STRUCTURAL CHECKER: ABDULLA RAMEEZ				
			ARCHITECT: AMINATH ZOONA	ARCHITECTURAL CHECKER: IRUFAN WAHEED	PAPER A2	SCALE AS GVN		
			DRAWN BY: HASSAN SHAHULAN	CHECKED BY: AMINATH SAMAHA	DATE 16-07-20			

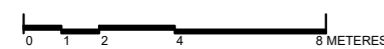
COPYRIGHT All plans, sketches, drawings, graphic representations and specifications prepared by the Architect(s) & Engineer(s) are instruments of service. The copyright and ownership of both the design and these instruments of service belong to the Architect(s) & Engineer(s) and may not be used for any other project or sold, or offered for sale by any party other than the Architect/Engineer unless the Architect/Engineer has given written consent. Copies of the documents submitted to the client prepared by the Architect/Engineer may be used as they were intended, once, and on the same site and project.






## WALL TYPES

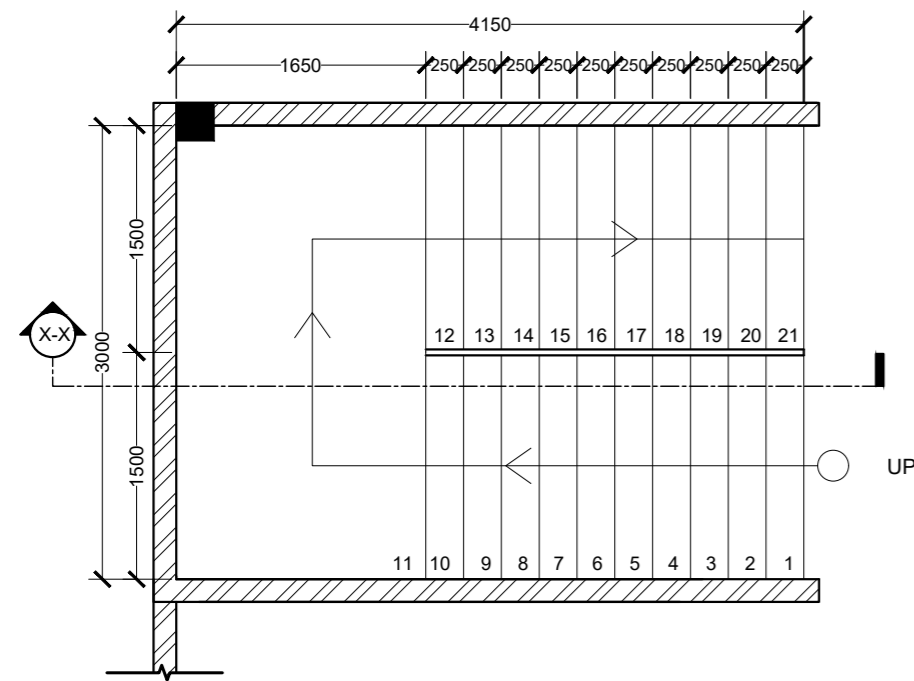
SCALE 1:100



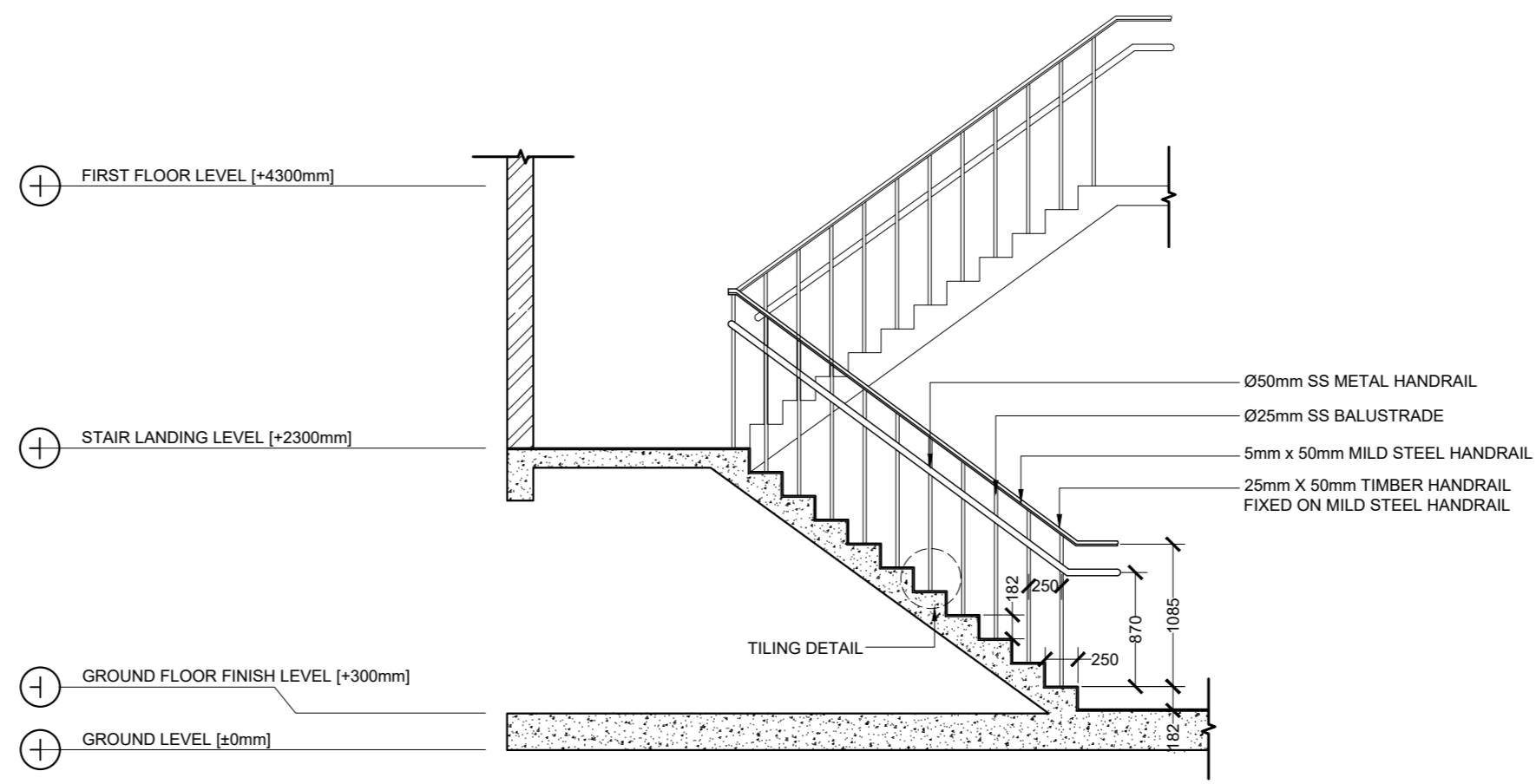
### IMPORTANT NOTES:

- CHECK THE SURFACES FOR INGRESS OF DAMPNES OR WATER, INCLUDING SEEPAGE.
- ARREST THE WATER PROBLEM.
- ENSURE PROPER CURING OF MASONRY WALLS BEFORE TAKING UP PLASTERING WORKS.
- ENSURE PROPER CURING OF PLASTERED SURFACE.
- USE WATER-PROOFING ADMIXTURE WHILE PLASTERING OF WALLS FALLING UNDER HIGH MOISTURE ZONE.
- REMOVE LOOSE PATCH OF PLASTER IF ANY AND RE-PLASTER WITH CARE. PLASTERING LAYER AFTER DRYING SHOULD NOT SOUND HOLLOW WHEN TAPPED.
- ENSURE WALLS ARE FULLY DRY BEFORE TAKING UP ANY PAINTING WORK.
- SELECT PROPER TYPE OF WALL PRIMER COMPATIBLE WITH THE TYPE OF PAINT USED. FOLLOW MANUFACTURER INSTRUCTIONS FOR APPLICATION.

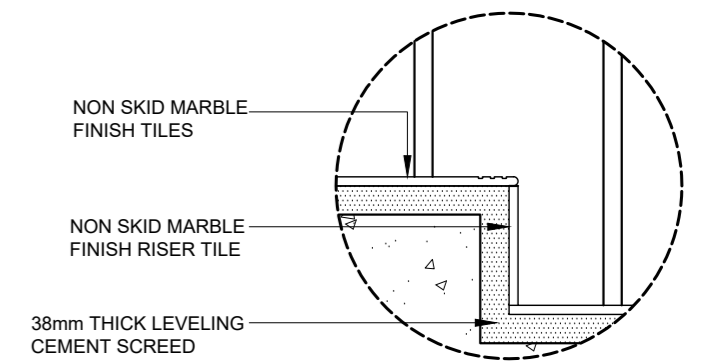
 <b>MTCC</b> <b>MALDIVES TRANSPORT &amp; CONTRACTING COMPANY PLC</b> <small>GENERAL DESIGN AND DEVELOPMENT SECTION  CONSTRUCTION AND PROJECTS MANAGEMENT DEPARTMENT  MTCC TOWER, BODU THARUVAHANGI, MALE, MALDIVES 20181  REPUBLIC OF MALDIVES  PHONE: +960 333 8822 FAX: +960 333 2820  E-MAIL: design@mtccplc.com.mv</small>	PROJECT TITLE R.UNGOOFAARU REGIONAL HOSPITAL EXTENSION	CLIENT & ADDRESS MINISTRY OF HEALTH	DESIGN ARCHITECT: SURVEYING, DESIGN AND DEVELOPMENT SECTION	REV	DESCRIPTION	DATE	APPR	SHEET IDENTIFICATION NUMBER <b>A5.03</b> SHEET TITLE 19
	DRAWING TITLE AS GIVEN	PROJECT LOCATION R.UNGOOFAARU	ENGINEER: IBRAHIM THOAM	STRUCTURAL CHECKER: ABDULLA RAMEEZ				
			ARCHITECT: AMINATH ZOONA					
			ARCHITECTURAL CHECKER: IRUFAN WAHEED	PAPER A2	SCALE AS GVN			
			DRAWN BY: HASSAN SHAHULAN	CHECKED BY: AMINATH SAMAHA	DATE 16-07-20			



PLAN VIEW



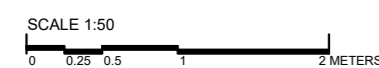
SECTION VIEW



TILTING DETAIL

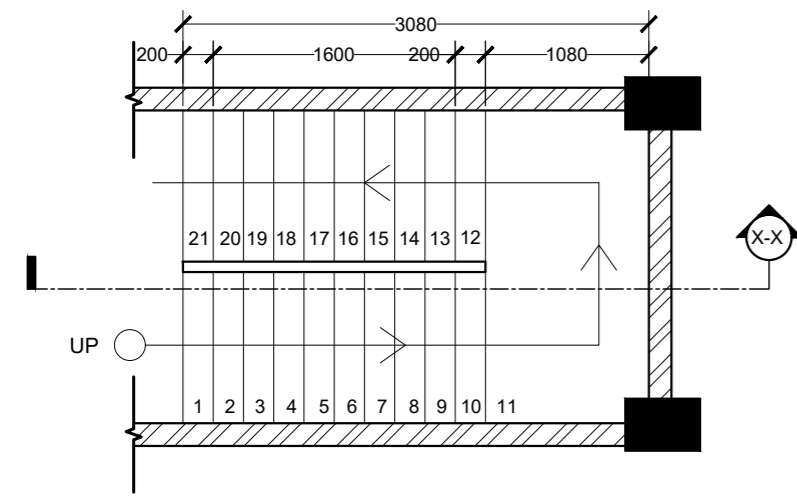
SCALE 1:10

MAIN STAIR CASE DETAIL

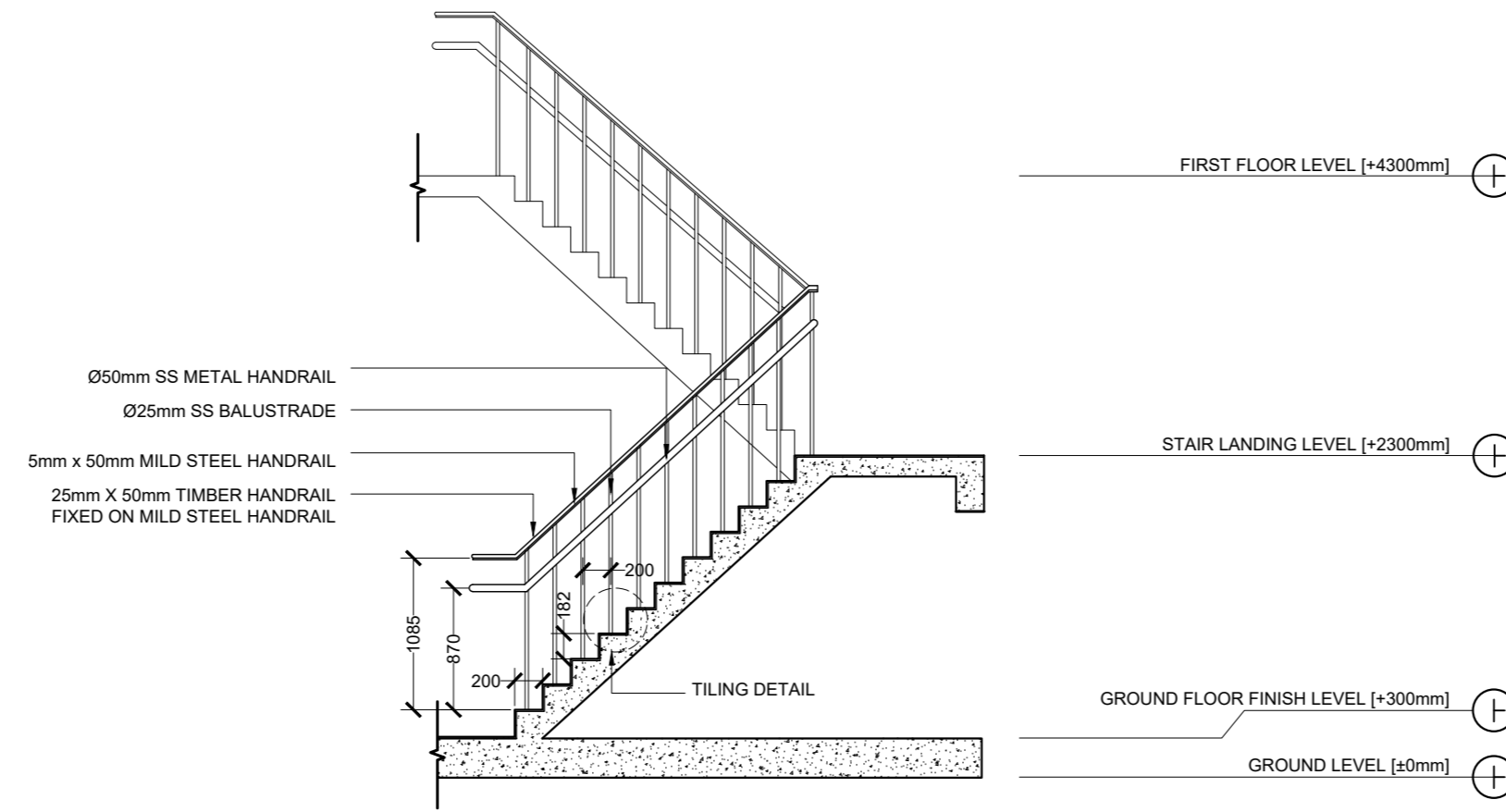


<p><b>MTCC</b> MALDIVES TRANSPORT &amp; CONTRACTING COMPANY PLC</p> <p><small>SURVEY DESIGN AND DEVELOPMENT SECTION CONSTRUCTION AND PROJECTS MANAGEMENT DEPARTMENT MTC TOWER, BOOJI THAKURU FANJU MAGU, MALE 20181, REPUBLIC OF MALDIVES. PHONE - (960) 332 9822 FAX - (960) 333 2833 E.MAIL: design@mtcc.com.mv</small></p>	<p>PROJECT TITLE R.UNGGOFAARU REGIONAL HOSPITAL EXTENSION</p>	<p>CLIENT &amp; ADDRESS MINISTRY OF HEALTH</p>	<p>DESIGN ARCHITECT: SURVEYING, DESIGN AND DEVELOPMENT SECTION</p>	<p>ENGINEER: IBRAHIM THOAM</p>	<p>STRUCTURAL CHECKER: ABDULLA RAMEEZ</p>	<p>ARCHITECT: AMNATH ZOONA</p>	<p>ARCHITECTURAL CHECKER: IRUFAAN WAHEED</p>	<p>PAPER SCALE A2 AS GVN</p>	<p>DATE 16-07-20</p>	<p>DATE</p>	<p>APPR</p>	<p>SHEET IDENTIFICATION NUMBER <b>A5.04</b></p>
	<p>DRAWING TITLE AS GIVEN</p>	<p>PROJECT LOCATION R.UNGGOFAARU</p>	<p>DRAWN BY: HASSAN SHAHULAN</p>	<p>CHECKED BY: AMNATH SAMAHA</p>	<p>DESCRIPTION</p>	<p>DATE</p>	<p>APPR</p>	<p>SHEET TITLE 20</p>				

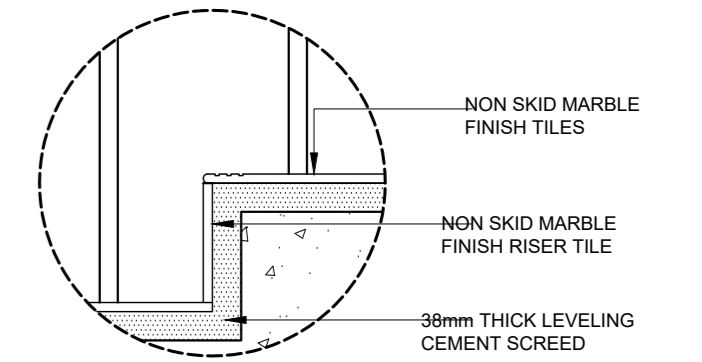
COPYRIGHT All plans, sections, drawings, graphic representations and specifications prepared by the Architect(s) & Engineer(s) are instruments of service. The copyright and ownership of both the design and these instruments of service belong to the Architect(s) & Engineer(s) and may not be used for any other project, or sold, or offered for sale by any party other than the Architect/Engineer unless the Architect/Engineer has given written consent. Copies of the documents submitted to the client prepared by the Architect/Engineer may be used as they were intended, once, and on the same site and project.



PLAN VIEW



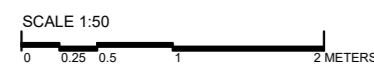
SECTION VIEW




TILTING DETAIL

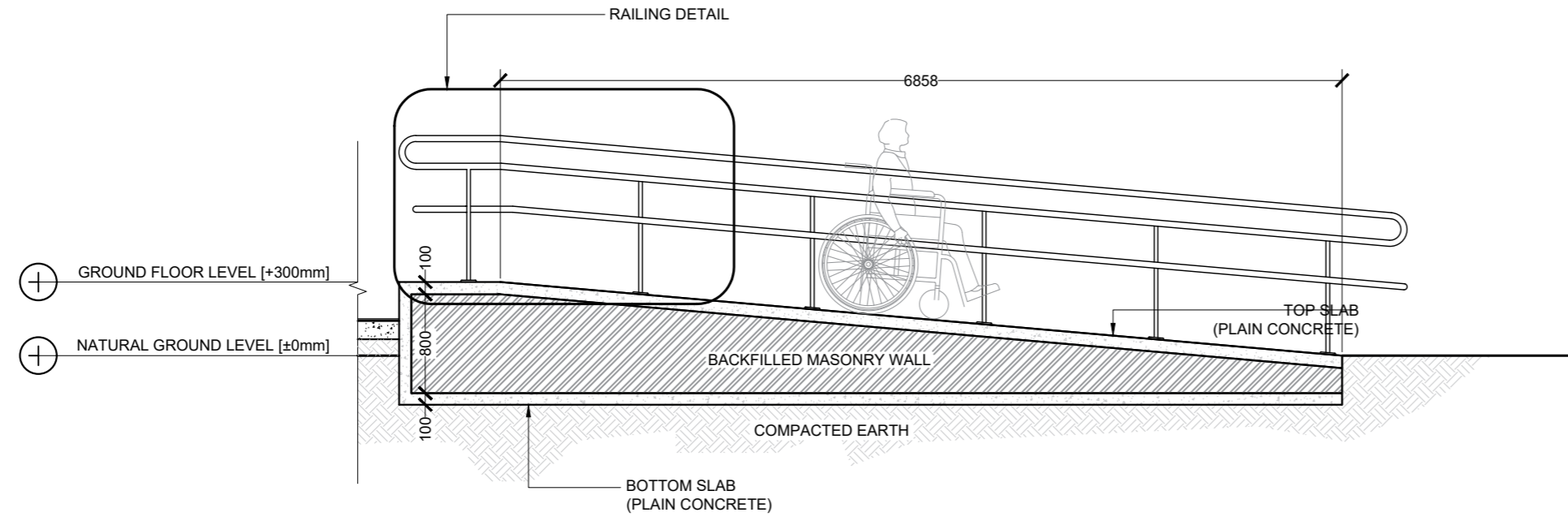
SCALE 1:10

SERVICE STAIR CASE DETAIL

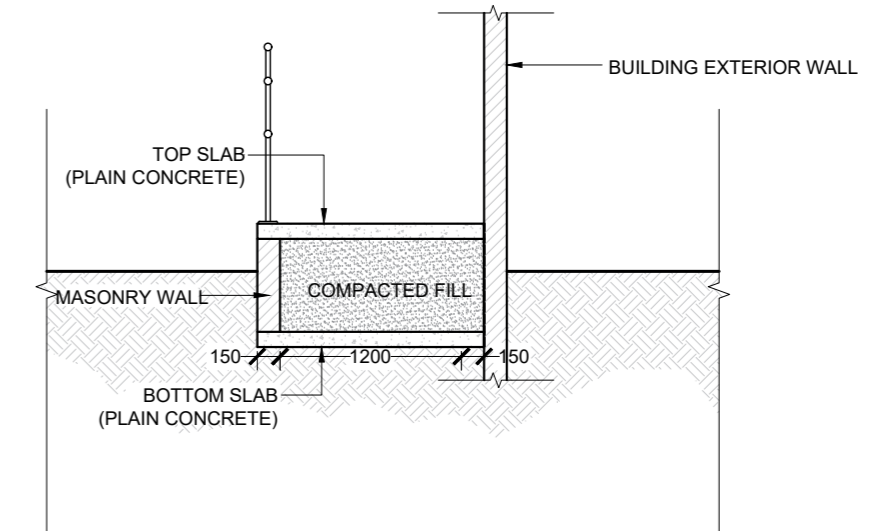
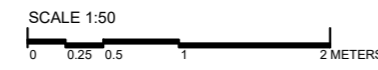


 <p><b>MTCC</b> MALDIVES TRANSPORT &amp; CONTRACTING COMPANY PLC</p> <p><small>SURVEY DESIGN AND DEVELOPMENT SECTION CONSTRUCTION AND PROJECTS MANAGEMENT DEPARTMENT MTCC TOWER, BODU THAKURUVAANGI, MALÉ 20181, REPUBLIC OF MALDIVES. PHONE: +960 333 8627 FAX: +960 333 3825 E-MAIL: design@maldivetransport.com.mv</small></p>	PROJECT TITLE R.UNGOOFAARU REGIONAL HOSPITAL EXTENSION	CLIENT & ADDRESS MINISTRY OF HEALTH	DESIGN ARCHITECT: SURVEYING, DESIGN AND DEVELOPMENT SECTION	REV	DESCRIPTION	DATE	APPR	SHEET IDENTIFICATION NUMBER <b>A5.05</b> SHEET TITLE 21
	DRAWING TITLE AS GIVEN	PROJECT LOCATION R.UNGOOFAARU	ENGINEER: IBRAHIM THOAM	STRUCTURAL CHECKER: ABDULLA RAMEEZ				
			ARCHITECT: AMINATH ZOONA	ARCHITECTURAL CHECKER: IRUFAAN WAHEED	PAPER A2	SCALE AS GWN		
			DRAWN BY: HASSAN SHAHULAN	CHECKED BY: AMINATH SAMAHA	DATE 16-07-20			

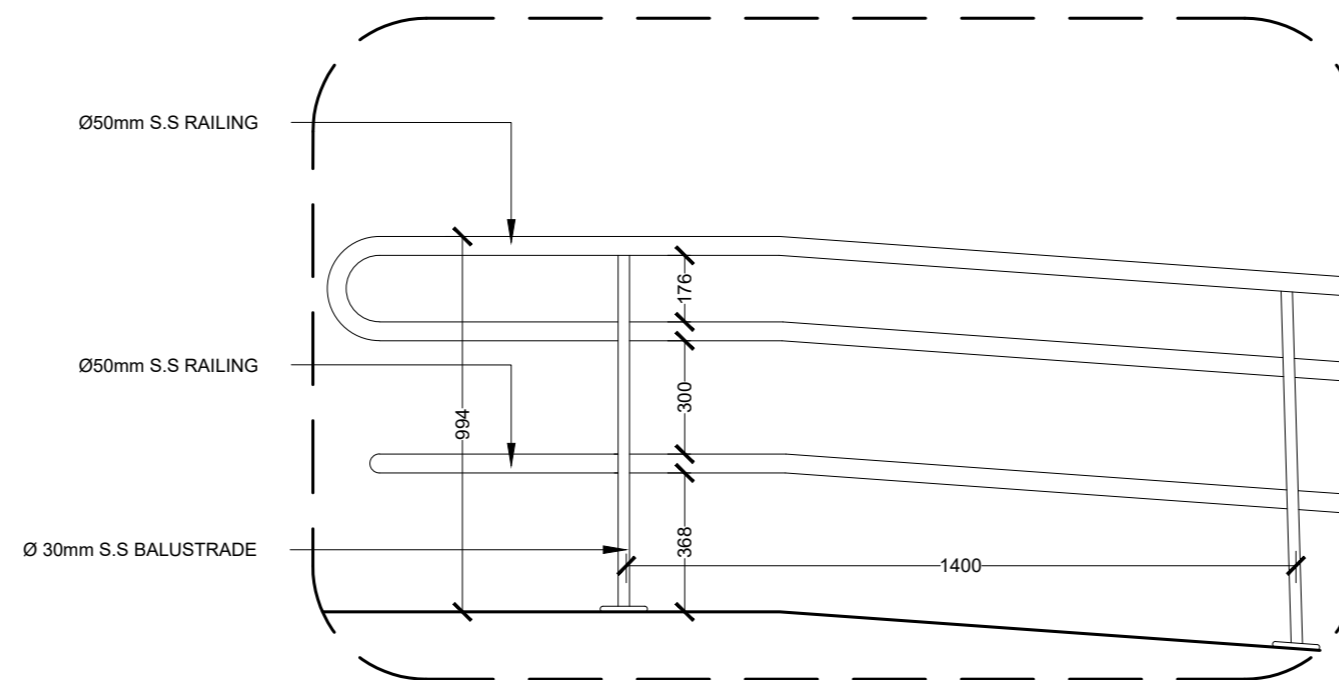
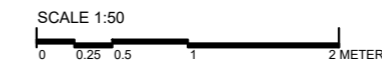
COPYRIGHT All plans, sketches, designs, graphic representations and specifications prepared by the Architect(s) & Engineer(s) are instruments of service. The copyright and ownership of both the design and these instruments of service belong to the Architect(s) & Engineer(s) and may not be used for any other project, or sold, or offered for sale by any party other than the Architect/Engineer unless the Architect/Engineer has given written consent. Copies of the documents submitted to the client prepared by the Architect/Engineer may be used as they were intended, once, and on the same site and project.



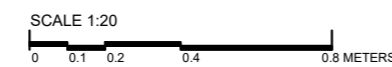
RAMP DETAIL  
LONGITUDINAL SECTION




RAMP DETAIL  
TRANSVERSE SECTION

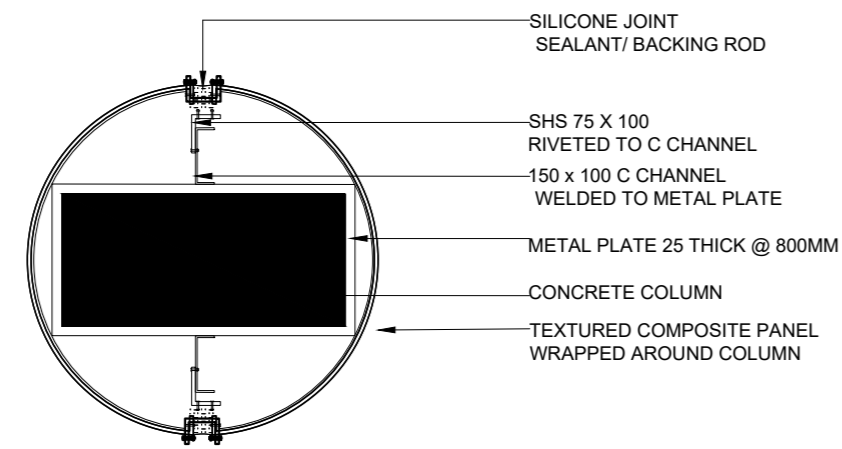


RAMP RAILING DETAIL



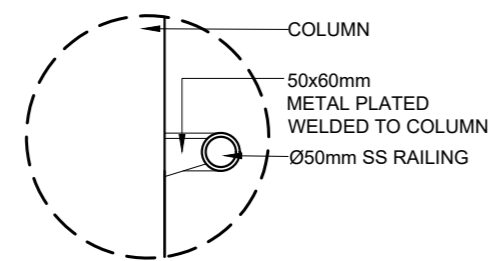
 <p><b>MTCC</b> MALDIVES TRANSPORT &amp; CONTRACTING COMPANY PLC</p> <p><small>SURVEY DESIGN AND DEVELOPMENT SECTION CONSTRUCTION AND PROJECTS MANAGEMENT DEPARTMENT MINISTRY OF HEALTH REPUBLIC OF MALDIVES PHONE: +960 332 6623 FAX: +960 333 2835 E-MAIL: info@mtcc.com.mv</small></p>	PROJECT TITLE R.UNGOOFAARU REGIONAL HOSPITAL EXTENSION	CLIENT & ADDRESS MINISTRY OF HEALTH	DESIGN ARCHITECT: SURVEYING, DESIGN AND DEVELOPMENT SECTION	ENGINEER: IBRAHIM THOAM	STRUCTURAL CHECKER: ABDULLA RAMEEZ	ARCHITECT: AMINATH ZOONA	ARCHITECTURAL CHECKER: IRUFAN WAHEED	PAPER SCALE A2 AS GVN	DATE 16-07-20	REV	DESCRIPTION	DATE	APPR	SHEET IDENTIFICATION NUMBER <b>A5.06</b>
	DRAWING TITLE AS GIVEN	PROJECT LOCATION R.UNGOOFAARU	DRAWN BY: HASSAN SHAHULAN	CHECKED BY: AMINATH SAMAHA										SHEET TITLE 22

COPYRIGHT All plans, sketches, drawings, graphic representations and specifications prepared by the Architect(s) & Engineer(s) are instruments of service. The copyright and ownership of both the design and these instruments of service belong to the Architect(s) & Engineer(s) and may not be used for any other project, or sold, or offered for sale by any party other than the Architect/Engineer unless the Architect/Engineer has given written consent. Copies of the documents submitted to the client prepared by the Architect/Engineer may be used as they were intended, once, and on the same site and project.



INTERIOR COLUMN CLAD PLAN VIEW

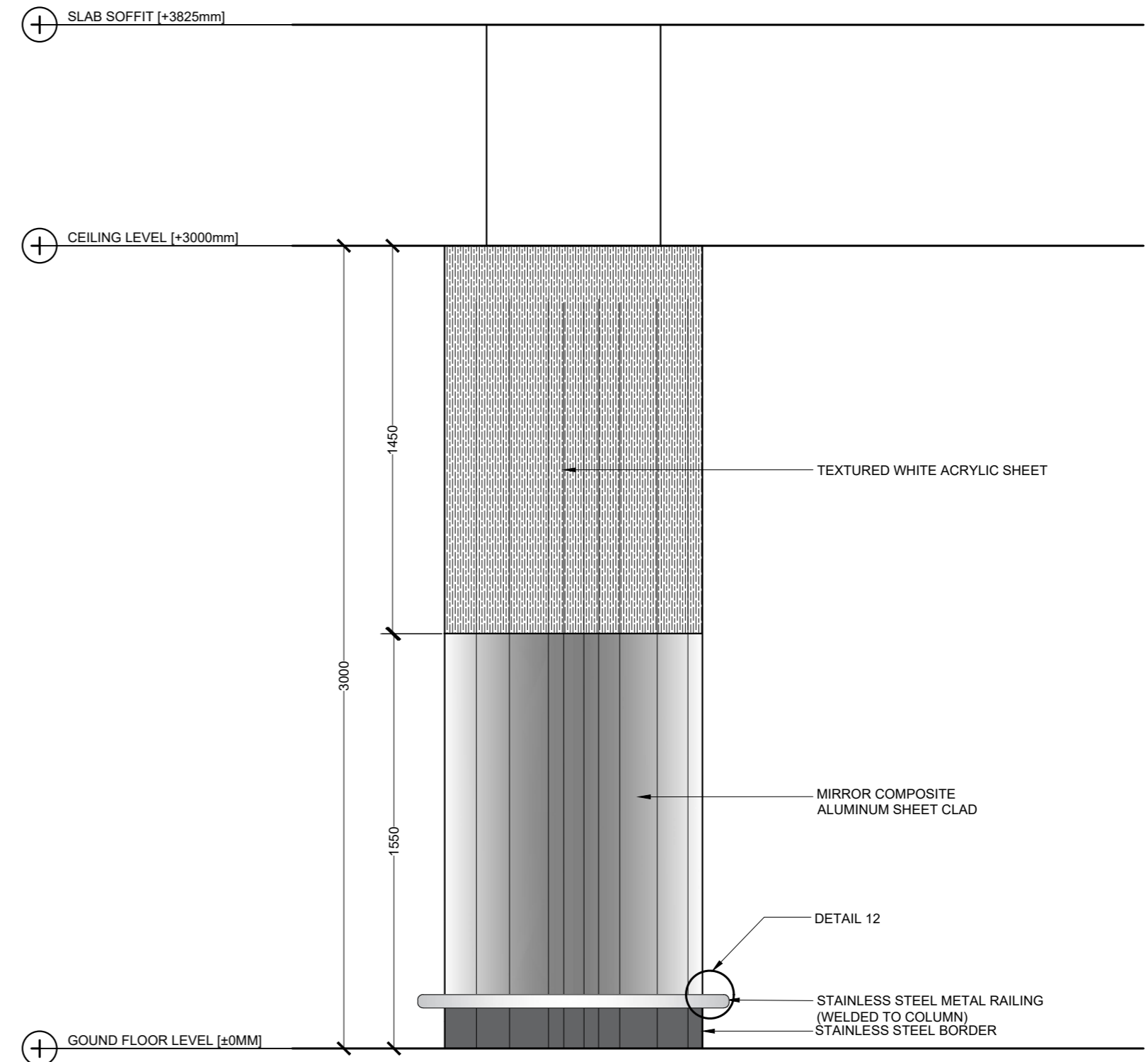
SCALE 1:20  
0 0.1 0.2 0.4 0.8 METERS



DETAIL 12  
[COLUMN SKIRTING]  
SCALE 1:10




REFERENCE IMAGE DETAIL 11



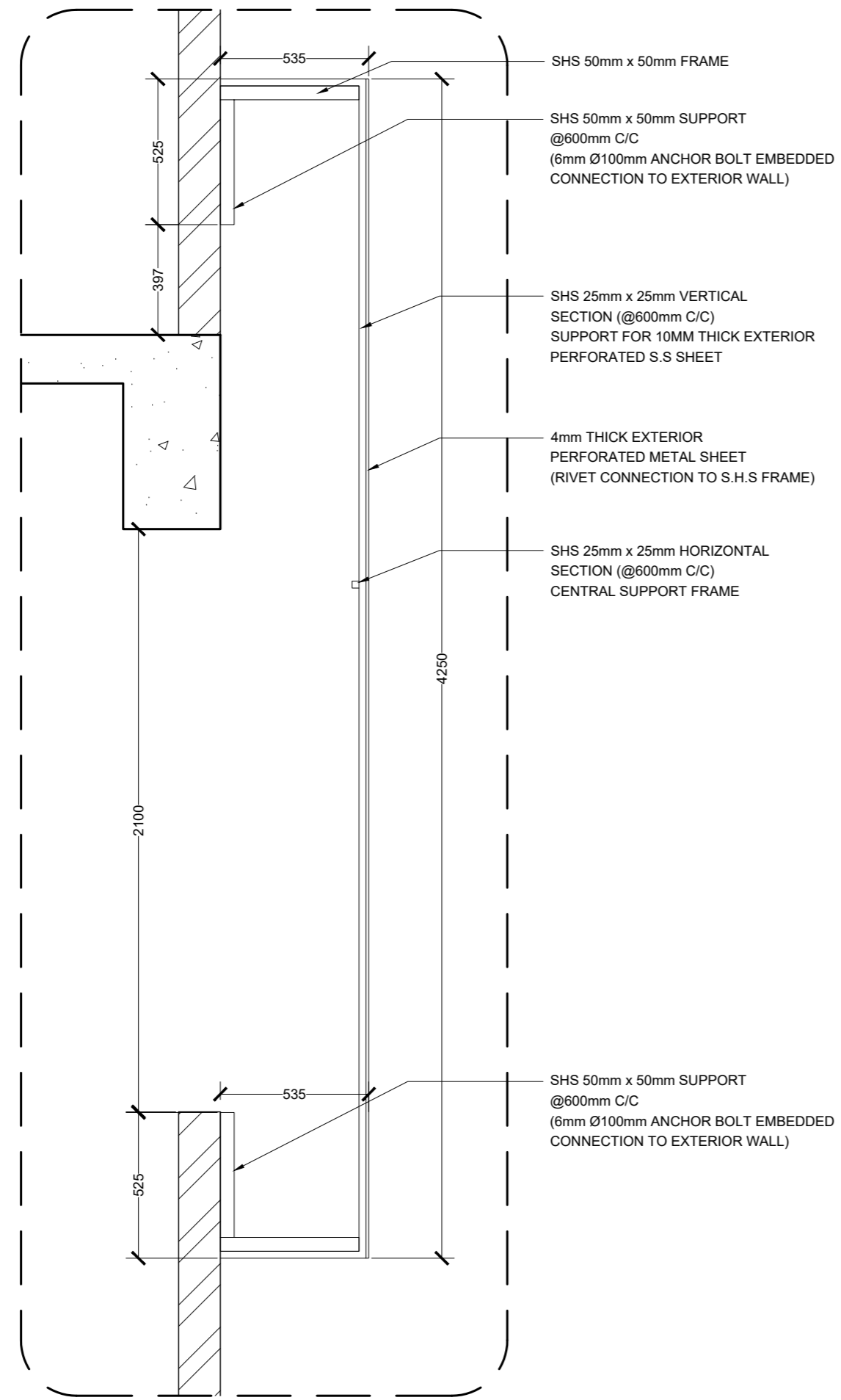
INTERIOR COLUMN CLAD ELEVATION VIEW

SCALE 1:20  
0 0.1 0.2 0.4 0.8 METERS

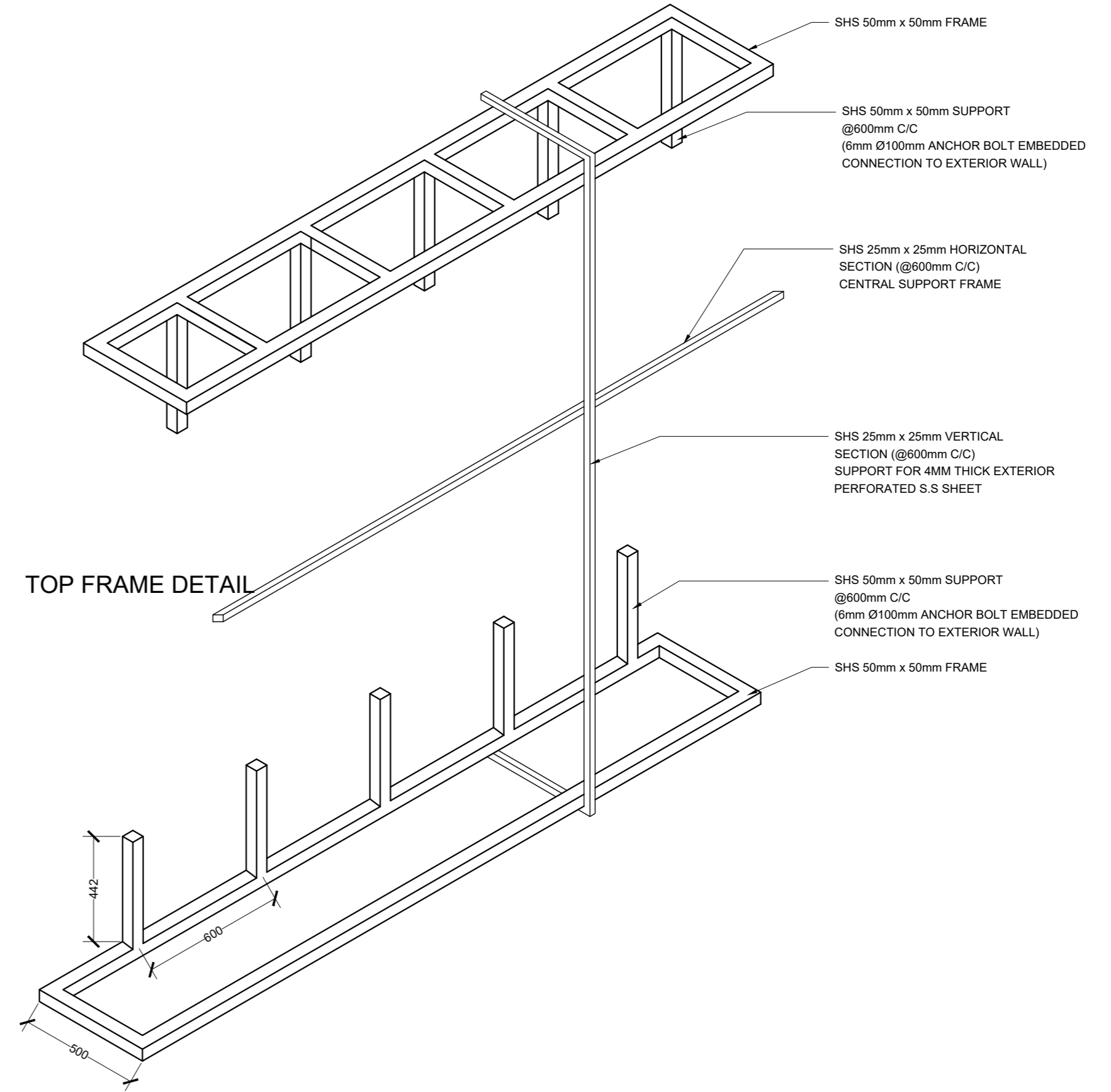
 <b>MTCC</b> MALDIVES TRANSPORT & CONTRACTING COMPANY PLC <small>SURVEY DESIGN AND DEVELOPMENT SECTION          CONSTRUCTION AND PROJECTS MANAGEMENT DEPARTMENT          MTCC TOWER BLDG. THANGURU PARADISE MALE 20191          REPUBLIC OF MALDIVES          PHONE: +960 333 6822 FAX: +960 333 2855          EMAIL: info@maldiviansmtcc.com.mv</small>	PROJECT TITLE R.UNGOOFAARU REGIONAL HOSPITAL EXTENSION	CLIENT & ADDRESS MINISTRY OF HEALTH	DESIGN ARCHITECT: SURVEYING, DESIGN AND DEVELOPMENT SECTION	ENGINEER: IBRAHIM THOAM	STRUCTURAL CHECKER: ABDULLA RAMEEZ	REVISIONS	DATE	APPR	SHEET IDENTIFICATION NUMBER <b>A5.07</b> SHEET TITLE 23
	DRAWING TITLE AS GIVEN	PROJECT LOCATION R.UNGOOFAARU	ARCHITECT: AMINATH ZOONA	ARCHITECTURAL CHECKER: IRUFAN WAHEED	PAPER A2	SCALE AS GVN	DATE 16-07-20		

COPYRIGHT: All plans, sections, drawings, graphic representations and specifications prepared by the Architect(s) & Engineer(s) are instruments of service. The copyright and ownership of both the design and these instruments of service belong to the Architect(s) & Engineer(s) and may not be used for any other project, or sold, or offered for sale by any party other than the Architect/Engineer unless the Architect/Engineer has given written consent. Copies of the documents submitted to the client prepared by the Architect/Engineer may be used as they were intended, once, and on the same site and project.



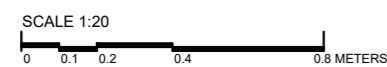



SECTIONAL VIEW

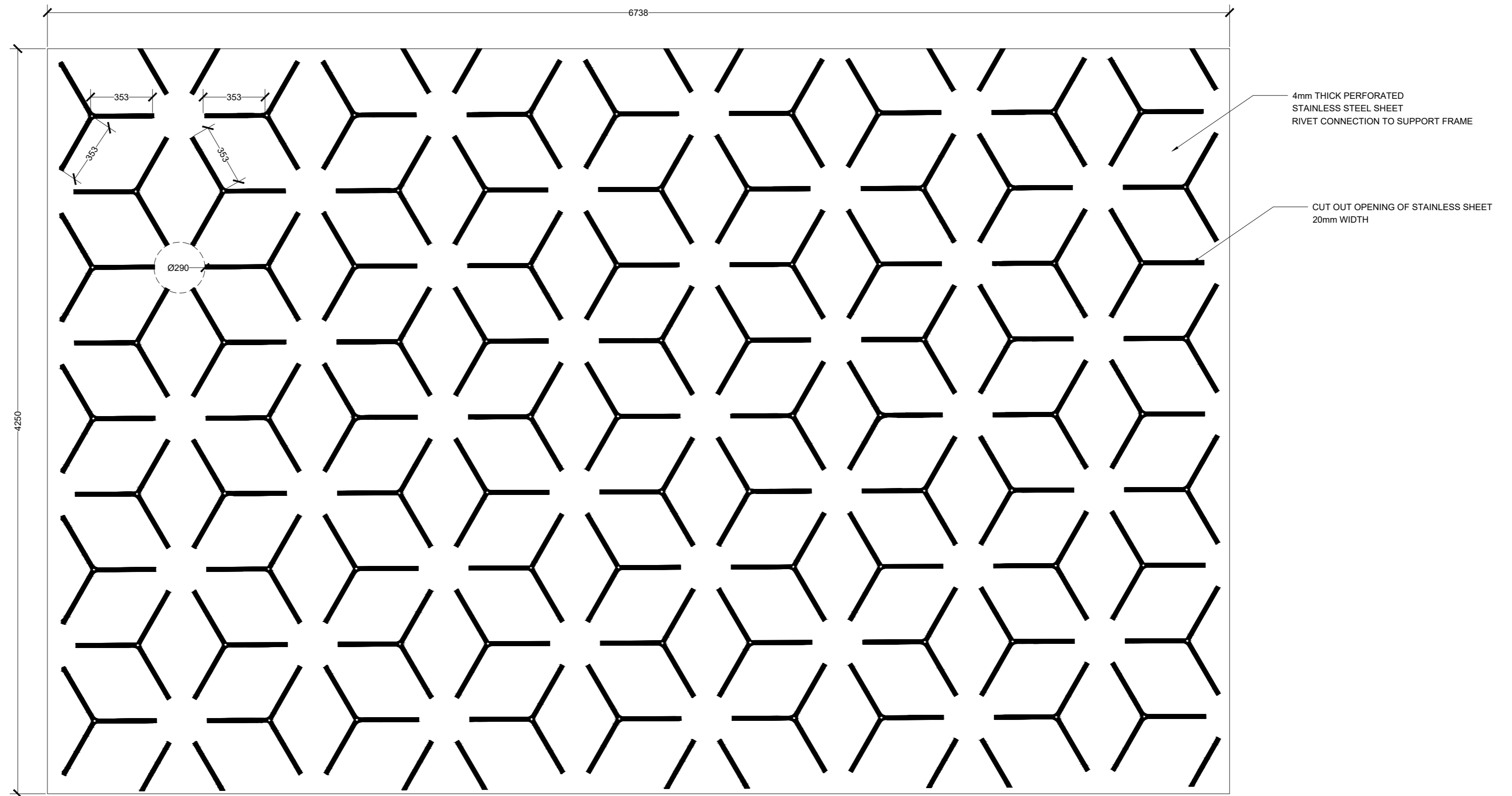


BOTTOM FRAME DETAIL

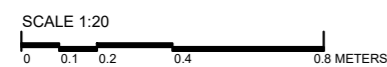
EXTERIOR PERFORATED CLADDING - DETAIL 4




 <p><b>M T C C</b> MALDIVES TRANSPORT &amp; CONTRACTING COMPANY PLC</p> <p><small>SURVEY DESIGN AND DEVELOPMENT SECTION CONSTRUCTION AND PROJECTS MANAGEMENT DEPARTMENT MTCG TOWER, SECOND FLOOR, RASULIYAN, MALÉ, MALDIVES REPUBLIC OF MALDIVES PHONE: +960 332 9822 FAX: +960 333 3382 E-MAIL: design@mtccc.com.mv</small></p>	PROJECT TITLE R. UNGOOFAARU REGIONAL HOSPITAL EXTENSION	CLIENT & ADDRESS MINISTRY OF HEALTH	DESIGN ARCHITECT: SURVEYING, DESIGN AND DEVELOPMENT SECTION	REVISIONS	DATE	APPR	SHEET IDENTIFICATION NUMBER <b>A5.08</b> SHEET TITLE 24
	DRAWING TITLE AS GIVEN	PROJECT LOCATION R. UNGOOFAARU	ENGINEER: IBRAHIM THOAM	STRUCTURAL CHECKER: ABDULLA RAMEEZ			
			ARCHITECT: AMINATH ZOONA	ARCHITECTURAL CHECKER: IRUFAAN WAHEED	PAPER A2	SCALE AS GVN	
			DRAWN BY: HASSAN SHAHULAN	CHECKED BY: AMINATH SAMAHA	DATE 16-07-20		

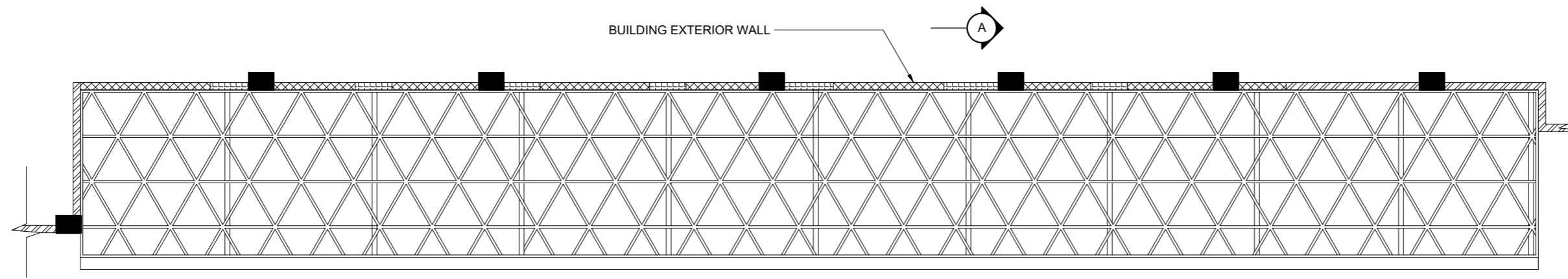


EXTERIOR PERFORATED CLADDING PANEL DETAIL



 <b>MTCC</b> MALDIVES TRANSPORT & CONTRACTING COMPANY PLC <small>PLANNING, DESIGN AND DEVELOPMENT SECTION          CONSTRUCTION AND PROJECTS MANAGEMENT DEPARTMENT          MTCC TOWER, BODU THIRUPURANGALU, MALE 20148,          REPUBLIC OF MALDIVES          PHONE: (+960) 333 8822 FAX: (+960) 333 2835          E-MAIL: design@maldivians.com.mv</small>	PROJECT TITLE <b>R.UNGOOFAARU REGIONAL HOSPITAL EXTENSION</b>	CLIENT & ADDRESS <b>MINISTRY OF HEALTH</b>	DESIGN ARCHITECT: SURVEYING, DESIGN AND DEVELOPMENT SECTION		<table border="1"> <thead> <tr> <th>REV</th> <th>DESCRIPTION</th> <th>DATE</th> <th>APPR</th> </tr> </thead> <tbody> <tr><td> </td><td> </td><td> </td><td> </td></tr> <tr><td> </td><td> </td><td> </td><td> </td></tr> <tr><td> </td><td> </td><td> </td><td> </td></tr> <tr><td> </td><td> </td><td> </td><td> </td></tr> <tr><td> </td><td> </td><td> </td><td> </td></tr> <tr><td> </td><td> </td><td> </td><td> </td></tr> <tr><td> </td><td> </td><td> </td><td> </td></tr> <tr><td> </td><td> </td><td> </td><td> </td></tr> <tr><td> </td><td> </td><td> </td><td> </td></tr> </tbody> </table>	REV	DESCRIPTION	DATE	APPR																																					<table border="1"> <thead> <tr> <th>PAPER</th> <th>SCALE</th> </tr> </thead> <tbody> <tr> <td>A2</td> <td>AS GVN</td> </tr> </tbody> </table>	PAPER	SCALE	A2	AS GVN	<table border="1"> <thead> <tr> <th>DATE</th> <th>APPR</th> </tr> </thead> <tbody> <tr><td> </td><td> </td></tr> <tr><td> </td><td> </td></tr> <tr><td> </td><td> </td></tr> <tr><td> </td><td> </td></tr> <tr><td> </td><td> </td></tr> <tr><td> </td><td> </td></tr> <tr><td> </td><td> </td></tr> <tr><td> </td><td> </td></tr> <tr><td> </td><td> </td></tr> </tbody> </table>	DATE	APPR																			SHEET IDENTIFICATION NUMBER <b>A5.09</b> SHEET TITLE 25
	REV	DESCRIPTION	DATE	APPR																																																																				
PAPER	SCALE																																																																							
A2	AS GVN																																																																							
DATE	APPR																																																																							
DRAWING TITLE AS GIVEN	PROJECT LOCATION R.UNGOOFAARU	ENGINEER: IBRAHIM THOAM	STRUCTURAL CHECKER: ABULLA RAMEEZ	ARCHITECT: AMINATH ZOONA	ARCHITECTURAL CHECKER: IRUFAAN WAHEED	DRAWN BY: HASSAN SHAHULAN	CHECKED BY: AMINATH SAMAHA	DATE 16-07-20																																																																

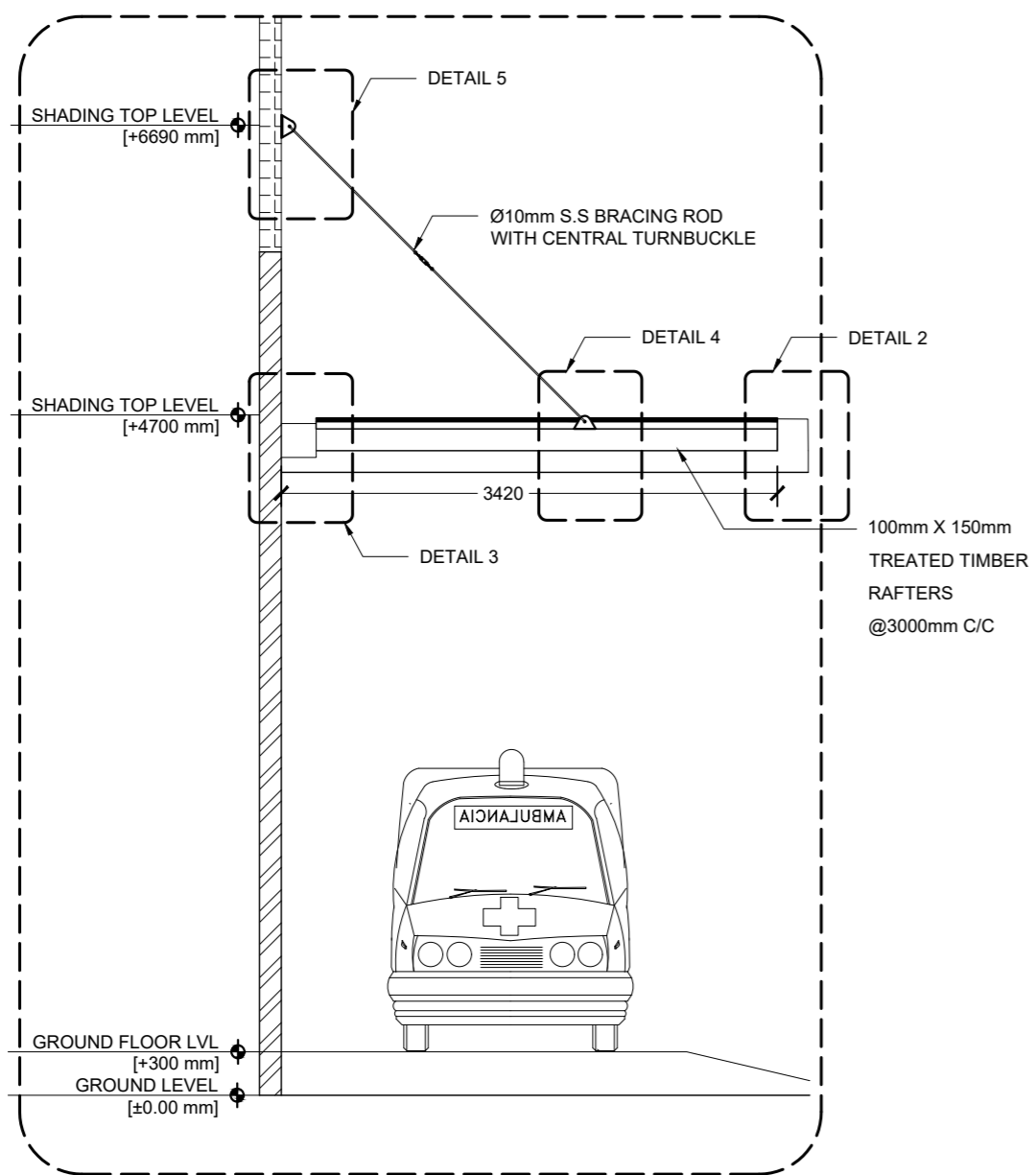
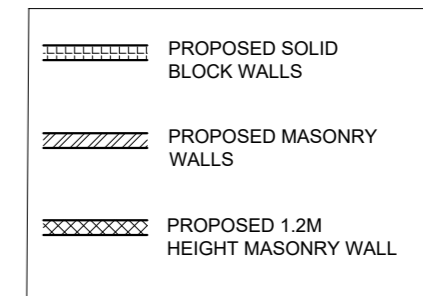
COPYRIGHT All plans, sketches, drawings, graphic representations and specifications prepared by the Architect(s) & Engineer(s) are instruments of service. The copyright and ownership of both the design and these instruments of service belong to the Architect(s) & Engineer(s) and may not be used for any other project, or sold, or offered for sale by any party other than the Architect/Engineer unless the Architect/Engineer has given written consent. Copies of the documents submitted to the client prepared by the Architect/Engineer may be used as they were intended, once, and on the same site and project.



**PORTICO FRAMING PLAN**

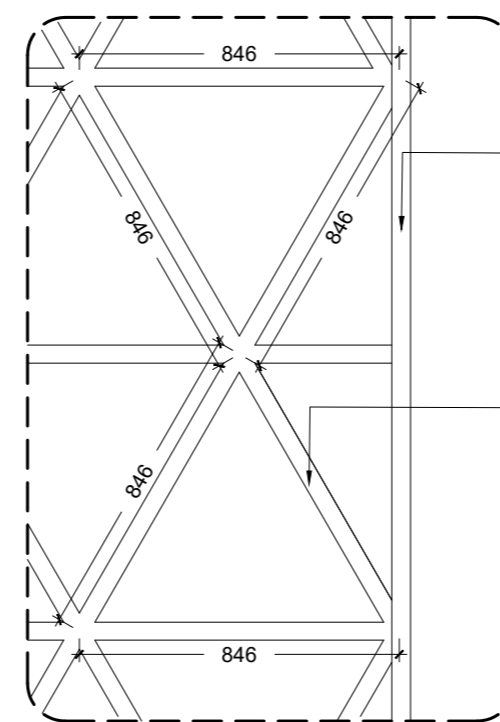
SCALE 1:100  
0 1 2 4 8 METERS

**WALL TYPES**



**SECTION A**

SCALE 1:50  
0 0.25 0.5 1 2 METERS

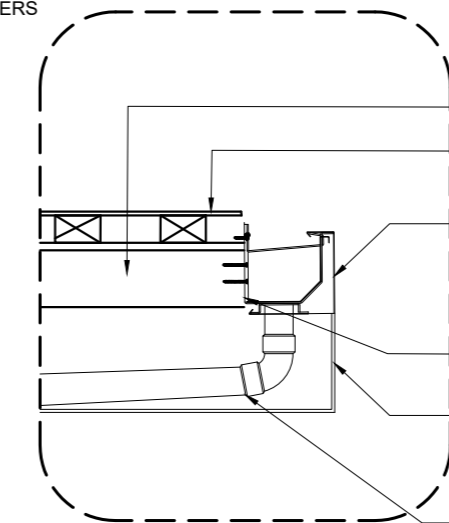


**TIMBER TOP FRAME - DETAIL 1**

SCALE 1:20  
0 0.1 0.2 0.4 0.8 METERS

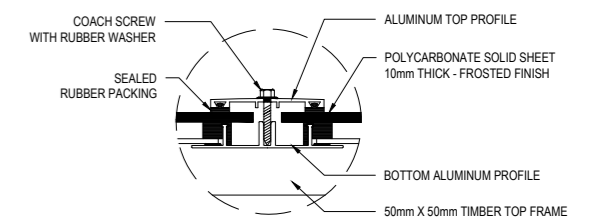
ROOF OUTER FRAME  
TREATED TIMBER  
50mm X 50mm  
SCREWED TO THE RAFTERS

TOP INTERNAL  
TIMBER FRAME  
50mm X 50mm



**SHADING & GUTTER - DETAIL 2**

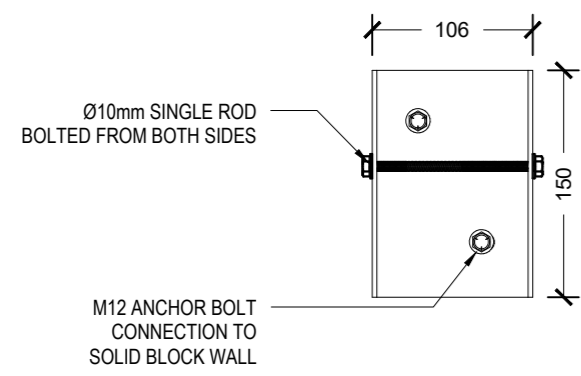
SCALE 1:20  
0 0.1 0.2 0.4 0.8 METERS



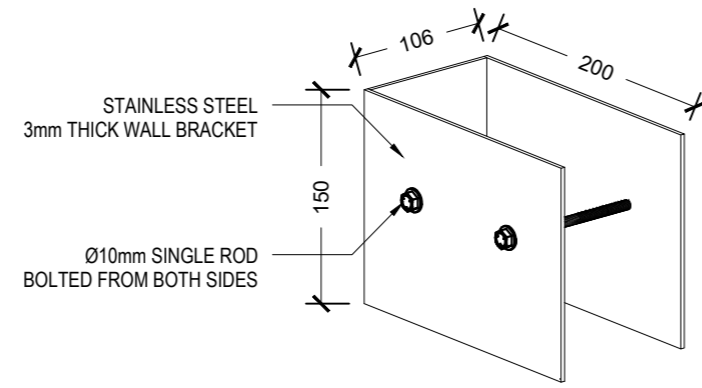
**POLYCARBONATE INSTALLATION DETAIL**  
SCALE 1:20

<p><b>MTCC</b> MALDIVES TRANSPORT &amp; CONTRACTING COMPANY PLC</p> <p><small>SURVEY DESIGN AND DEVELOPMENT SECTION CONSTRUCTION AND PROJECTS MANAGEMENT DEPARTMENT MTCC TOWER, BODU THAKURUPAANU MAJILLI, MALE 20181, REPUBLIC OF MALDIVES. PHONE: + 960 332 6822 FAX: + 960 333 2835 E-MAIL: info@mtcc.com.mv</small></p>	<p>PROJECT TITLE <b>R.UNGOOFAARU REGIONAL HOSPITAL EXTENSION</b></p>	<p>CLIENT &amp; ADDRESS <b>MINISTRY OF HEALTH</b></p>	<p>DESIGN ARCHITECT: SURVEYING, DESIGN AND DEVELOPMENT SECTION</p>	<p>ENGINEER: IBRAHIM THOAM</p>	<p>STRUCTURAL CHECKER: ABDULLA RAMEEZ</p>	<p>ARCHITECT: AMINATH ZOONA</p>	<p>ARCHITECTURAL CHECKER: IRUFAN WAHEED</p>	<p>PAPER SCALE A2 AS GVN</p>	<p>DATE</p>	<p>DATE</p>	<p>APPR</p>	<p>SHEET IDENTIFICATION NUMBER</p>
	<p>DRAWING TITLE <b>AS GIVEN</b></p>	<p>PROJECT LOCATION <b>R.UNGOOFAARU</b></p>	<p>ARCHITECT: HASSAN SHAHJILAN</p>	<p>CHECKED BY: AMINATH SAMAHA</p>	<p>DATE 16-07-20</p>	<p>DATE</p>	<p>DATE</p>	<p>DATE</p>	<p>DATE</p>	<p>DATE</p>	<p>DATE</p>	<p>DATE</p>
											<p>SHEET TITLE 26</p>	

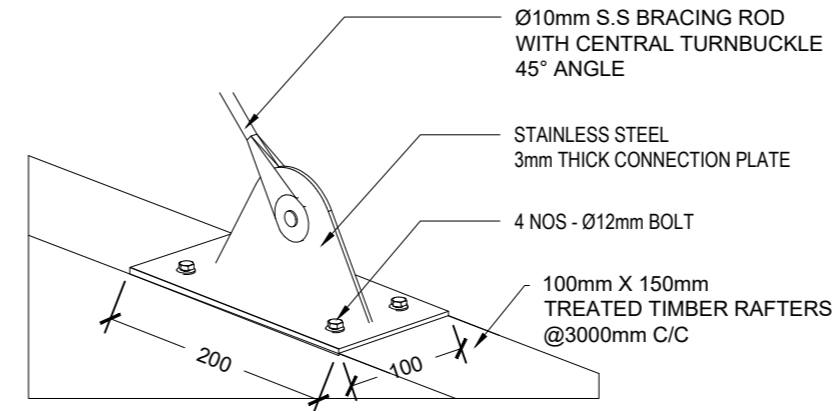
Copyright © All plans, sketches, drawings, graphic representations and specifications prepared by the Architect(s) & Engineer(s) are instruments of service. The copyright and ownership of both the design and these instruments of service belong to the Architect(s) & Engineer(s) and may not be used for any other project, or sold, or offered for sale by any party other than the Architect/Engineer unless the Architect/Engineer has given written consent. Copies of the documents submitted to the client prepared by the Architect/Engineer may be used as they were intended, once, and on the same site and project.



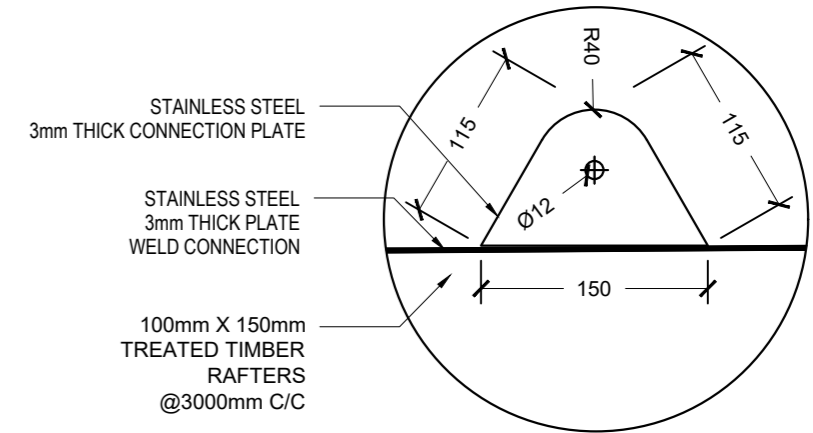
WALL BRACKET - DETAIL 3  
FRONT VIEW  
SCALE 1:05



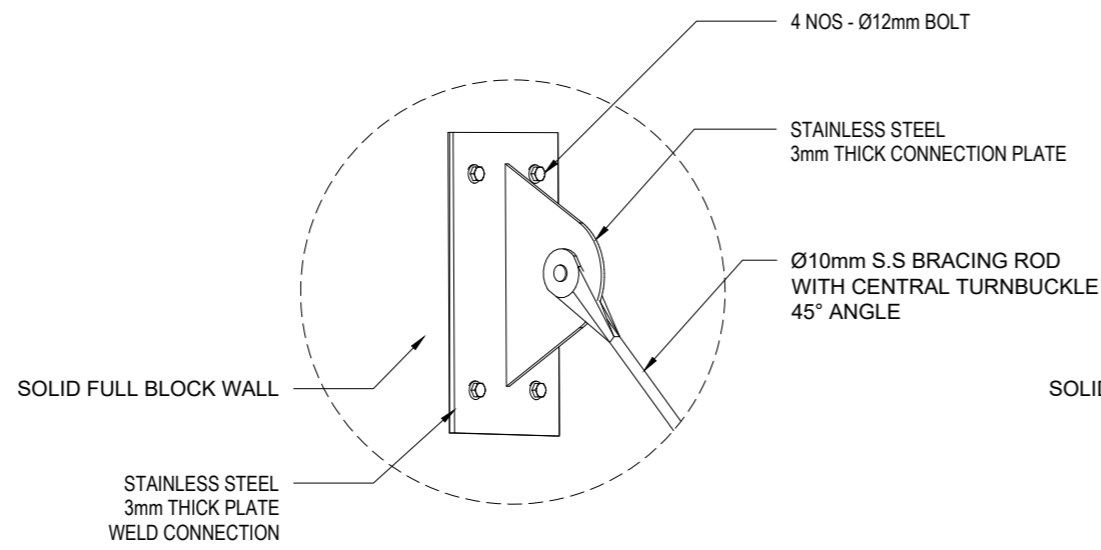
WALL BRACKET - DETAIL 3  
ISOMETRIC VIEW  
SCALE 1:05



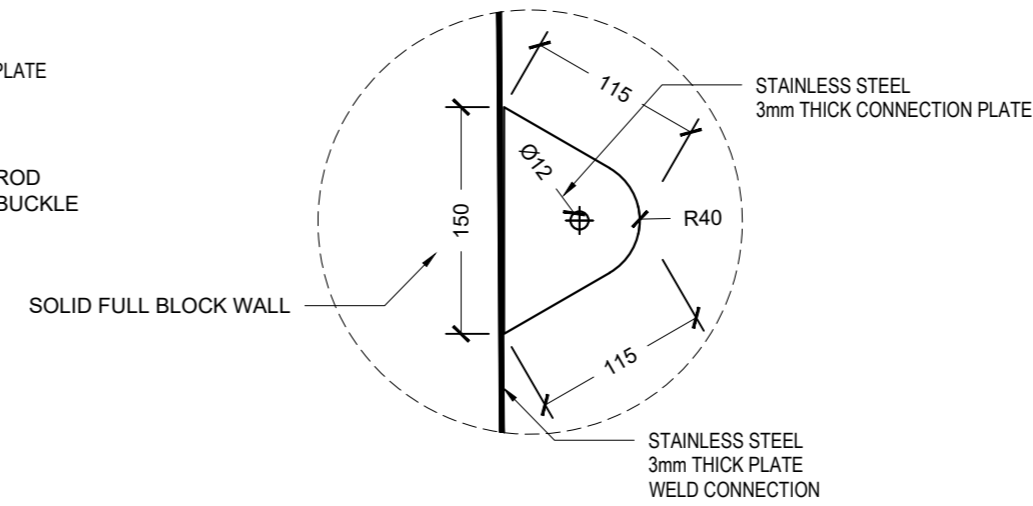
SUPPORT PLATE - DETAIL 4  
ISOMETRIC VIEW  
SCALE 1:05




SUPPORT PLATE - DETAIL 4  
SIDE VIEW  
SCALE 1:05



SUPPORT PLATE - DETAIL 4  
ISOMETRIC VIEW  
SCALE 1:05



SUPPORT PLATE - DETAIL 4  
SIDE VIEW  
SCALE 1:05

 <b>MTCC</b> MALDIVES TRANSPORT & CONTRACTING COMPANY PLC <small>SURVEY DESIGN AND DEVELOPMENT SECTION          CONSTRUCTION AND PROJECTS MANAGEMENT DEPARTMENT          WTC TOWER, BODU THIRUPATHI PARK, MALÉ 20191,          REPUBLIC OF MALDIVES.          PHONE: +960 333 8822 FAX: +960 333 2835          E-MAIL: design@maldivestransport.com.mv</small>	PROJECT TITLE R.UNGOOFAARU REGIONAL HOSPITAL EXTENSION	CLIENT & ADDRESS MINISTRY OF HEALTH	DESIGN ARCHITECT: SURVEYING, DESIGN AND DEVELOPMENT SECTION	ENGINEER: IBRAHIM THOAM	STRUCTURAL CHECKER: ABDULLA RAMEEZ	ARCHITECT: AMINATH ZOONA	ARCHITECTURAL CHECKER: RUFUFAAN WAHEED	PAPER AZ	SCALE AS GVN	REV	DESCRIPTION	DATE	APPR	SHEET IDENTIFICATION NUMBER <b>A5.11</b>
	DRAWING TITLE AS GIVEN	PROJECT LOCATION R.UNGOOFAARU	DRAWN BY: HASSAN SHAHULAN	CHECKED BY: AMINATH SAMAHA	DATE 16-07-20									

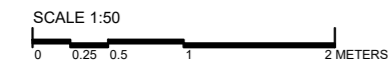
COPYRIGHT All plans, sketches, drawings, graphic representations and specifications prepared by the Architect(s) & Engineer(s) are instruments of service. The copyright and ownership of both the design and these instruments of service belong to the Architect(s) & Engineer(s) and may not be used for any other project, or sold, or offered for sale by any party other than the Architect/Engineer unless the Architect/Engineer has given written consent. Copies of the documents submitted to the client prepared by the Architect/Engineer may be used as they were intended, once, and on the same site and project.

LABEL	SD1	SD2	D1	D2	D3
▼ FFL					
DESCRIPTION	AUTOMATIC GLASS DOOR 1	AUTOMATIC GLASS DOOR 2	ENTRANCE GLASS DOOR	GRP DOOR TYPE 1	GRP DOOR TYPE 2
DOOR FRAME	POLISHED STAINLESS STEEL	POLISHED STAINLESS STEEL	POLISHED STAINLESS STEEL	POLISHED STAINLESS STEEL	POLISHED STAINLESS STEEL
DOOR PANEL	8mm TEMPERED GLASS	8mm TEMPERED GLASS DOOR	8mm TEMPERED GLASS	GRP DOOR WITH 8mm TEMPERED GLASS	GRP DOOR WITH 8mm TEMPERED GLASS
HARDWARE	AUTOMATIC DOOR SENSOR SYSTEM	AUTOMATIC DOOR SENSOR SYSTEM	SIDE HINGE, LOCKSET, S.S. HANDLES, CONCEALED DOOR CLOSER	CONCEALED DOOR CLOSER, LOCK SET	CONCEALED DOOR CLOSER, LOCK SET & HANDLE BAR
COMMENTS	REFLECTIVE GLASS (EXTERIOR ONLY)	REFLECTIVE GLASS, 200mm (EXTERIOR ONLY)	-	200mm SS BORDER AT BOTTOM OF DOOR	200mm SS BORDER AT BOTTOM OF DOOR (DOUBLE SWING HINGE ON OPERATION THEATER ROOMS)
LOCATION(S)	MAIN ENTRANCE, RADIOLOGY DEPARTMENT ENTRANCE	TRIAGE AREA, LABORATORY & PHYSIOTHERAPY CENTER	TRIAGE AREA & PRIVATE ROOMS AREA	SERVICE ENTRANCE, EMERGENCY UNIT, UN-STERILIZED AREA & OPERATION THEATER TRANSFER	CPR BAY, TRAUMA OT, OPERATION THEATER, TERRACE FLOOR & SERVICE STAIR CASE
NO(S)	3	4	2	6	6

LABEL	D4	D5	D6	D7
▼ FFL				
DESCRIPTION	GRP DOOR 3	GRP DOOR 4	GRP DOOR 5	GRP DOOR WITH VISION PANEL
DOOR FRAME	POWDER COATED ALUMINIUM	POWDER COATED ALUMINIUM	POWDER COATED ALUMINIUM	POWDER COATED ALUMINIUM
DOOR PANEL	GRP DOOR PANEL, WITH 10mm GROOVE	GRP DOOR PANEL	GRP DOOR PANEL	GRP DOOR PANEL
HARDWARE	CONCEALED DOOR CLOSER, SS HINGES	SIDE HINGE, LOCKSET, HANDLE BAR	CONCEALED DOOR CLOSER, SS HINGES, LOCKSET	SIDE HINGE, LOCKSET, S.S. HANDLES, DOOR CLOSER
COMMENTS	200mm SS BORDER AT BOTTOM OF DOOR	SS BORDER AT BOTTOM OF DOOR	200mm SS BORDER AT BOTTOM OF DOOR	200mm SS BORDER AT TOP AND BOTTOM OF DOOR
LOCATION(S)	CONSULTATION, TREATMENT, SAMPLE COLLECTION, ULTRA SCAN, THERAPY ROOM	UNIVERSAL TOILET	PUBLIC TOILET ENTRANCE, CHANGING ROOM, DOCTORS TOILET ENTRANCE	EQUIPMENT ROOM, LABORATORY AREA, CSSD AREA
NO(S)	11	16	15	4

- IMPORTANT NOTES:**
- ALL MEASUREMENTS TO BE CHECKED AND VERIFIED ON SITE BEFORE FABRICATION.
  - EXTERNAL UNITS COMPLY WITH THE FOLLOWING WEATHER CONDITIONS:  
WIND: 200KG/SQM  
WATER TIGHTNESS: 25KG/SQM
  - ALL EXTERNAL FRAMES/ WALL JOINTS MUST BE SEALED WITH ANTI-FUNGAL EXTERIOR GRADE SILICON SEALANT
  - DOOR SWINGS INDICATED ON FLOOR PLANS
  - DOOR KNOBS SHALL BE 900MM ABOVE FINISHED FLOOR LEVEL

### DOOR WINDOW SCHEDULE



<p><b>M T C C</b> MALDIVES TRANSPORT &amp; CONTRACTING COMPANY PLC</p> <p><small>QUANTITY DESIGN AND DEVELOPMENT SECTION CONSTRUCTION AND PROJECTS MANAGEMENT DEPARTMENT MTCO TOWER, BOOJI THAKURU PAANGU MARU, MALE 20181, REPUBLIC OF MALDIVES. PHONE: +960 332 9827 FAX: +960 333 2825 E-MAIL: mtc@maldivestransport.com.mv</small></p>	PROJECT TITLE R. UNGOOFAARU REGIONAL HOSPITAL EXTENSION	CLIENT & ADDRESS MINISTRY OF HEALTH	DESIGN ARCHITECT: SURVEYING, DESIGN AND DEVELOPMENT SECTION	ENGINEER: IBRAHIM THOAM	STRUCTURAL CHECKER: ABDULLA RAMEEZ	ARCHITECT: AMINATH ZOONA	ARCHITECTURAL CHECKER: IRUFAAN WAHEED	PAPER SCALE A2 AS GVN	DATE 16-07-20	REV	DESCRIPTION	DATE	APPR	SHEET IDENTIFICATION NUMBER <b>A6.01</b>
	DRAWING TITLE AS GIVEN	PROJECT LOCATION R. UNGOOFAARU	DRAWN BY: HASSAN SHAHULAN	CHECKED BY: AMINATH SAMAHA										

COPYRIGHT All plans, sketches, drawings, graphic representations and specifications prepared by the Architect(s) & Engineer(s) are instruments of service. The copyright and ownership of both the design and these instruments of service belong to the Architect(s) & Engineer(s) and may not be used for any other project, or sold, or offered for sale by any party other than the Architect/Engineer unless the Architect/Engineer has given written consent. Copies of the documents submitted to the client prepared by the Architect/Engineer may be used as they were intended, once, and on the same site and project.

LABEL	D8	D9	D10	D11	D12
DESCRIPTION	GRP DOOR 7	TOILET PARTITION SWING DOOR	GRP DOOR 8	GRP DOOR 9	FLAP DOOR
DOOR FRAME	POWDER COATED ALUMINIUM	-	POWDER COATED ALUMINIUM	POWDER COATED ALUMINIUM	POWDER COATED ALUMINIUM
DOOR PANEL	GRP DOOR PANEL	HPL PANEL	GRP DOOR PANEL, WITH 10mm GROOVE	GRP DOOR PANEL,	GRP DOOR PANEL
HARDWARE	DOOR CLOSER, SS HINGES, LOCKSET	TOILET LOCK, SIDE HINGES	DOOR CLOSER, SS HINGES	SS DOUBLE SIDE SWING HINGES	SS DOUBLE SWING HINGES
COMMENTS	SS BORDER AT BOTTOM OF DOOR	PHENOLIC RESIN COMPACT SHEET	200mm SS BORDER AT BOTTOM OF DOOR	200mm SS BORDER AT BOTTOM OF DOOR	-
LOCATION(S)	JANITORIAL, STORAGE, DISPOSAL AREAS, EQUIPMENT ROOMS, STORE AREAS, BATTERY ROOM, LIFT MACHINE ROOM	ALL PUBLIC TOILETS AREA	MEDICAL PREPARATION ROOMS, STAFF LOUNGE, DOC CHANGING ROOM, CONTROL ROOM, LABORATORY AREAS, BLOOD BANK	SCRUBS, MEDICAL PREPARATION AREAS, DIRTY & CLEAN UTILITY AREAS, DOC CHANGING AREAS,	NURSES STATION, SERVICE COUNTER ENTRANCE
NO(S)	16	8	13	11	4

LABEL	D13	D14	D15
DESCRIPTION	GPR DOOR 10	GRP DOOR 11	TEMPERED GLASS DOOR
DOOR FRAME	POWDER COATED ALUMINIUM IN BLACK	POWDER COATED ALUMINIUM	POWDER COATED ALUMINIUM
DOOR PANEL	GRP DOOR PANEL WITH GLAZING	GRP DOOR PANEL	8mm TEMPERED GLASS DOOR
HARDWARE	CONCEALED DOOR CLOSER, SS HINGES, HANDLE	SIDE HINGE, LOCKSET, S.S. HANDLES, DOOR CLOSER	DOOR CLOSER, SS HINGES, SS HANDLES
COMMENTS	200mm SS BORDER AT BOTTOM OF DOOR	200mm SS BORDER AT TOP AND BOTTOM OF DOOR	-
LOCATION(S)	DIRTY & CLEAN UTILITY AREAS, CSSD AREAS, RADIOLOGIST ROOM, GENERAL WASTE AREA, DISPOSAL AREA, SERVICE CORRIDOR, STORE ROOMS	MRI ROOM, CT SCAN ROOM, X-RAY ROOMS, LABORATORY AREA, PRIVATE ROOM AREAS,	INFO ROOM
NO(S)	17	15	1

- IMPORTANT NOTES:**
- ALL MEASUREMENTS TO BE CHECKED AND VERIFIED ON SITE BEFORE FABRICATION.
  - EXTERNAL UNITS COMPLY WITH THE FOLLOWING WEATHER CONDITIONS:
    - WIND: 200KG/SQM
    - WATER TIGHTNESS: 25KG/SQM
  - ALL EXTERNAL FRAMES/ WALL JOINTS MUST BE SEALED WITH ANTI-FUNGAL EXTERIOR GRADE SILICON SEALANT
  - DOOR SWINGS INDICATED ON FLOOR PLANS
  - DOOR KNOBS SHALL BE 900MM ABOVE FINISHED FLOOR LEVEL

## DOOR WINDOW SCHEDULE

SCALE 1:50  
0 0.25 0.5 1 2 METERS

<p><b>MTCC</b> MALDIVES TRANSPORT &amp; CONTRACTING COMPANY PLC</p> <p><small>SURVEY, DESIGN AND DEVELOPMENT SECTION CONSTRUCTION AND PROJECTS MANAGEMENT DEPARTMENT MTCO TOWER, BODU THAKURUPAANU, MALE 20181 REPUBLIC OF MALDIVES PHONE: +960 332 8822 FAX: +960 333 3333 E-MAIL: mtc@mtcc.com.mv</small></p>	<p>PROJECT TITLE R. UNGOOFARU REGIONAL HOSPITAL EXTENSION</p>	<p>CLIENT &amp; ADDRESS MINISTRY OF HEALTH</p>	<p>DESIGN ARCHITECT: SURVEYING, DESIGN AND DEVELOPMENT SECTION</p>	<p>ENGINEER: IBRAHIM THOAM</p>	<p>STRUCTURAL CHECKER: ABDULLA RAMEEZ</p>	<p>ARCHITECT: AMINATH ZOONA</p>	<p>ARCHITECTURAL CHECKER: IRUFAN WAHEED</p>	<p>PAPER SCALE A2 AS GVN</p>	<p>DRAWN BY: HASSAN SHAHULAN</p>	<p>CHECKED BY: AMINATH SAMAHA</p>	<p>DATE 16-07-20</p>	<p>REV</p>	<p>DESCRIPTION</p>	<p>DATE</p>	<p>APPR</p>	<p>SHEET IDENTIFICATION NUMBER <b>A6.02</b></p>
	<p>DRAWING TITLE AS GIVEN</p>	<p>PROJECT LOCATION R. UNGOOFARU</p>	<p>ARCHITECT: AMINATH ZOONA</p>	<p>ARCHITECTURAL CHECKER: IRUFAN WAHEED</p>	<p>DRAWN BY: HASSAN SHAHULAN</p>	<p>CHECKED BY: AMINATH SAMAHA</p>	<p>DATE 16-07-20</p>	<p>REV</p>	<p>DESCRIPTION</p>	<p>DATE</p>	<p>APPR</p>	<p>SHEET TITLE 29</p>				

LABEL	W1	W2	W3
ELEVATION VIEW			
DESCRIPTION	WINDOW 1	WINDOW 2	WINDOW 3
DOOR FRAME	POWDER COATED ALUMINUM - BLACK FINISH	POWDER COATED ALUMINUM - BLACK FINISH	POWDER COATED ALUMINUM - BLACK FINISH
DOOR PANEL	8mm TEMPERED GLASS (REFLECTIVE)	8mm TEMPERED GLASS (REFLECTIVE)	8mm TEMPERED GLASS (REFLECTIVE)
HARDWARE	PUSH OUT WINDOW HARDWARE	PUSH OUT WINDOW HARDWARE	PUSH OUT WINDOW HARDWARE
COMMENTS	FIXED GLASS ON THE SIDE PANEL	FIXED GLASS ON THE END OF TWO PANEL	FIXED GLASS ON THE SIDE PANEL
LOCATION(S)	CONSULTATION / TREATMENT ROOM, RADIOLOGIST PRINT ROOM, PRIVATE WARD, WAITING AREA, RECEPTION AREA	TRIAGE AREA, LABORATORY AREA, GYM / EXERCISING UNIT	WAITING AREA, LABORATORY AREA, GYM / EXERCISING UNIT, PRIVATE WARD AREAS, NURSE STATION LOUNGE
NO(S)	09	3	14

LABEL	W4	W5	W6	V1
ELEVATION VIEW				
DESCRIPTION	WINDOW 4	WINDOW 5	WINDOW 5	TOP HUNG WINDOW
DOOR FRAME	POWDER COATED ALUMINUM - BLACK FINISH	POWDER COATED ALUMINUM - BLACK FINISH	POWDER COATED ALUMINUM - BLACK FINISH	POWDER COATED ALUMINUM - BLACK FINISH
DOOR PANEL	8mm REFLECTIVE GLASS	8mm REFLECTIVE GLASS	8mm REFLECTIVE GLASS	LOW-E TEMPERED GLASS
HARDWARE	PUSH OUT WINDOW HARDWARE	PUSH OUT WINDOW HARDWARE	PUSH OUT WINDOW HARDWARE	TOP HINGE AND LOCKSET
COMMENTS	FIXED GLASS ON THE SIDE PANEL	FIXED GLASS ON THE SIDE PANEL	FIXED GLASS ON THE SIDE PANEL	REFLECTIVE GLASS
LOCATION(S)	PRIVATE ROOM	EMERGENCY UNIT	TREATMENT ROOM	JANITORIAL AREAS, PUBLIC TOILETS, PRIVATE WARD TOILET AREAS
NO(S)	1	2	1	20

## DOOR WINDOW SCHEDULE

SCALE 1:50  
0 0.25 0.5 1 2 METERS

- IMPORTANT NOTES:**
- FG - FIXED GLASS
  - ALL MEASUREMENTS TO BE CHECKED AND VERIFIED ON SITE BEFORE FABRICATION.
  - EXTERNAL UNITS COMPLY WITH THE FOLLOWING WEATHER CONDITIONS:  
WIND: 200KG/SQM  
WATER TIGHTNESS: 25KG/SQM
  - ALL EXTERNAL FRAMES/WALL JOINTS MUST BE SEALED WITH ANTI-FUNGAL EXTERIOR GRADE SILICON SEALANT
  - DOOR SWINGS INDICATED ON FLOOR PLANS
  - DOOR KNOBS SHALL BE 900MM ABOVE FINISHED FLOOR LEVEL

 <b>M T C C</b> MALDIVES TRANSPORT & CONTRACTING COMPANY PLC <small>SURVEY DESIGN AND DEVELOPMENT SECTION          CONSTRUCTION AND PROJECTS MANAGEMENT DEPARTMENT          MTCC TOWER, BOX 1190, BILEE MANU, MALÉ, MALÉ 20181,          REPUBLIC OF MALDIVES.          PHONE: +960 332 8222 FAX: +960 333 3382          E-MAIL: design@mtcc.com.mv</small>	<b>PROJECT TITLE</b> R. UNGOOFAARU REGIONAL HOSPITAL EXTENSION	<b>CLIENT &amp; ADDRESS</b> MINISTRY OF HEALTH	<b>DESIGN ARCHITECT:</b> SURVEYING, DESIGN AND DEVELOPMENT SECTION <b>ENGINEER:</b> IBRAHIM THOAM	<b>STRUCTURAL CHECKER:</b> ABDULLA RAMEEZ	<table border="1"> <thead> <tr> <th>REV</th> <th>DESCRIPTION</th> <th>DATE</th> <th>APPR</th> </tr> </thead> <tbody> <tr><td> </td><td> </td><td> </td><td> </td></tr> <tr><td> </td><td> </td><td> </td><td> </td></tr> <tr><td> </td><td> </td><td> </td><td> </td></tr> <tr><td> </td><td> </td><td> </td><td> </td></tr> <tr><td> </td><td> </td><td> </td><td> </td></tr> <tr><td> </td><td> </td><td> </td><td> </td></tr> <tr><td> </td><td> </td><td> </td><td> </td></tr> </tbody> </table>	REV	DESCRIPTION	DATE	APPR																													<table border="1"> <thead> <tr> <th>DATE</th> <th>APPR</th> </tr> </thead> <tbody> <tr><td> </td><td> </td></tr> <tr><td> </td><td> </td></tr> <tr><td> </td><td> </td></tr> <tr><td> </td><td> </td></tr> <tr><td> </td><td> </td></tr> <tr><td> </td><td> </td></tr> <tr><td> </td><td> </td></tr> </tbody> </table>	DATE	APPR															<b>PROJECT LOCATION</b> R. UNGOOFAARU	<b>ARCHITECT:</b> AMINATH ZOONA	<b>ARCHITECTURAL CHECKER:</b> IRUFAN WAHEED	<b>PAPER SCALE</b> A2 AS GVN	<b>SHEET IDENTIFICATION NUMBER</b> <h1>A6.03</h1> <b>SHEET TITLE</b> 30
	REV	DESCRIPTION	DATE	APPR																																																							
DATE	APPR																																																										
<b>DRAWING TITLE</b> AS GIVEN	<b>DRAWN BY:</b> HASSAN SHAHULAN	<b>CHECKED BY:</b> AMINATH SAMAHA	<b>DATE</b> 16-07-20																																																								

LABEL	FG1	FG2	FG3
ELEVATION VIEW			
▼ FFL			
DESCRIPTION	FIXED GLASS SET 1	FIXED GLASS SET 2	FIXED GLASS SET 3
DOOR FRAME	POWDER COATED ALUMINUM IN BLACK	POWDER COATED ALUMINUM IN BLACK	POWDER COATED ALUMINUM IN BLACK
DOOR PANEL	LOW-E TEMPERED GLASS	LOW-E TEMPERED GLASS	LOW-E TEMPERED GLASS
HARDWARE	-	-	-
COMMENTS	REFLECTIVE GLASS	REFLECTIVE GLASS	REFLECTIVE GLASS
LOCATION(S)	BUILDING EXTERIOR	BUILDING EXTERIOR	BUILDING EXTERIOR
NO(S)	5	2	5

LABEL	FG4	FG5	SW
ELEVATION VIEW			
▼ FFL			
DESCRIPTION	FIXED GLASS SET 4	FIXED GLASS SET 4	SLIDING WINDOW
DOOR FRAME	POWDER COATED ALUMINUM IN BLACK	POWDER COATED ALUMINUM IN BLACK	POWDER COATED ALUMINUM - BLACK FINISH
DOOR PANEL	LOW-E TEMPERED GLASS	TEMPERED GLASS	8mm CLEAR GLASS
HARDWARE	-	-	SIDE HINGE, LOCKSET
COMMENTS	REFLECTIVE GLASS	10mm CLEAR GLASS	-
LOCATION(S)	BUILDING EXTERIOR	CONTROL ROOMS	CSSD STERILE ZONE, OPERATION THEATER DIRTY UTILITY
NO(S)	3	4	2

- IMPORTANT NOTES:**
- FG - FIXED GLASS
  - ALL MEASUREMENTS TO BE CHECKED AND VERIFIED ON SITE BEFORE FABRICATION.
  - EXTERNAL UNITS COMPLY WITH THE FOLLOWING WEATHER CONDITIONS:  
WIND: 200KG/SQM  
WATER TIGHTNESS: 25KG/SQM
  - ALL EXTERNAL FRAMES/ WALL JOINTS MUST BE SEALED WITH ANTI-FUNGAL EXTERIOR GRADE SILICON SEALANT
  - DOOR SWINGS INDICATED ON FLOOR PLANS
  - DOOR KNOBS SHALL BE 900MM ABOVE FINISHED FLOOR LEVEL


DOOR WINDOW SCHEDULE

<p><b>M T C C</b> MALDIVES TRANSPORT &amp; CONTRACTING COMPANY PLC</p> <p><small>SURVEY DESIGN AND DEVELOPMENT SECTION CONSTRUCTION AND PROJECTS MANAGEMENT DEPARTMENT MTCO TOMOR, BODU THURUJAFANJU MAJULI, MALE' 20181, REPUBLIC OF MALDIVES.</small></p> <p><small>PHONE: +960 333 4802 FAX: +960 333 3835 E-MAIL: design@mtccc.com.mv</small></p>	<p>PROJECT TITLE R. UNGOOFAARU REGIONAL HOSPITAL EXTENSION</p>	<p>CLIENT &amp; ADDRESS MINISTRY OF HEALTH</p>	<p>DESIGN ARCHITECT: SURVEYING, DESIGN AND DEVELOPMENT SECTION</p> <p>ENGINEER: IBRAHIM THOAM</p> <p>ARCHITECT: AMINATH ZOONA</p> <p>DRAWN BY: HASSAN SHAHULAN</p>	<p>STRUCTURAL CHECKER: ABDULLA RAMEEZ</p> <p>ARCHITECTURAL CHECKER: IRUFAAN WAHEED</p> <p>CHECKED BY: AMINATH SAMAHA</p>	<p>PAPER SCALE A2 AS GVN</p> <p>DATE 16-07-20</p>	<table border="1"> <thead> <tr> <th>REV</th> <th>DESCRIPTION</th> <th>DATE</th> <th>APPR</th> </tr> </thead> <tbody> <tr><td> </td><td> </td><td> </td><td> </td></tr> <tr><td> </td><td> </td><td> </td><td> </td></tr> <tr><td> </td><td> </td><td> </td><td> </td></tr> <tr><td> </td><td> </td><td> </td><td> </td></tr> <tr><td> </td><td> </td><td> </td><td> </td></tr> <tr><td> </td><td> </td><td> </td><td> </td></tr> <tr><td> </td><td> </td><td> </td><td> </td></tr> <tr><td> </td><td> </td><td> </td><td> </td></tr> <tr><td> </td><td> </td><td> </td><td> </td></tr> <tr><td> </td><td> </td><td> </td><td> </td></tr> </tbody> </table>	REV	DESCRIPTION	DATE	APPR																																									<p>SHEET IDENTIFICATION NUMBER <b>A6.04</b></p> <p>SHEET TITLE 31</p>
	REV	DESCRIPTION	DATE	APPR																																															
<p><small>COPYRIGHT All plans, sections, drawings, graphic representations and applications prepared by the Architect(s) &amp; Engineer(s) are instruments of service. The copyright and ownership of such the design and these instruments of service being the Architect(s) &amp; Engineer(s) and may not be used for any other project, or sold, or offered for sale by any party other than the Architect/Engineer unless the Architect/Engineer has given written consent. Copies of the documents submitted to the client prepared by the Architect/Engineer might be used as they were intended, once, and on the same site and project.</small></p>																																																			






3D VISUALS

 <b>MTCC</b> MALDIVES TRANSPORT & CONTRACTING COMPANY PLC <small>SURVEY DESIGN AND DEVELOPMENT SECTION          CONSTRUCTION AND PROJECTS MANAGEMENT DEPARTMENT          80/2, TOWER STREET, THURUVA, MALDIVES. PHONE: +960 333 3833          FAX: +960 333 3835          E-MAIL: design@mtcc.com.mv</small>	PROJECT TITLE <b>R. UNGOOFAARU REGIONAL HOSPITAL EXTENSION</b>	CLIENT & ADDRESS <b>MINISTRY OF HEALTH</b>	DESIGN ARCHITECT: SURVEYING, DESIGN AND DEVELOPMENT SECTION		REV DESCRIPTION DATE APPR	SHEET IDENTIFICATION NUMBER <b>A8.01</b> SHEET TITLE 32
	DRAWING TITLE <b>AS GIVEN</b>	PROJECT LOCATION <b>R. UNGOOFAARU</b>	ENGINEER: IBRAHIM THOAM	STRUCTURAL CHECKER: ABULLA RAMEEZ		
		DRAWN BY: HASSAN SHAHULAN		CHECKED BY: AMINATH SAMAHA	DATE 16-07-20	

COPYRIGHT All plans, sketches, drawings, graphic representations and specifications prepared by the Architect(s) & Engineer(s) are instruments of service. The copyright and ownership of both the design and these instruments of service belong to the Architect(s) & Engineer(s) and may not be used for any other project, or sold, or offered for sale by any party other than the Architect/Engineer unless the Architect/Engineer has given written consent. Copies of the documents submitted to the client prepared by the Architect/Engineer may be used as they were intended, once, and on the same site and project.




3D VISUALS

 <p><b>MTCC</b> MALDIVES TRANSPORT &amp; CONTRACTING COMPANY P.L.C.</p> <p><small>SURVEY DESIGN AND DEVELOPMENT SECTION CONSTRUCTION AND PROJECTS MANAGEMENT DEPARTMENT MTCC TOWER, BODU THAKURUPPANA MAJULI, MALE 20181 REPUBLIC OF MALDIVES PHONE: +960 333 8822 FAX: +960 333 2855 E-MAIL: design.development@mtcc.com.mv</small></p>	PROJECT TITLE R. UNGOOFAARU REGIONAL HOSPITAL EXTENSION	CLIENT & ADDRESS MINISTRY OF HEALTH	DESIGN ARCHITECT SURVEYING, DESIGN AND DEVELOPMENT SECTION	REV	DESCRIPTION	DATE	APPR	SHEET IDENTIFICATION NUMBER
	DRAWING TITLE AS GIVEN	PROJECT LOCATION R. UNGOOFAARU	ENGINEER: IBRAHIM THOAM	STRUCTURAL CHECKER: ABDULLA RAMEEZ				
		ARCHITECT: AMINATH ZOONA	ARCHITECTURAL CHECKER: IRUFAAN WAHEED	PAPER SCALE A2 AS GVN				SHEET TITLE
		DRAWN BY: HASSAN SHAHULAN	CHECKED BY: AMINATH SAMAHA	DATE 16-07-20				33

COPYRIGHT All plans, sketches, drawings, graphic representations and specifications prepared by the Architect(s) & Engineer(s) are instruments of service. The copyright and ownership of both the design and these instruments of service belong to the Architect(s) & Engineer(s) and may not be used for any other project, or sold, or offered for sale by any party other than the Architect/Engineer unless the Architect/Engineer has given written consent. Copies of the documents submitted to the client prepared by the Architect/Engineer may be used as they were intended, once, and on the same site and project.




3D VISUALS

 <p><b>MTCC</b> MALDIVES TRANSPORT &amp; CONTRACTING COMPANY PLC</p> <p><small>SURVEY DESIGN AND DEVELOPMENT SECTION CONSTRUCTION AND PROJECTS MANAGEMENT DEPARTMENT MTCO TOWER, BODU THAKURUPAANU, MALE 20151, REPUBLIC OF MALDIVES. PHONE: +960 332 9827 FAX: +960 332 2835 E-MAIL: info@mtccplc.com</small></p>	PROJECT TITLE R. UNGOOFAARU REGIONAL HOSPITAL EXTENSION	CLIENT & ADDRESS MINISTRY OF HEALTH	DESIGN ARCHITECT: SURVEYING, DESIGN AND DEVELOPMENT SECTION	ENGINEER: IBRAHIM THOAM	STRUCTURAL CHECKER: ABDULLA RAMEEZ	PAPER SCALE A2 AS GWN	DATE 16-07-20	REV	DESCRIPTION	DATE	APPR	SHEET IDENTIFICATION NUMBER
	DRAWING TITLE AS GIVEN	PROJECT LOCATION R. UNGOOFAARU	ARCHITECT: AMINATH ZOONA	ARCHITECTURAL CHECKER: IRUFAN WAHEED	CHECKED BY: AMINATH SAMAHA			A8.03				
<p><small>COPYRIGHT All plans, sketches, drawings, graphic representations and specifications prepared by the Architect(s) &amp; Engineer(s) are instruments of service. The copyright and ownership of both the design and these instruments of service belong to the Architect(s) &amp; Engineer(s) and may not be used for any other project, or sold, or offered for sale by any party other than the Architect/Engineer unless the Architect/Engineer has given written consent. Copies of the documents submitted to the client prepared by the Architect/Engineer may be used as they were intended, once, and on the same site and project.</small></p>												SHEET TITLE 34




3D VISUALS

 <p><b>M T C C</b> MALDIVES TRANSPORT &amp; CONTRACTING COMPANY PLC</p> <p><small>SURVEY DESIGN AND DEVELOPMENT SECTION CONSTRUCTION AND PROJECTS MANAGEMENT DEPARTMENT MTC HOUSE, BICCA, THURUVAANKU, MALE, MALÉ 20181, REPUBLIC OF MALDIVES. PHONE: 9993 122 1622 FAX: +960 333 2820 E-MAIL: design_services@mtcc.com.mv</small></p>	<p>PROJECT TITLE</p> <p><b>R. UNGOOFAARU REGIONAL HOSPITAL EXTENSION</b></p>	<p>CLIENT &amp; ADDRESS</p> <p><b>MINISTRY OF HEALTH</b></p>	<p>DESIGN ARCHITECT:</p> <p>SURVEYING, DESIGN AND DEVELOPMENT SECTION</p>	<table border="1"> <thead> <tr> <th>REV</th> <th>DESCRIPTION</th> <th>DATE</th> <th>APPR</th> </tr> </thead> <tbody> <tr><td> </td><td> </td><td> </td><td> </td></tr> <tr><td> </td><td> </td><td> </td><td> </td></tr> <tr><td> </td><td> </td><td> </td><td> </td></tr> <tr><td> </td><td> </td><td> </td><td> </td></tr> <tr><td> </td><td> </td><td> </td><td> </td></tr> <tr><td> </td><td> </td><td> </td><td> </td></tr> <tr><td> </td><td> </td><td> </td><td> </td></tr> <tr><td> </td><td> </td><td> </td><td> </td></tr> <tr><td> </td><td> </td><td> </td><td> </td></tr> <tr><td> </td><td> </td><td> </td><td> </td></tr> </tbody> </table>	REV	DESCRIPTION	DATE	APPR																																									<p>SHEET IDENTIFICATION NUMBER</p> <p><b>A8.04</b></p>
	REV	DESCRIPTION	DATE	APPR																																													
<p>DRAWING TITLE</p> <p><b>AS GIVEN</b></p>	<p>PROJECT LOCATION</p> <p><b>R. UNGOOFAARU</b></p>	<p>ENGINEER:</p> <p>IBRAHIM THOAM</p>	<p>STRUCTURAL CHECKER:</p> <p>ABDULLA RAMEEZ</p>	<p>PAPER SCALE</p> <p>A2 AS GVN</p>	<p>SHEET TITLE</p> <p>35</p>																																												
<p>ARCHITECT:</p> <p>AMINATH ZOONA</p>	<p>ARCHITECTURAL CHECKER:</p> <p>IRUFAAN WAHEED</p>	<p>DRAWN BY:</p> <p>HASSAN SHAHULAN</p>	<p>CHECKED BY:</p> <p>AMINATH SAMAHA</p>	<p>DATE</p> <p>16-07-20</p>																																													

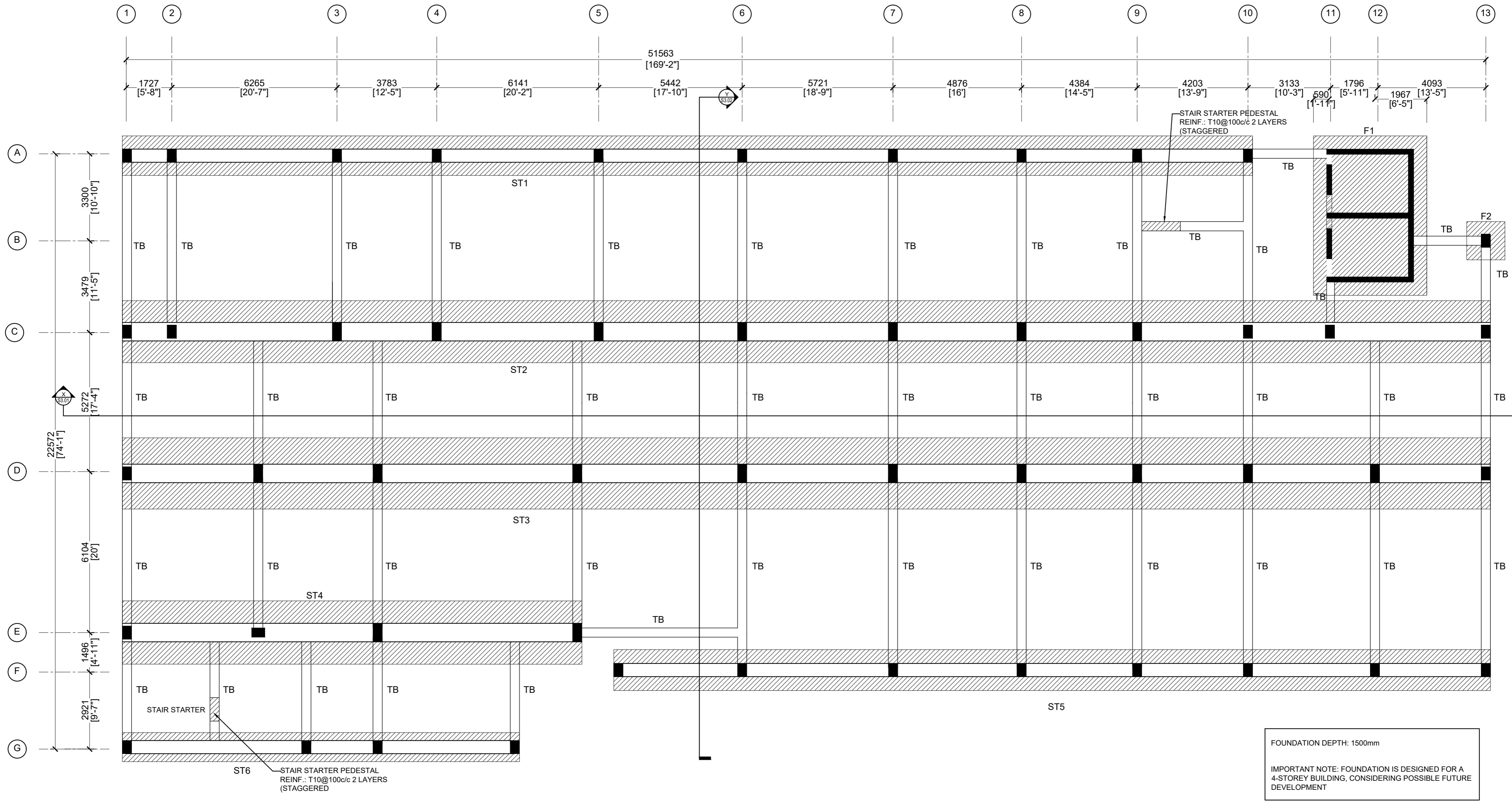
COPYRIGHT IN DESIGN, DRAWINGS, GRAPHIC REPRESENTATIONS AND SPECIFICATIONS PREPARED BY THE ARCHITECT(S) & ENGINEER(S) ARE INSTRUMENTS OF SERVICE. THE COPYRIGHT AND OWNERSHIP OF BOTH THE DESIGN AND THESE INSTRUMENTS OF SERVICE BELONG TO THE ARCHITECT(S) & ENGINEER(S) AND MAY NOT BE USED FOR ANY OTHER PROJECT, OR SOLD, OR OFFERED FOR SALE BY ANY PARTY OTHER THAN THE ARCHITECT/ENGINEER UNLESS THE ARCHITECT/ENGINEER HAS GIVEN WRITTEN CONSENT. COPIES OF THE DOCUMENTS IS/ARE LOANED TO THE CLIENT PREPARED BY THE ARCHITECT/ENGINEER PEOPLE USED AS THEY WERE INTENDED TO BE USED AND ON THE SAME SITE AND PROJECT.



3D VISUALS

 <b>MTCC</b> <b>MALDIVES TRANSPORT &amp; CONTRACTING COMPANY PLC</b> <small>CONSTRUCTION AND PROJECTS MANAGEMENT DEPARTMENT</small> <small>REPUBLIC OF MALDIVES</small> <small>PHONE: (960) 332 4622 FAX: (960) 333 2835</small> <small>E-MAIL: design.development@mtcc.com.mv</small>	PROJECT TITLE	CLIENT & ADDRESS	DESIGN ARCHITECT:	REV	DESCRIPTION	DATE	APPR	SHEET IDENTIFICATION NUMBER
	DRAWING TITLE	PROJECT LOCATION	ENGINEER:					
AS GIVEN	R.UNGGOFAARU	MINISTRY OF HEALTH	SURVEYING, DESIGN AND DEVELOPMENT SECTION	ABRAHIM THOAM	ABDULLA RAMEEZ			A8.05
			ARCHITECT:	ARCHITECTURAL CHECKER:	PAPER	SCALE		
			AMINATH ZOONA	IRUFAN WAHEED	A2	AS GVN		
			DRAWN BY:	CHECKED BY:	DATE			
			HASSAN SHAHULAN	AMINATH SAMAHA	16-07-20			36

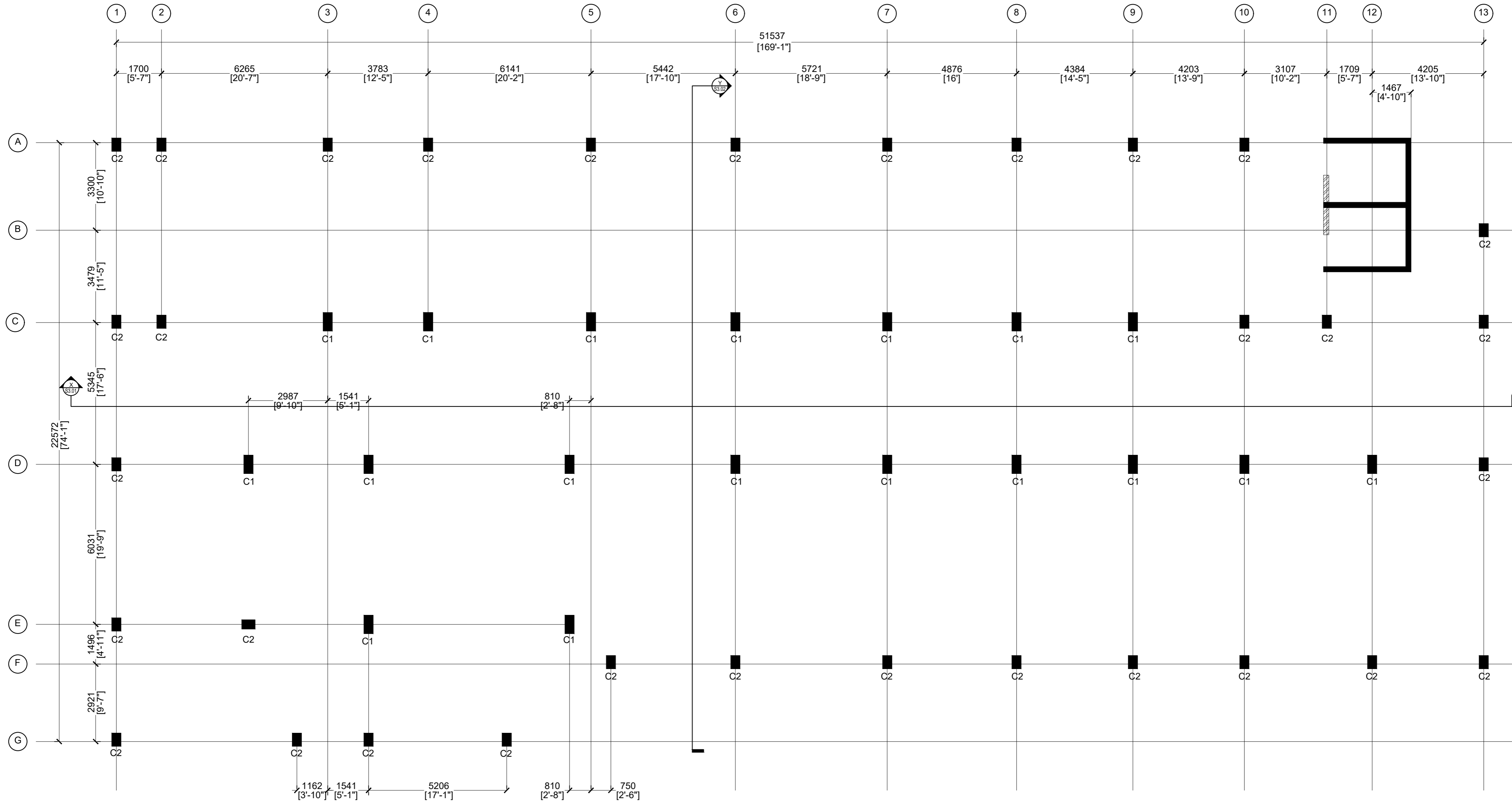
COPYRIGHT All plans, sketches, drawings, graphic representations and specifications prepared by the Architect(s) & Engineer(s) are instruments of service. The copyright and ownership of both the design and these instruments of service belong to the Architect(s) & Engineer(s) and may not be used for any other project, or scale, or offered for sale by any party other than the Architect/Engineer unless the Architect/Engineer has given written consent. Copies of the documents submitted to the client prepared by the Architect/Engineer may be used as they were intended, once, and on the same site and project.




**FOUNDATION PLAN**  
SCALE 1:100  
0 1 2 4 8 METRES

<p><b>MTCC</b> MALDIVES TRANSPORT &amp; CONTRACTING COMPANY PLC</p> <p><small>SURVEY DESIGN AND DEVELOPMENT SECTION CONSTRUCTION AND PROJECTS MANAGEMENT DEPARTMENT MTCO TOWER, BODU THURAI, FANARU MALU, MALE 20181 REPUBLIC OF MALDIVES PHONE: (960) 332 9827 FAX: (960) 333 2833 E-MAIL: design@mtcc.com.mv</small></p>	<p>PROJECT TITLE <b>R. UNGOOFAARU REGIONAL HOSPITAL EXTENSION</b></p>	<p>CLIENT &amp; ADDRESS <b>MINISTRY OF HEALTH</b></p>	<p>DESIGN ARCHITECT: SURVEYING, DESIGN AND DEVELOPMENT SECTION</p>	<p>ENGINEER: BRAHIM THOAM</p>	<p>STRUCTURAL CHECKER: ABULLA RAMEEZ</p>	<p>DATE</p>	<p>APPR</p>	<p>SHEET IDENTIFICATION NUMBER <b>S1.01</b></p> <p>SHEET TITLE 37</p>
	<p>DRAWING TITLE <b>AS GIVEN</b></p>	<p>PROJECT LOCATION <b>R. UNGOOFAARU</b></p>	<p>ARCHITECT: AMINATH ZOONA</p>	<p>ARCHITECTURAL CHECKER: IRUFAN WAHEED</p>	<p>PAPER SCALE A2 AS GVN</p>	<p>CHECKED BY: AMINATH SAMAHA</p>	<p>DATE 16-07-20</p>	

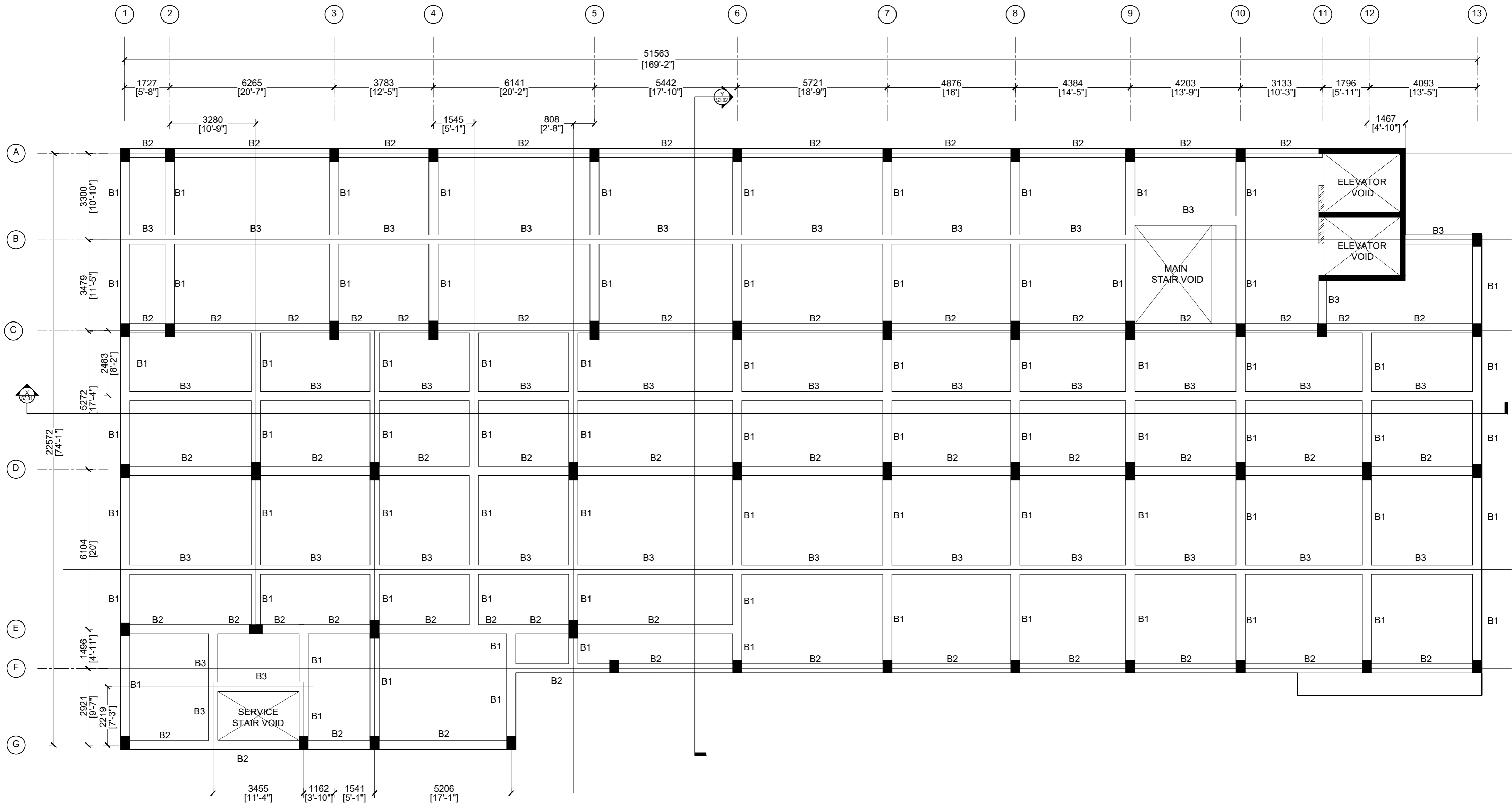
COPYRIGHT All plans, sketches, drawings, graphic representations and specifications prepared by the Architect(s) & Engineer(s) are instruments of service. The copyright and ownership of both the design and these instruments of service belong to the Architect(s) & Engineer(s) and may not be used for any other project, or sold, or altered or used by any party other than the Architect(s) & Engineer(s) has given written consent. Copies of the documents submitted to the client prepared by the Architect(s) & Engineer(s) shall be used as they were intended, once, and on the same site and project.



**COLUMN PLAN**  
SCALE 1:100

 <b>M T C C</b> MALDIVES TRANSPORT & CONTRACTING COMPANY PLC <small>SURVEY DESIGN AND DEVELOPMENT SECTION          CONSTRUCTION AND PROJECTS MANAGEMENT DEPARTMENT          MFCO TOWER, BOOBU THAKURUPAANU, MAALU, MALE 20181.          PHONE: +960 222 8622 FAX: +960 222 3828          E-MAIL: design@maldivetransport.com.mv</small>	<b>PROJECT TITLE</b> R.UNGOOFAARU REGIONAL HOSPITAL EXTENSION	<b>CLIENT &amp; ADDRESS</b> MINISTRY OF HEALTH	<b>DESIGN ARCHITECT:</b> SURVEYING, DESIGN AND DEVELOPMENT SECTION <b>ENGINEER:</b> IBRAHIM THOAM	<b>STRUCTURAL CHECKER:</b> ABDULLA RAMEEZ	<table border="1"> <thead> <tr> <th>REV</th> <th>DESCRIPTION</th> <th>DATE</th> <th>APPR</th> </tr> </thead> <tbody> <tr><td> </td><td> </td><td> </td><td> </td></tr> <tr><td> </td><td> </td><td> </td><td> </td></tr> <tr><td> </td><td> </td><td> </td><td> </td></tr> <tr><td> </td><td> </td><td> </td><td> </td></tr> <tr><td> </td><td> </td><td> </td><td> </td></tr> <tr><td> </td><td> </td><td> </td><td> </td></tr> <tr><td> </td><td> </td><td> </td><td> </td></tr> </tbody> </table>	REV	DESCRIPTION	DATE	APPR																													<b>SHEET IDENTIFICATION NUMBER</b> <b>S1.02</b> <b>SHEET TITLE</b> 38
	REV	DESCRIPTION	DATE	APPR																																		
<b>DRAWING TITLE</b> AS GIVEN	<b>PROJECT LOCATION</b> R.UNGOOFAARU	<b>ARCHITECT:</b> AMINATH ZOONA <b>DRAWN BY:</b> AHMED IMAD	<b>ARCHITECTURAL CHECKER:</b> IRUFAN WAHEED <b>CHECKED BY:</b> AMINATH SAMAHA	<b>PAPER SCALE</b> A2 AS GVN <b>DATE</b> 16-07-20																																		


COPYRIGHT © 2020, Maldives Transport & Contracting Company PLC. All rights reserved. This drawing and its contents are the property of Maldives Transport & Contracting Company PLC and shall not be used for any other project or work, or in whole or in part, without the prior written consent of Maldives Transport & Contracting Company PLC. Copies of this document submitted to the client project by the Architect/Engineer shall be the property of the Architect/Engineer and shall not be used for any other project or work, or in whole or in part, without the prior written consent of the Architect/Engineer.



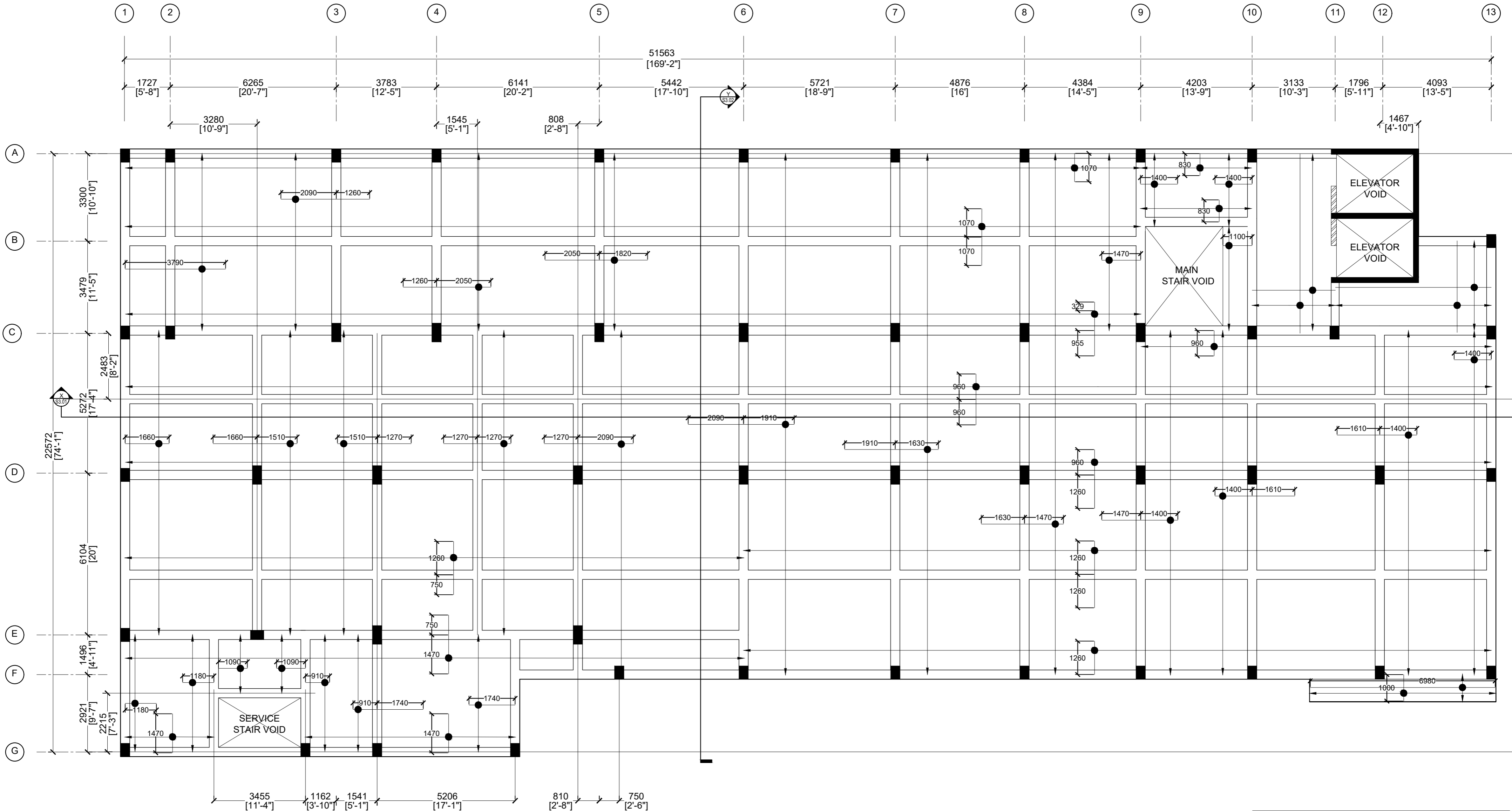
**FIRST FLOOR BEAM PLAN**

SCALE 1:100

0 1 2 4 8 METERS

 <p><b>M.T.C.C.</b> MALDIVES TRANSPORT &amp; CONTRACTING COMPANY PLC SURVEY DESIGN AND DEVELOPMENT SECTION CONSTRUCTION AND PROJECTS MANAGEMENT DEPARTMENT MTCCTOWER, BODU THARAKU FANU, MALE 20181 REPUBLIC OF MALDIVES PHONE: (960) 332 8852 FAX: (960) 333 2839 E-MAIL: design@mtccc.com.mv</p>	<p>PROJECT TITLE R. UNGOOFAARU REGIONAL HOSPITAL EXTENSION</p>	<p>CLIENT &amp; ADDRESS MINISTRY OF HEALTH</p>	<p>DESIGN ARCHITECT: SURVEYING, DESIGN AND DEVELOPMENT SECTION</p>	<table border="1"> <thead> <tr> <th>REV</th> <th>DESCRIPTION</th> <th>DATE</th> <th>APPR</th> </tr> </thead> <tbody> <tr><td> </td><td> </td><td> </td><td> </td></tr> <tr><td> </td><td> </td><td> </td><td> </td></tr> <tr><td> </td><td> </td><td> </td><td> </td></tr> <tr><td> </td><td> </td><td> </td><td> </td></tr> <tr><td> </td><td> </td><td> </td><td> </td></tr> </tbody> </table>	REV	DESCRIPTION	DATE	APPR																					<p>SHEET IDENTIFICATION NUMBER <b>S1.03</b></p>
	REV	DESCRIPTION	DATE	APPR																									
<p>DRAWING TITLE AS GIVEN</p>	<p>PROJECT LOCATION R. UNGOOFAARU</p>	<p>ENGINEER: IBRAHIM THOAM</p>	<p>STRUCTURAL CHECKER: ABDULLA RAMEEZ</p>	<p>PAPER SCALE A2 AS GVN</p>	<p>SHEET TITLE 39</p>																								



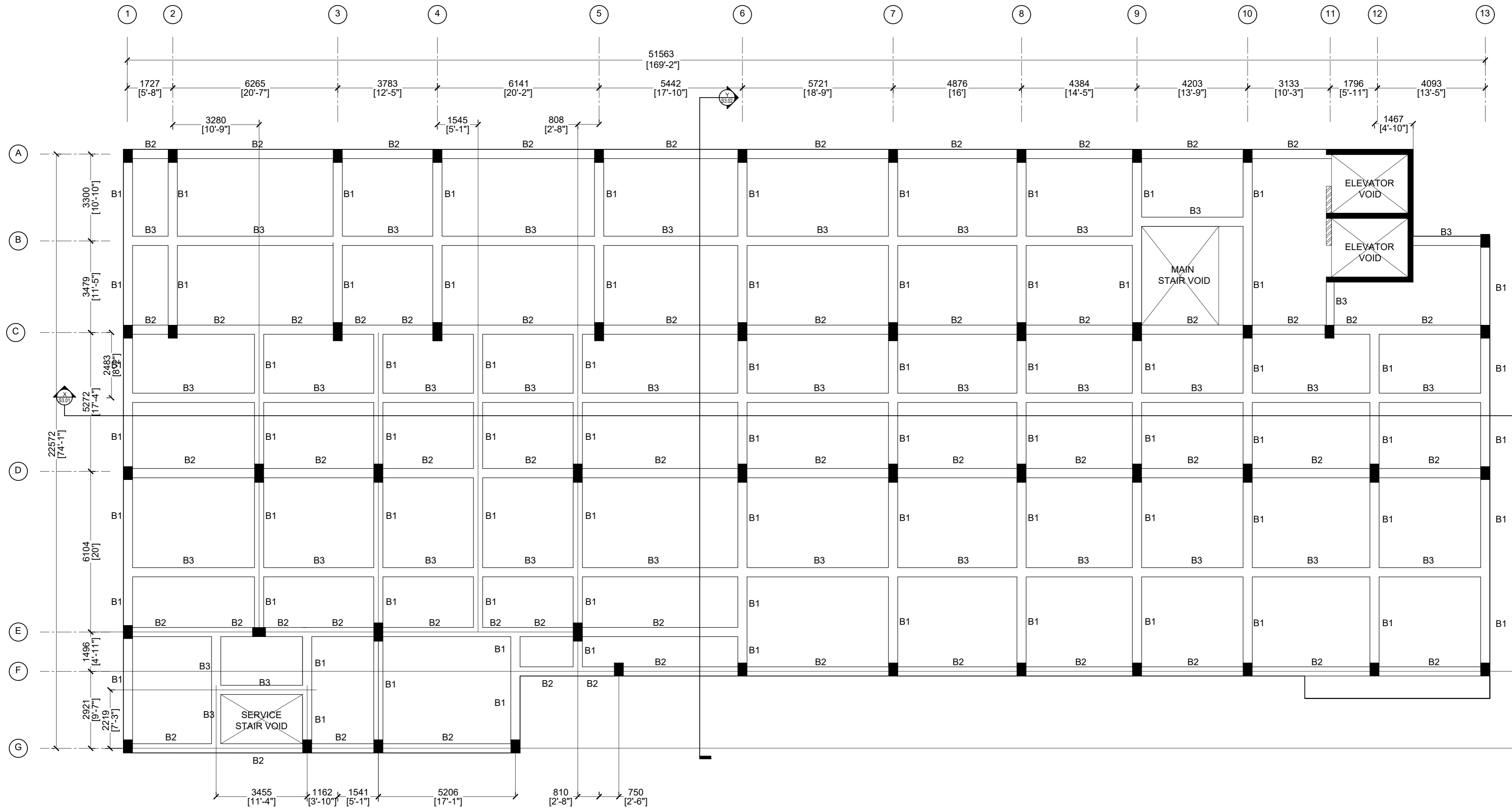


SLAB THICKNESS: 175mm  
 TOP REINFORCEMENT: T10 @ 100mm C/C (AS SHOWN)  
 BOTTOM REINFORCEMENT: T10 @ 125mm C/C, B/W (THROUGHOUT)  
 TOP DISTRIBUTION STEEL T10 @ 300 mm C/C  
 ALL REINFORCEMENTS ARE DISCONTINUOUS OVER VOIDS

**FIRST FLOOR SLAB PLAN**  
 SCALE 1:100


<p><b>M T C C</b> MALDIVES TRANSPORT &amp; CONTRACTING COMPANY PLC</p> <p><small>DESIGN, SURVEYING AND DEVELOPMENT SECTION        CONSTRUCTION AND PROJECTS MANAGEMENT DEPARTMENT        MINISTRY OF HEALTH, MALDIVES        P.O. BOX 233 2005        E-MAIL: design.development@mtrcc.com.mv</small></p>	<p>PROJECT TITLE R. UNGOOFAARU REGIONAL HOSPITAL EXTENSION</p>	<p>CLIENT &amp; ADDRESS MINISTRY OF HEALTH</p>	<p>DESIGN ARCHITECT: SURVEYING, DESIGN AND DEVELOPMENT SECTION</p>	<p>ENGINEER: IBRAHIM THOAM</p>	<p>STRUCTURAL CHECKER: ABDULLA RAMEEZ</p>	<p>PAPER A2</p>	<p>SCALE AS GVN</p>	<p>DATE 16-07-20</p>	<p>DATE</p>	<p>APPR</p>	<p>SHEET IDENTIFICATION NUMBER <b>S1.04</b></p>
	<p>DRAWING TITLE AS GIVEN</p>	<p>PROJECT LOCATION R. UNGOOFAARU</p>	<p>ARCHITECT: AMINATH ZOONA</p>	<p>ARCHITECTURAL CHECKER: IRUFAN WAHEED</p>	<p>CHECKED BY: AMINATH SAMAHA</p>	<p>DATE 16-07-20</p>	<p>DATE</p>	<p>APPR</p>	<p>SHEET TITLE 40</p>		

COPYRIGHT © plans, sketches, drawings, graphic representations and specifications prepared by the Architect(s) & Engineer(s) are instruments of service. The copyright and ownership of both the design and these instruments of service belong to the Architect(s) & Engineer(s) and may not be used for any other project, or sold, or offered for sale by any party other than the Architect/Engineer unless the Architect/Engineer has given written consent. Copies of the documents submitted to the client prepared by the Architect/Engineer may be used as they were intended, copied, and on the same site and project.

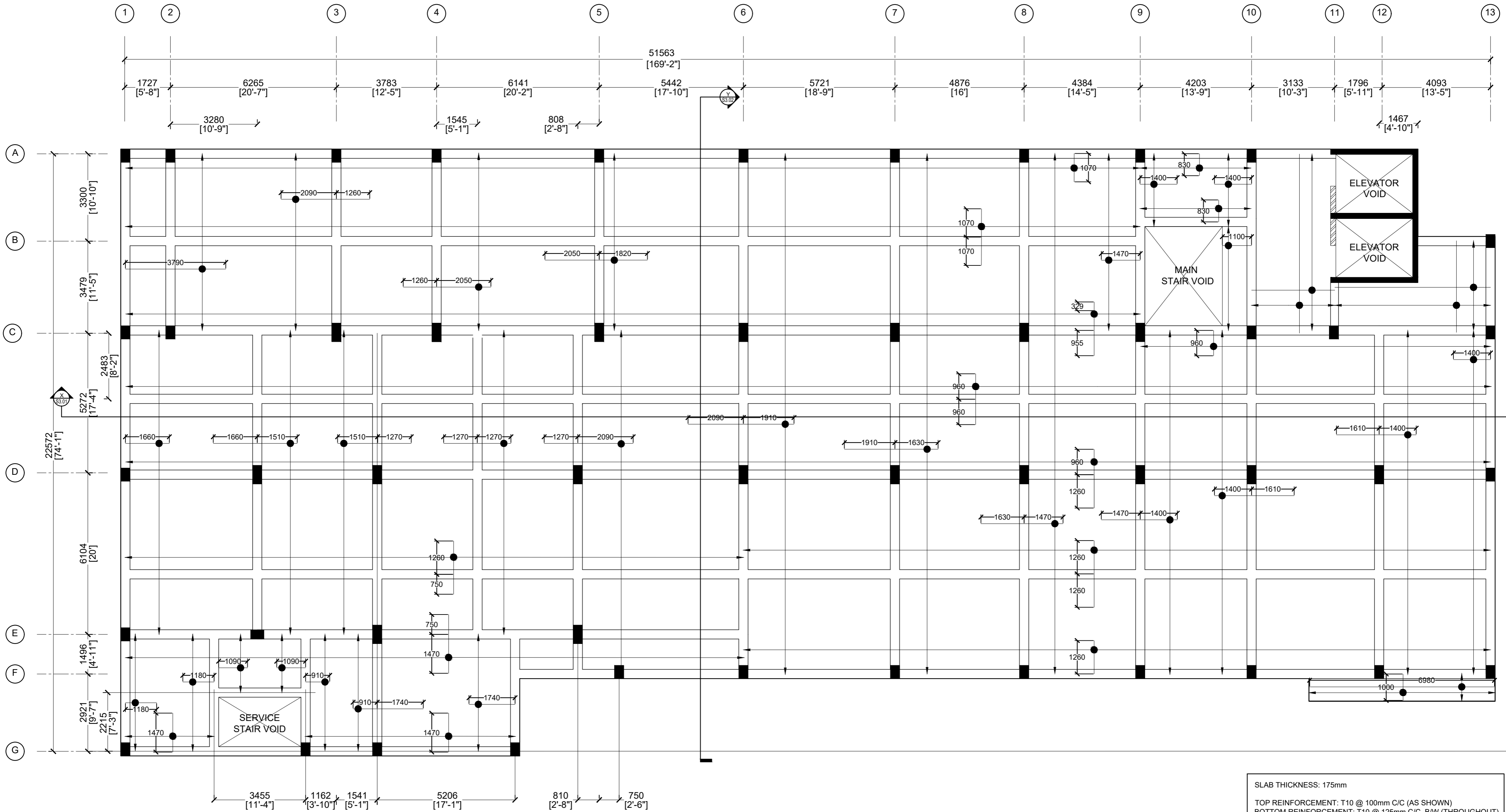


**SECOND & THIRD FLOOR BEAM PLAN**

SCALE 1:100  
0 1 2 4 8 METERS

 <b>MTCC</b> MALDIVES TRANSPORT & CONTRACTING COMPANY PLC <small>SURVEY DESIGN AND DEVELOPMENT SECTION          CONSTRUCTION AND PROJECTS MANAGEMENT DEPARTMENT          MTC TOWER, BODU THORU, FANJALIMA, MALÉ 20148          REPUBLIC OF MALDIVES          PHONE: +960 332 6822 FAX: +960 333 2835          E-MAIL: design.development@mtcc.com.mv</small>	PROJECT TITLE <b>R.UNGOOFAARU REGIONAL HOSPITAL EXTENSION</b>	CLIENT & ADDRESS <b>MINISTRY OF HEALTH</b>	DESIGN ARCHITECT: SURVEYING, DESIGN AND DEVELOPMENT SECTION ENGINEER: IBRAHIM THOAM	STRUCTURAL CHECKER: ABDULLA RAMEEZ	REV DESCRIPTION DATE APPR	SHEET IDENTIFICATION NUMBER <b>S1.05</b>
	DRAWING TITLE <b>AS GIVEN</b>	PROJECT LOCATION <b>R.UNGOOFAARU</b>	ARCHITECT: AMINATH ZOONA DRAWN BY: AHMED IMAD	ARCHITECTURAL CHECKER: IRUFAN WAHEED CHECKED BY: AMINATH SAMAHA	PAPER A2 SCALE AS GVN DATE 15-07-20	SHEET TITLE <b>41</b>

COPYRIGHT All plans, sketches, drawings, graphic representations and specifications prepared by the Architect(s) & Engineer(s) are instruments of service. The copyright and ownership of both the design and these instruments of service belong to the Architect(s) & Engineer(s) and may not be used for any other project, or sold, or offered for sale by any party other than the Architect/Engineer unless the Architect/Engineer has given written consent. Copies of the documents submitted to the client prepared by the Architect/Engineer may be used as they were intended, once, and on the same site and project.



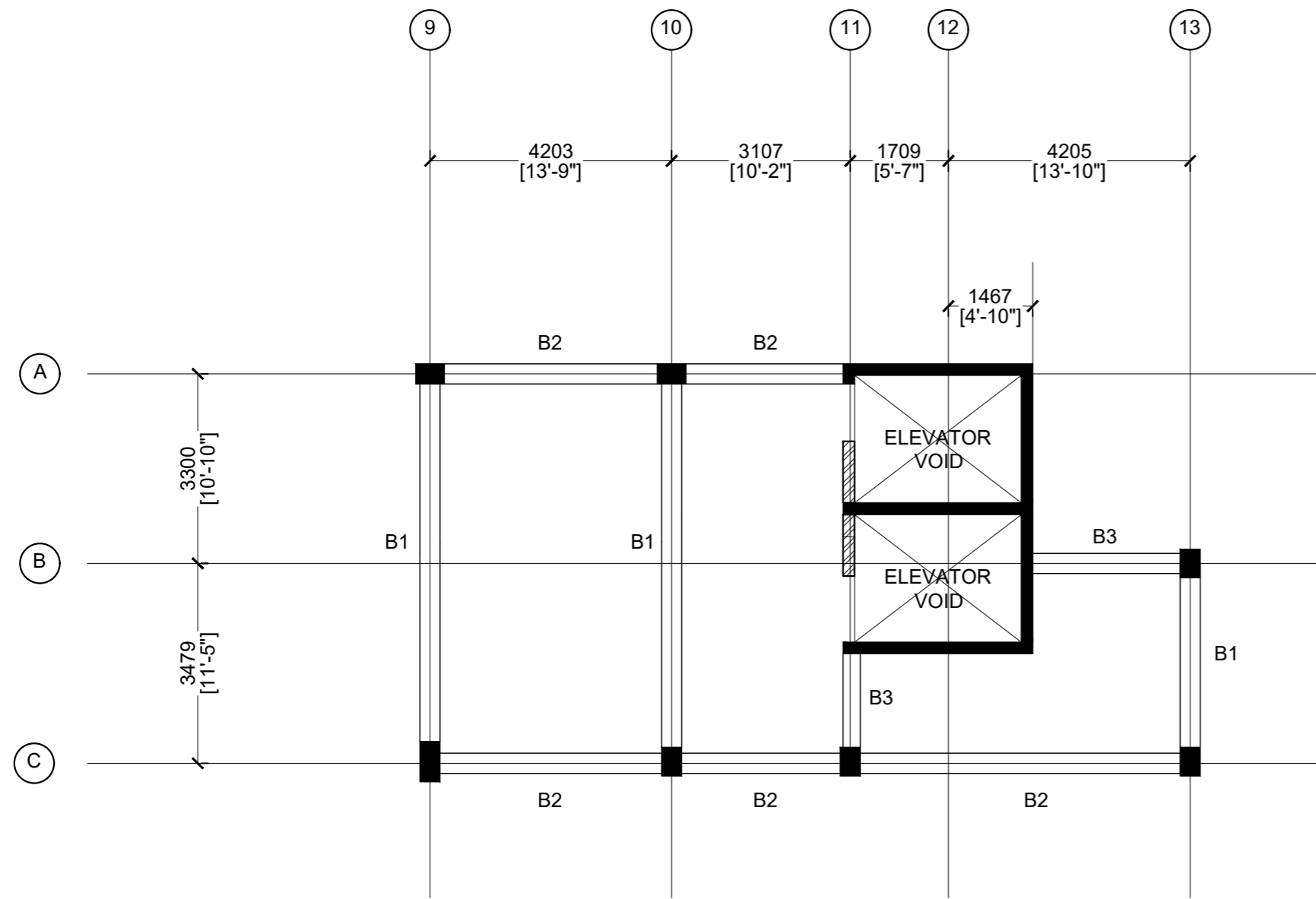
SLAB THICKNESS: 175mm  
 TOP REINFORCEMENT: T10 @ 100mm C/C (AS SHOWN)  
 BOTTOM REINFORCEMENT: T10 @ 125mm C/C, B/W (THROUGHOUT)  
 TOP DISTRIBUTION STEEL T10 @ 300 mm C/C  
 ALL REINFORCEMENTS ARE DISCONTINUOUS OVER VOIDS

**SECOND & THIRD FLOOR SLAB PLAN**

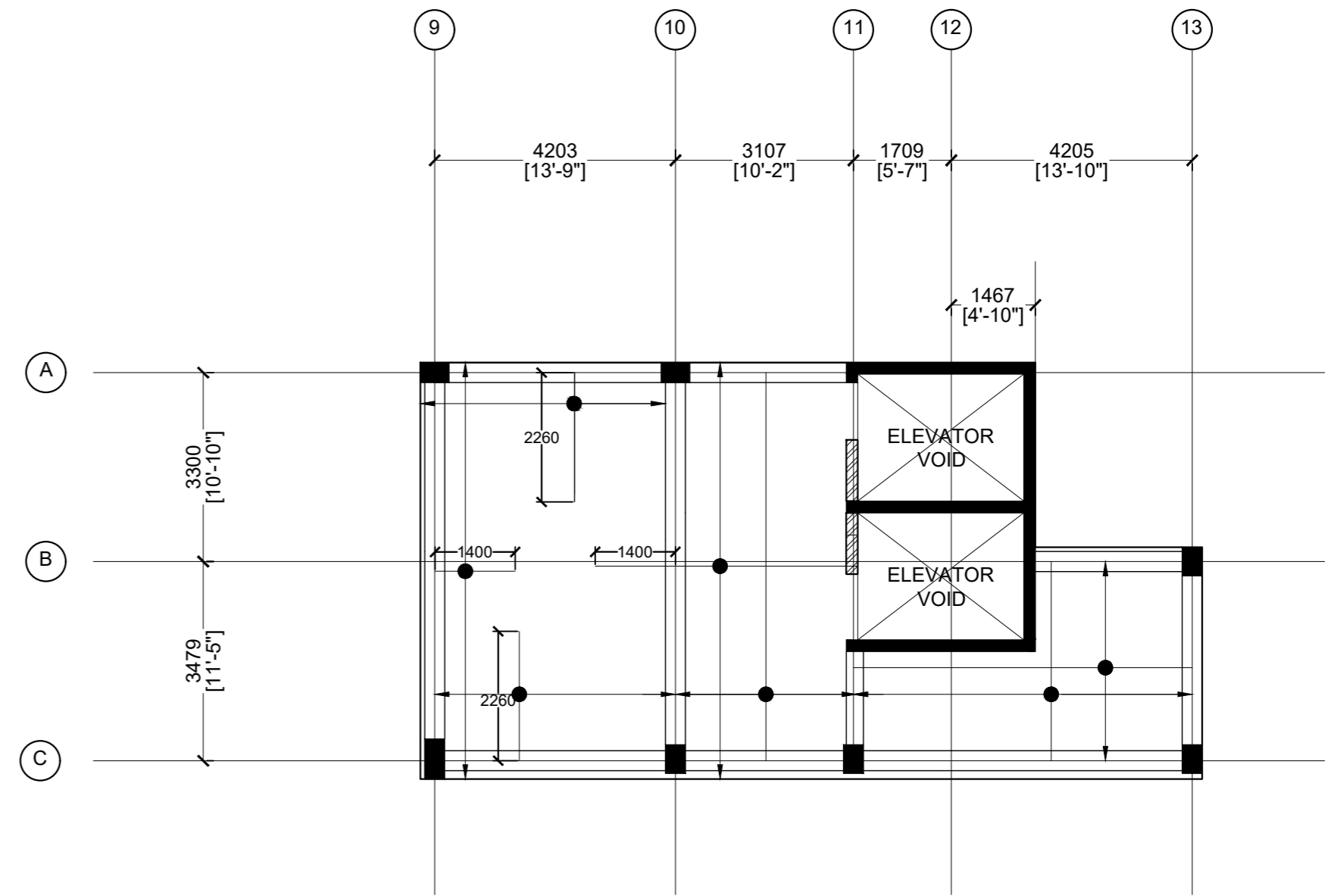
SCALE 1:100  
 0 1 2 4 8 METERS

<p><b>MTC</b> MALDIVES TRANSPORT &amp; CONTRACTING COMPANY PLC</p> <p><small>SURVEYING AND DEVELOPMENT SECTION        CONSTRUCTION AND PROJECTS MANAGEMENT DEPARTMENT        MTC CENTER, BOCCA THORU, MAHA SAMAHA ROAD, 20141        REPUBLIC OF MALDIVES        PHONE: +960 332 8822 FAX: +960 333 2828        E-MAIL: design@mtcc.com.mv</small></p>	<p>PROJECT TITLE          RUNGOOFAARU REGIONAL HOSPITAL EXTENSION</p>	<p>CLIENT &amp; ADDRESS          MINISTRY OF HEALTH</p>	<p>DESIGN ARCHITECT:          SURVEYING, DESIGN AND DEVELOPMENT SECTION</p>	<p>ENGINEER:          IBRAHIM THOAM</p>	<p>STRUCTURAL CHECKER:          ABDULLA RAMEEZ</p>	<p>DATE          16-07-20</p>	<p>APPR</p>	<p>SHEET IDENTIFICATION NUMBER  <b>S1.06</b>          SHEET TITLE          42</p>
	<p>DRAWING TITLE          AS GIVEN</p>	<p>PROJECT LOCATION          RUNGOOFAARU</p>	<p>ARCHITECT:          AMINATH ZOONA</p>	<p>ARCHITECTURAL CHECKER:          IRUFAN WAHEED</p>	<p>CHECKED BY:          AMINATH SAMAHA</p>	<p>PAPER          A2</p>	<p>SCALE          AS GWN</p>	

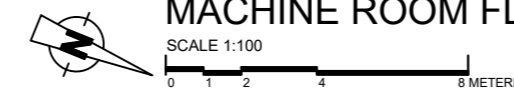
COPYRIGHT All plans, sketches, drawings, graphic representations and applications prepared by the Architect(s) & Engineer(s) are instruments of service. The copyright and ownership of both the design and these instruments of service belong to the Architect(s) & Engineer(s) and may not be used for any other project, or site, or offered for sale by any party other than the Architect/Engineer unless the Architect/Engineer has given written consent. Copies of the documents submitted to the client prepared by the Architect/Engineer may be used as they were intended: once, and on the same site and project.



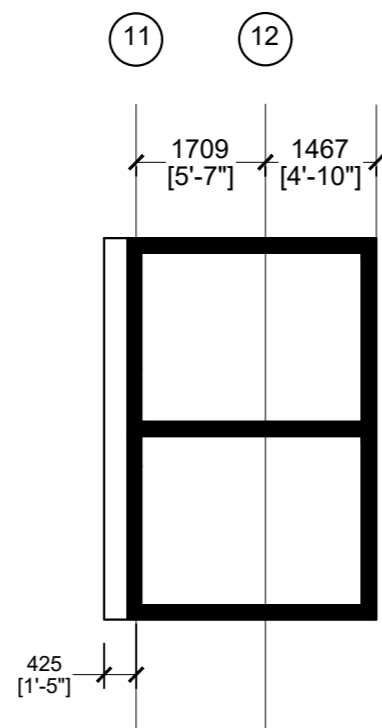
MACHINE ROOM FLOOR BEAM PLAN



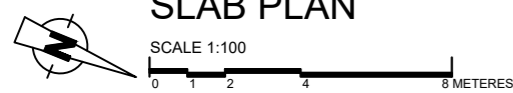
MACHINE ROOM FLOOR SLAB PLAN



SLAB THICKNESS: 150mm  
 TOP REINFORCEMENT: T10 @ 200mm C/C (AS SHOWN)  
 BOTTOM REINFORCEMENT: T10 @ 200mm C/C, B/W (THROUGHOUT)  
 ALL REINFORCEMENT ARE DISCONTINUOUS OVER VOIDS

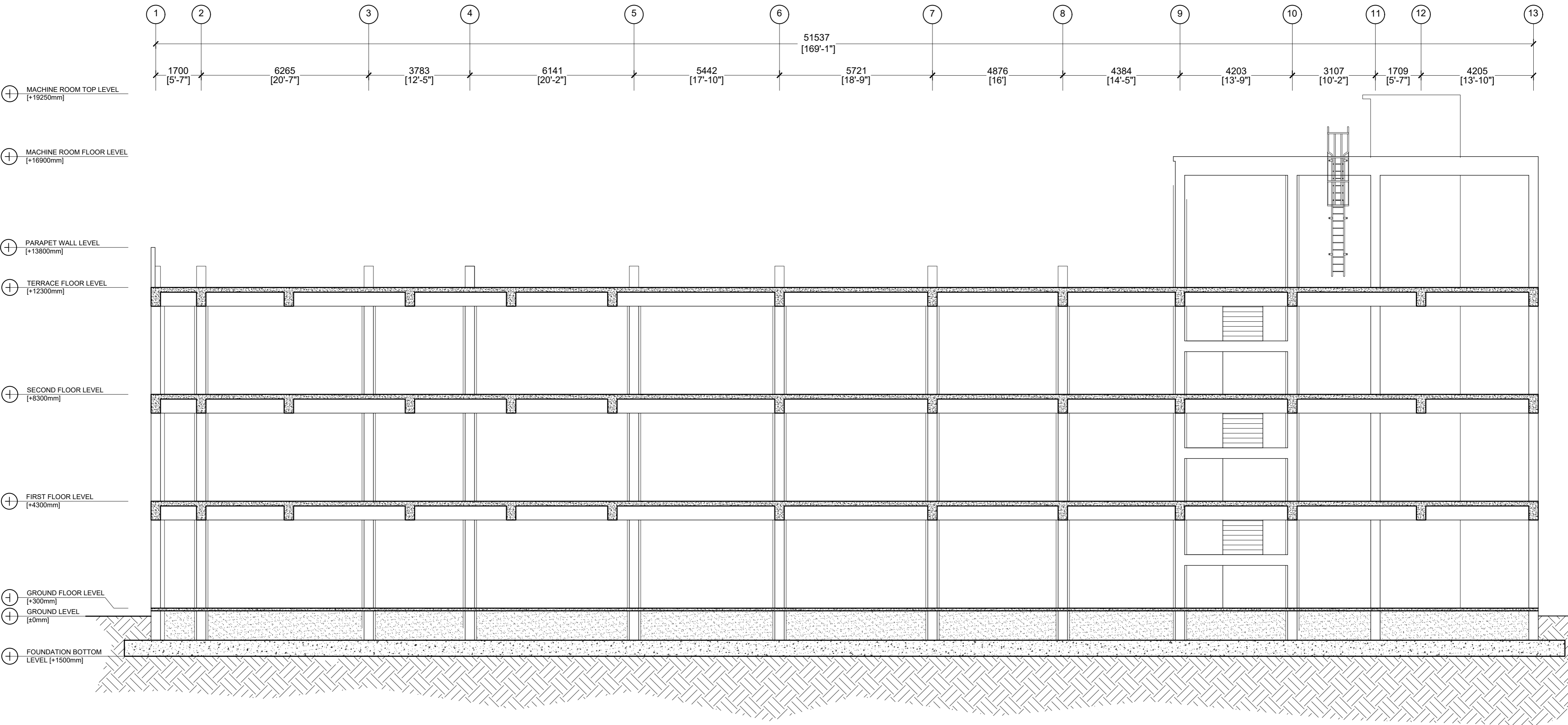


MACHINE ROOM ROOF SLAB PLAN



SLAB THICKNESS: 150mm  
 TOP REINFORCEMENT: T10 @ 200mm C/C (THROUGHOUT)  
 BOTTOM REINFORCEMENT: T10 @ 200mm C/C, B/W (THROUGHOUT)

<p><b>M T C C</b> MALDIVES TRANSPORT &amp; CONTRACTING COMPANY PLC</p> <p><small>SURVEY DESIGN AND DEVELOPMENT SECTION CONSTRUCTION AND PROJECT MANAGEMENT DEPARTMENT MTC TOWER, ROAD TO HARGOLLA, MALE, MALDIVES REPUBLIC OF MALDIVES PHONE: +960 332 8822 FAX: +960 333 2855 E-MAIL: design@mvmtcc.com.mv</small></p>	<p>PROJECT TITLE R.UNGOOFAARU REGIONAL HOSPITAL EXTENSION</p>	<p>CLIENT &amp; ADDRESS MINISTRY OF HEALTH</p>	<p>DESIGN ARCHITECT: SURVEYING, DESIGN AND DEVELOPMENT SECTION</p>	<p>ENGINEER: IBRAHIM THOAM</p>	<p>STRUCTURAL CHECKER: ABDULLA RAMEEZ</p>	<p>REV</p>	<p>DESCRIPTION</p>	<p>DATE</p>	<p>APPR</p>	<p>SHEET IDENTIFICATION NUMBER</p>
	<p>DRAWING TITLE AS GIVEN</p>	<p>PROJECT LOCATION R.UNGOOFAARU</p>	<p>ARCHITECT: AMINATH ZOONA</p>	<p>ARCHITECTURAL CHECKER: IRUFAN WAHEED</p>	<p>PAPER SCALE A2 AS GVN</p>	<p>DATE 16-07-20</p>	<p>DESCRIPTION</p>	<p>DATE</p>	<p>APPR</p>	<p>SHEET TITLE S1.07</p>

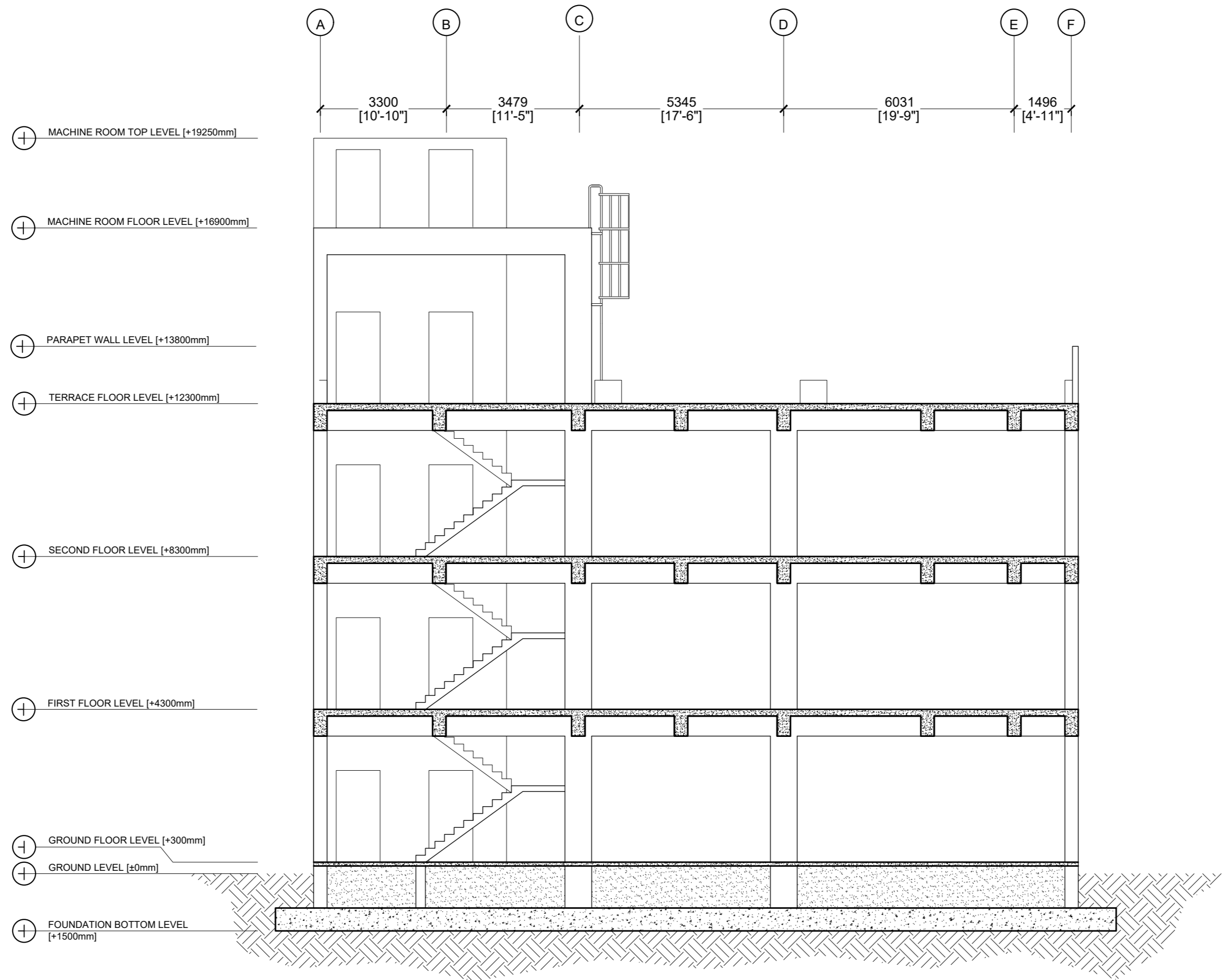


STRUCTURAL SECTION X-X

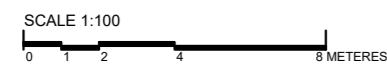


<p><b>M T C C</b> MALDIVES TRANSPORT &amp; CONTRACTING COMPANY PLC</p> <p>CONSTRUCTION AND PROJECTS MANAGEMENT DEPARTMENT MTCO TOWER, ROOM 1001, THURSDAY MARKET, MALÉ, 20181 REPUBLIC OF MALDIVES PHONE: +960 332 8802 FAX: +960 333 2835 E-MAIL: design.development@mtrcc.com.mv</p>	<p>PROJECT TITLE R. UNGOOFAARU REGIONAL HOSPITAL EXTENSION</p>	<p>CLIENT &amp; ADDRESS MINISTRY OF HEALTH</p>	<p>DESIGN ARCHITECT: SURVEYING, DESIGN AND DEVELOPMENT SECTION</p>	<p>ENGINEER: IBRAHIM THOAM</p>	<p>STRUCTURAL CHECKER: ABDULLA RAMEEZ</p>	<p>REV</p>	<p>DESCRIPTION</p>	<p>DATE</p>	<p>APPR</p>	<p>SHEET IDENTIFICATION NUMBER</p>
	<p>DRAWING TITLE AS GIVEN</p>	<p>PROJECT LOCATION R. UNGOOFAARU</p>	<p>ARCHITECT: AMINATH ZOONA</p>	<p>ARCHITECTURAL CHECKER: IRUFAN WAHEED</p>	<p>PAPER A2</p>	<p>SCALE AS GVN</p>	<p>DATE 16-07-20</p>	<p>DRAWN BY: AHMED IMAD</p>	<p>CHECKED BY: AMINATH SAMAHA</p>	<p>SHEET TITLE 44</p>

COPYRIGHT All plans, drawings, designs, graphic representations and specifications prepared by the Architect(s) & Engineer(s) are instruments of service. The copyright and ownership of both the design and these instruments of service belong to the Architect(s) & Engineer(s) and may not be used for any other project, or sold, or offered for sale by any party other than the Architect/Engineer unless the Architect/Engineer has given written consent. Copies of the documents submitted to the client prepared by the Architect/Engineer may be used as they were intended, once, and on the same site and project.

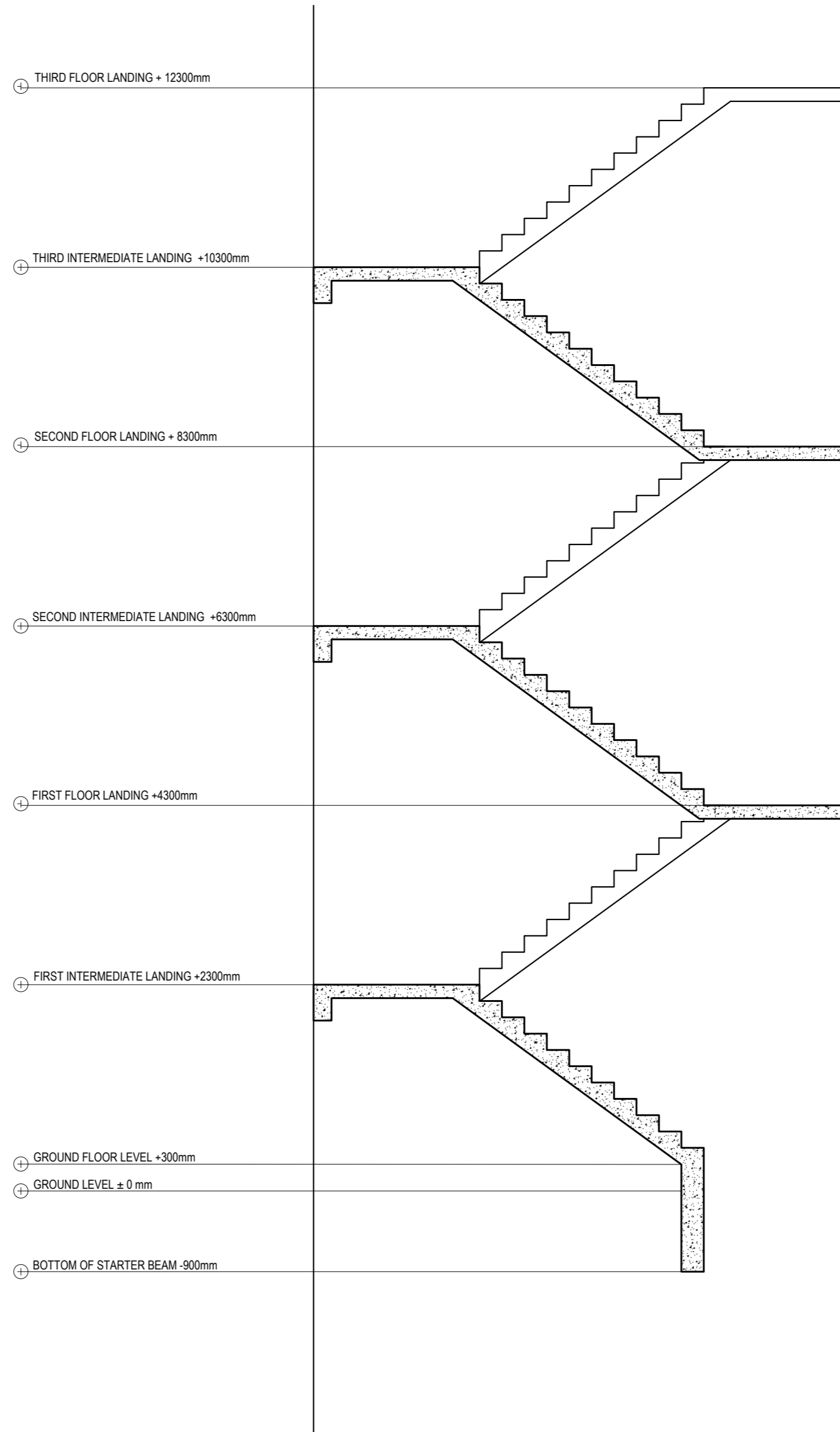


STRUCTURAL SECTION Y-Y

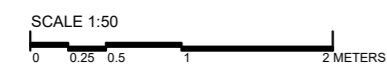



<p><b>M T C C</b> MALDIVES TRANSPORT &amp; CONTRACTING COMPANY PLC</p> <p><small>REVENUE AND DEVELOPMENT SECTION CONSTRUCTION AND PROJECTS MANAGEMENT DEPARTMENT MINISTRY OF HEALTH, MALDIVES REPUBLIC OF MALDIVES PHONE: (999) 333 3333 E-MAIL: design@mtcc.com.mv</small></p>	<p>PROJECT TITLE R.UNGOOFAARU REGIONAL HOSPITAL EXTENSION</p>	<p>CLIENT &amp; ADDRESS MINISTRY OF HEALTH</p>	<p>DESIGN ARCHITECT: SURVEYING, DESIGN AND DEVELOPMENT SECTION</p>	<table border="1"> <thead> <tr> <th>REV</th> <th>DESCRIPTION</th> <th>DATE</th> <th>APPR</th> </tr> </thead> <tbody> <tr><td> </td><td> </td><td> </td><td> </td></tr> <tr><td> </td><td> </td><td> </td><td> </td></tr> <tr><td> </td><td> </td><td> </td><td> </td></tr> <tr><td> </td><td> </td><td> </td><td> </td></tr> <tr><td> </td><td> </td><td> </td><td> </td></tr> <tr><td> </td><td> </td><td> </td><td> </td></tr> <tr><td> </td><td> </td><td> </td><td> </td></tr> <tr><td> </td><td> </td><td> </td><td> </td></tr> <tr><td> </td><td> </td><td> </td><td> </td></tr> </tbody> </table>	REV	DESCRIPTION	DATE	APPR																																					<p>SHEET IDENTIFICATION NUMBER <b>S3.02</b></p>
	REV	DESCRIPTION	DATE	APPR																																									
<p>DRAWING TITLE AS GIVEN</p>	<p>PROJECT LOCATION R.UNGOOFAARU</p>	<p>ARCHITECT: AMINATH ZOONA</p>	<p>STRUCTURAL CHECKER: ABDULLA RAMEEZ</p>	<p>PAPER SCALE A2 AS GVN</p>	<p>SHEET TITLE 45</p>																																								

COPYRIGHT All plans, drawings, graphics, specifications and specifications prepared by the Architect(s) & Engineer(s) are instruments of service. The copyright and ownership of both the design and these instruments of service belong to the Architect(s) & Engineer(s) and may not be used for any other project, or sold, or offered for sale by any party other than the Architect/Engineer unless the Architect/Engineer has given written consent. Copies of the documents submitted to the client prepared by the Architect/Engineer may be used as they were intended, once, and on the same site and project.

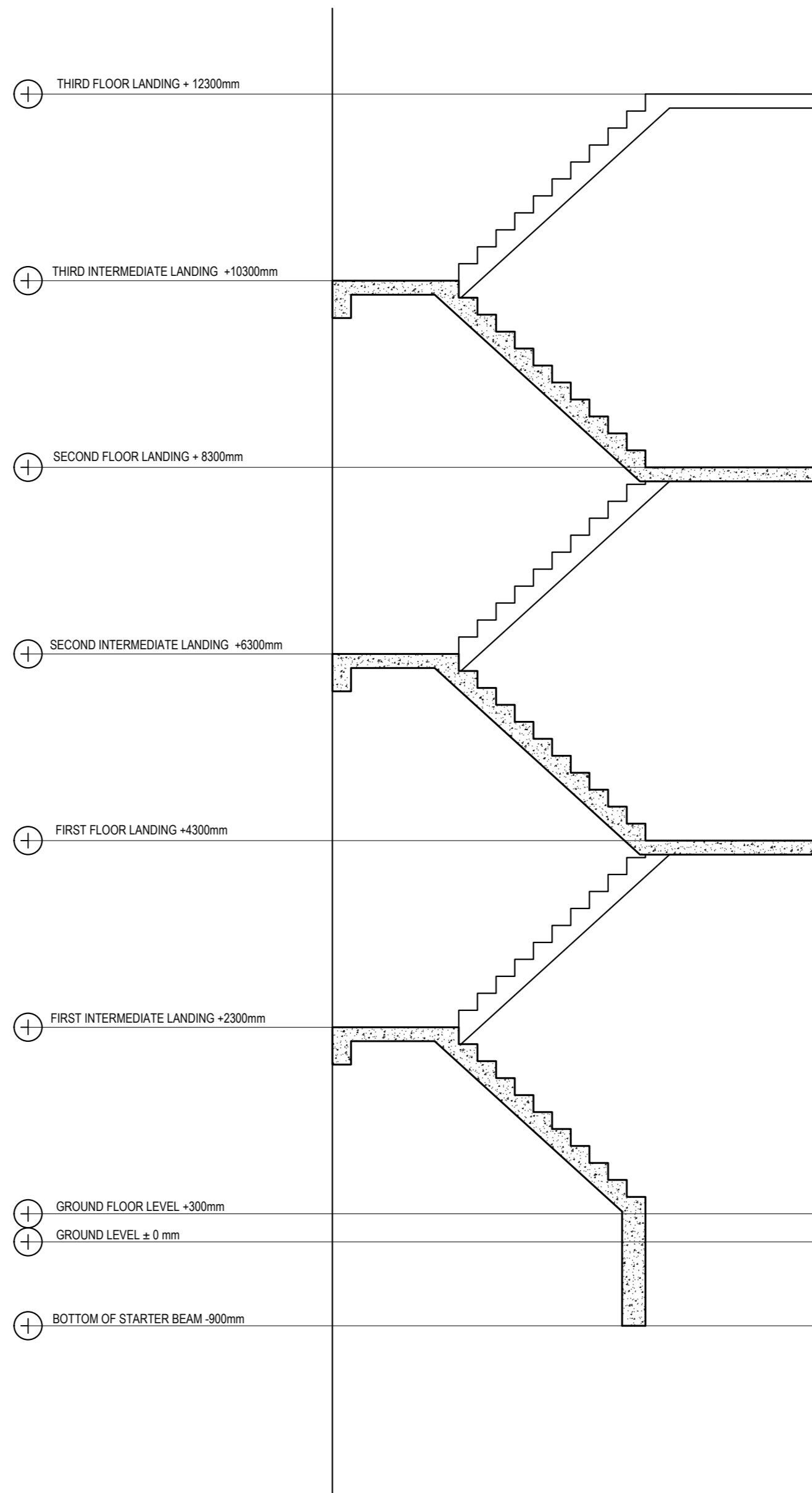


**MAIN STAIR CASE DETAILS**

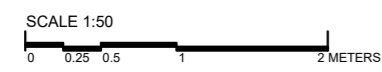



 <b>M T C C</b> MALDIVES TRANSPORT & CONTRACTING COMPANY PLC <small>SURVEYING AND DEVELOPMENT SECTION          CONSTRUCTION AND PROJECTS MANAGEMENT DEPARTMENT          #102 TORRES ROAD THURUPAARA MALÉ 20149          REPUBLIC OF MALDIVES          PHONE: +960 333 8822 FAX: +960 333 3835          E-MAIL: design@mvtransport.com.mv</small>	PROJECT TITLE <b>R.UNGOOFAARU REGIONAL HOSPITAL EXTENSION</b>	CLIENT & ADDRESS <b>MINISTRY OF HEALTH</b>	DESIGN ARCHITECT: SURVEYING, DESIGN AND DEVELOPMENT SECTION		<table border="1"> <thead> <tr> <th>REV</th> <th>DESCRIPTION</th> <th>DATE</th> <th>APPR</th> </tr> </thead> <tbody> <tr><td> </td><td> </td><td> </td><td> </td></tr> <tr><td> </td><td> </td><td> </td><td> </td></tr> <tr><td> </td><td> </td><td> </td><td> </td></tr> <tr><td> </td><td> </td><td> </td><td> </td></tr> <tr><td> </td><td> </td><td> </td><td> </td></tr> <tr><td> </td><td> </td><td> </td><td> </td></tr> <tr><td> </td><td> </td><td> </td><td> </td></tr> <tr><td> </td><td> </td><td> </td><td> </td></tr> <tr><td> </td><td> </td><td> </td><td> </td></tr> </tbody> </table>	REV	DESCRIPTION	DATE	APPR																																					<table border="1"> <thead> <tr> <th>DATE</th> <th>APPR</th> </tr> </thead> <tbody> <tr><td> </td><td> </td></tr> <tr><td> </td><td> </td></tr> <tr><td> </td><td> </td></tr> <tr><td> </td><td> </td></tr> <tr><td> </td><td> </td></tr> <tr><td> </td><td> </td></tr> <tr><td> </td><td> </td></tr> <tr><td> </td><td> </td></tr> <tr><td> </td><td> </td></tr> </tbody> </table>	DATE	APPR																			SHEET IDENTIFICATION NUMBER <b>S5.01</b> SHEET TITLE 46
	REV	DESCRIPTION	DATE	APPR																																																															
DATE	APPR																																																																		
DRAWING TITLE <b>AS GIVEN</b>	PROJECT LOCATION <b>R.UNGOOFAARU</b>	ENGINEER: IBRAHIM THOAM	STRUCTURAL CHECKER: ABDULLA RAMEEZ	ARCHITECT: AMINATH ZOONA	ARCHITECTURAL CHECKER: IRUFAN WAHEED	PAPER SCALE A2 AS GVN																																																													
		DRAWN BY: AHMED IMAD		CHECKED BY: AMINATH SAMAHA		DATE 16-07-20																																																													

COPYRIGHT All plans, sketches, drawings, graphic representations and specifications prepared by the Architect(s) & Engineer(s) are instruments of service. The copyright and ownership of both the design and these instruments of service belong to the Architect(s) & Engineer(s) and may not be used for any other project, or sold, or offered for sale by any party other than the Architect/Engineer unless the Architect/Engineer has given written consent. Copies of the documents submitted to the client prepared by the Architect/Engineer may be used as they were intended, on-site and on the same site and project.



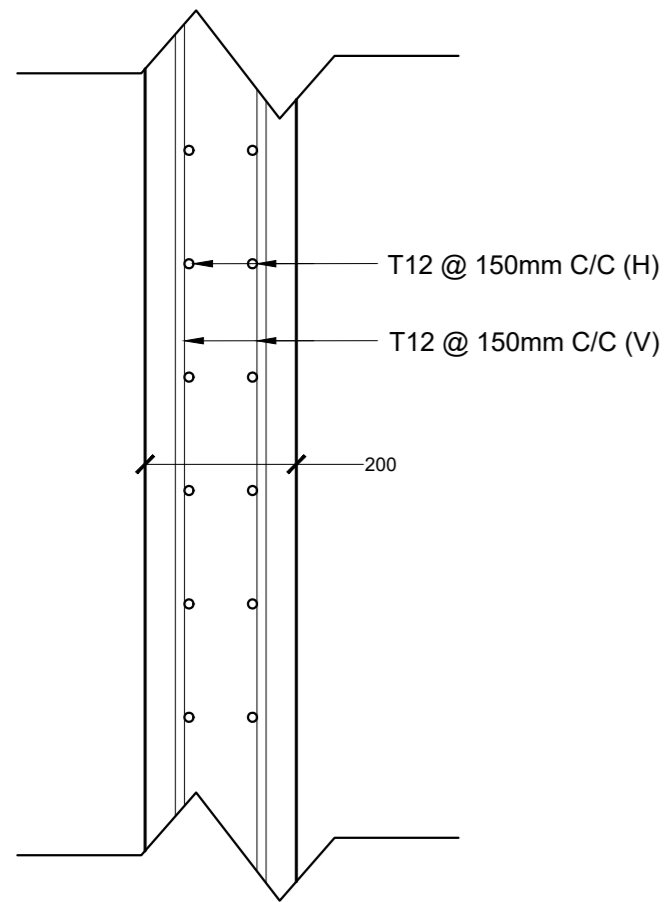
**SERVICE STAIR CASE DETAILS**



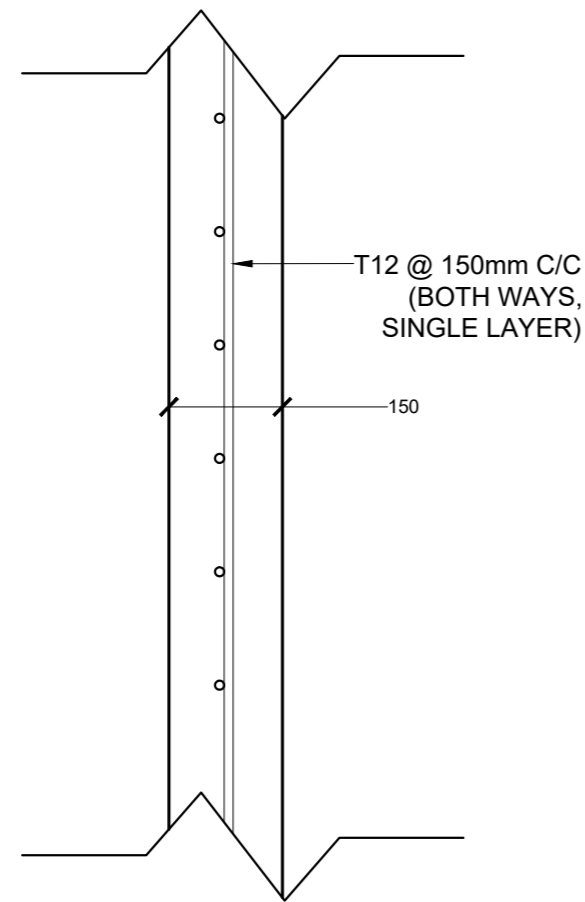
 <b>MTCC</b> MALDIVES TRANSPORT & CONTRACTING COMPANY PLC <small>DESIGN DIVISION AND DEVELOPMENT SECTION          CONSTRUCTION AND PROJECTS MANAGEMENT DEPARTMENT          MTCC TOWER, BODU THANGU, FAARU ISLAND, MALÉ 20141          REPUBLIC OF MALDIVES          PHONE: +960 332 8822 FAX: +960 333 2833          E-MAIL: design.development@mtcc.com.nv</small>	PROJECT TITLE <b>R.UNGOOFAARU REGIONAL HOSPITAL EXTENSION</b>	CLIENT & ADDRESS <b>MINISTRY OF HEALTH</b>	DESIGN ARCHITECT: SURVEYING, DESIGN AND DEVELOPMENT SECTION ENGINEER: IBRAHIM THOAM	STRUCTURAL CHECKER: ABDULLA RAMEEZ	<table border="1"> <thead> <tr> <th>REV</th> <th>DESCRIPTION</th> <th>DATE</th> <th>APPR</th> </tr> </thead> <tbody> <tr><td> </td><td> </td><td> </td><td> </td></tr> <tr><td> </td><td> </td><td> </td><td> </td></tr> <tr><td> </td><td> </td><td> </td><td> </td></tr> <tr><td> </td><td> </td><td> </td><td> </td></tr> <tr><td> </td><td> </td><td> </td><td> </td></tr> <tr><td> </td><td> </td><td> </td><td> </td></tr> <tr><td> </td><td> </td><td> </td><td> </td></tr> </tbody> </table>	REV	DESCRIPTION	DATE	APPR																													SHEET IDENTIFICATION NUMBER <b>S5.02</b> SHEET TITLE 47
	REV	DESCRIPTION	DATE	APPR																																		
DRAWING TITLE AS GIVEN	PROJECT LOCATION <b>R.UNGOOFAARU</b>	ARCHITECT: AMINATH ZOONA DRAWN BY: AHMED IMAD	ARCHITECTURAL CHECKER: IRUFAN WAHEED CHECKED BY: AMINATH SAMAHA	PAPER A2 SCALE AS GVN DATE 16-07-20																																		

COPYRIGHT All plans, sections, drawings, graphic representations and specifications prepared by the Architect(s) & Engineer(s) are instruments of service. The copyright and ownership of both the design and these instruments of service belong to the Architect(s) & Engineer(s) and may not be used for any other project, or sold, or offered for sale by any party other than the Architect/Engineer unless the Architect/Engineer has given written consent. Copies of the documents submitted to the client prepared by the Architect/Engineer may be used as they were intended, once, and on the same site and project.

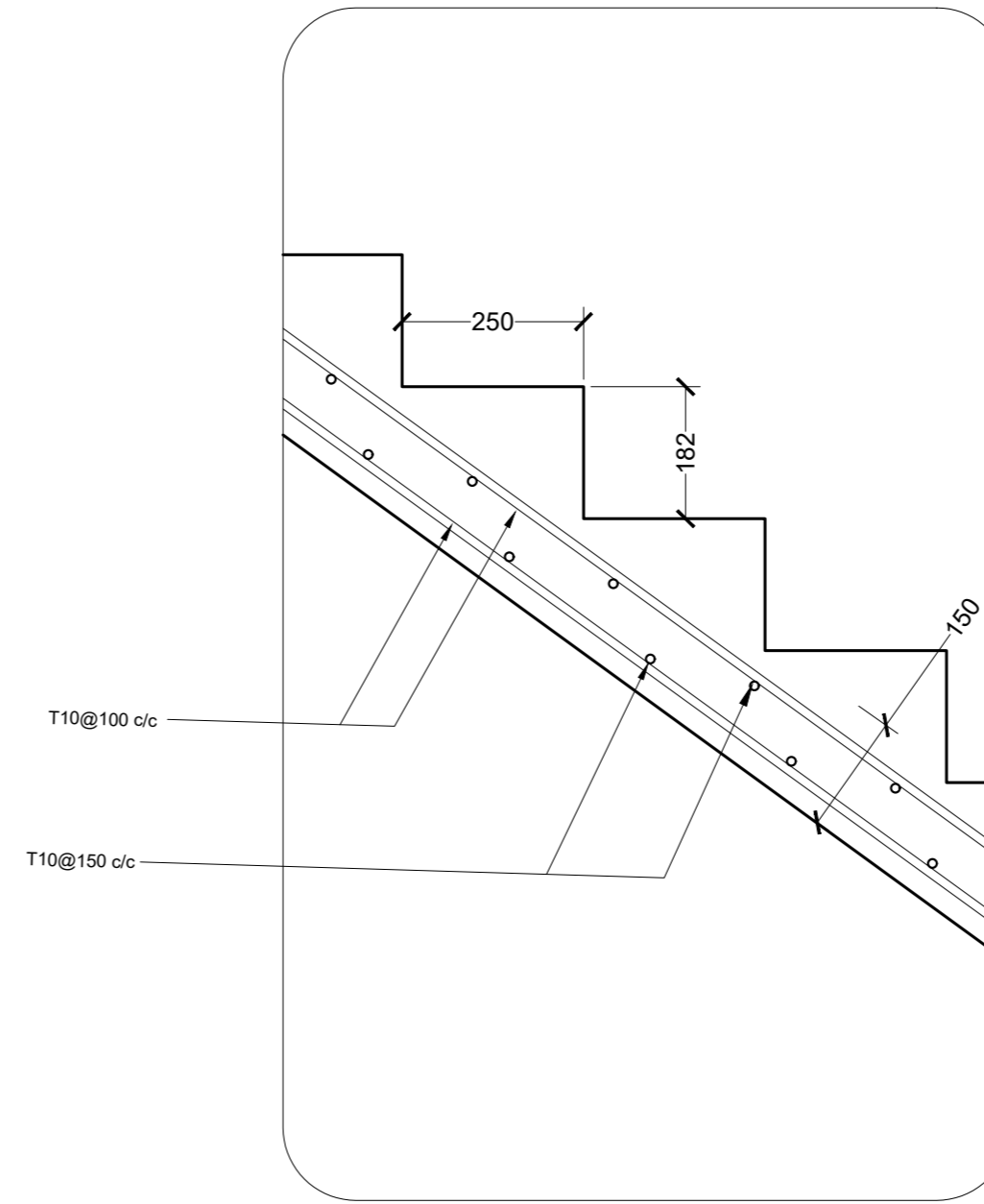




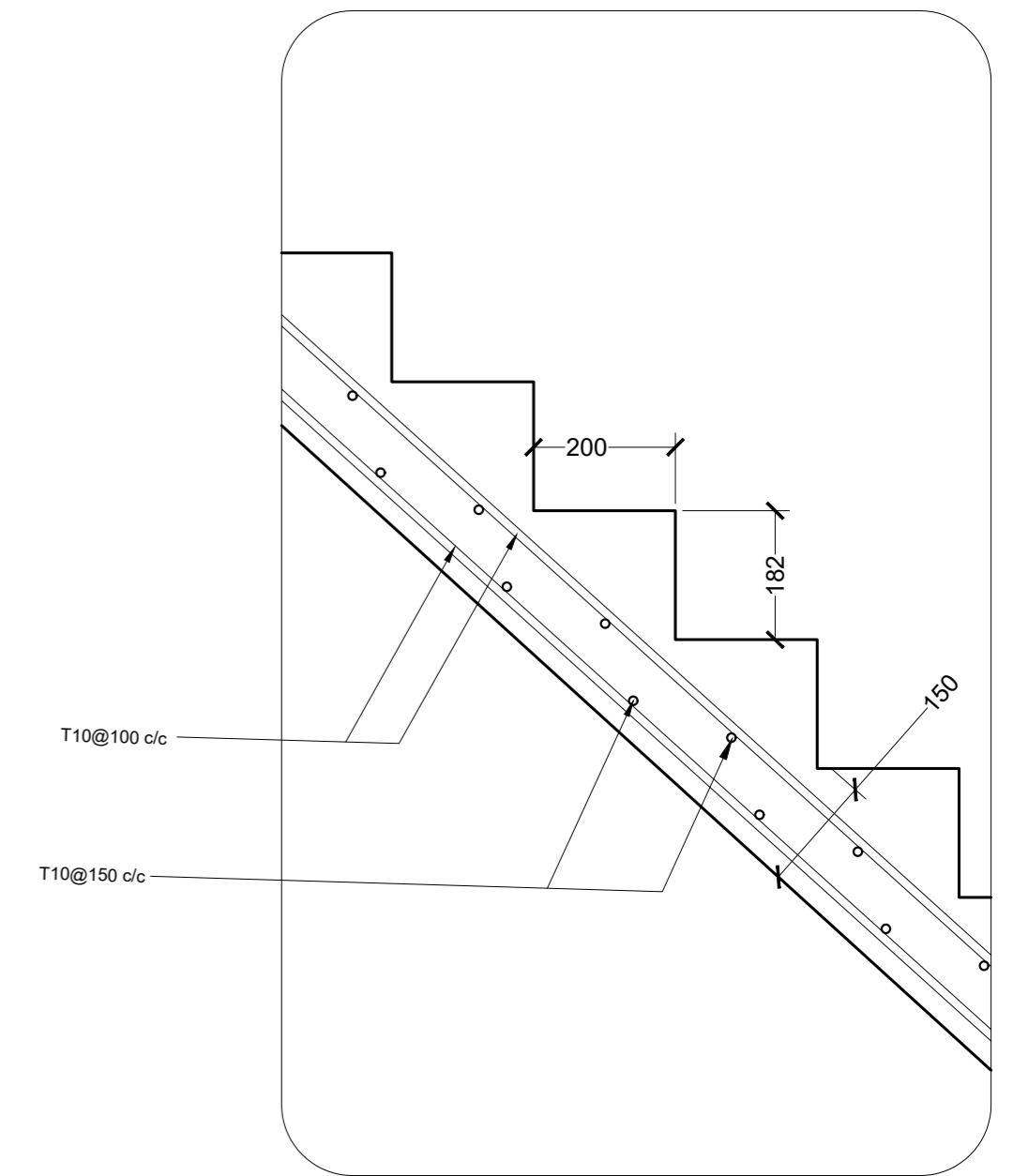
ELEVATOR SHAFT WALL



TERRACE PARAPET WALL

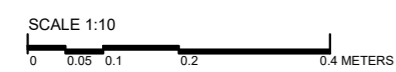



MAIN STAIRCASE DETAILS



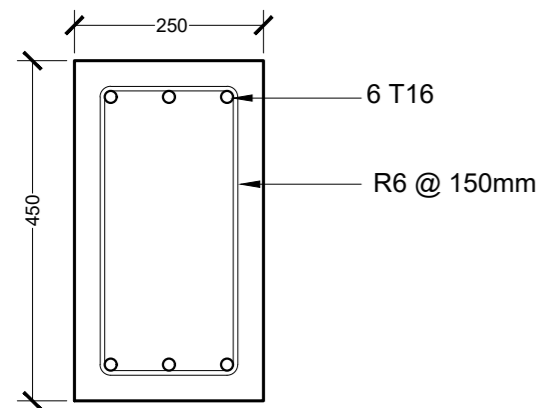
SERVICE STAIRCASE DETAILS

STAIR CASE DETAILS

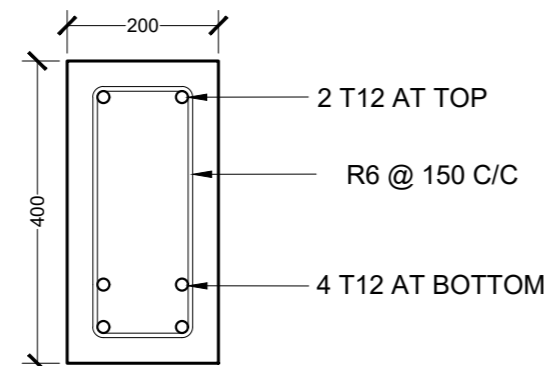


 <b>MTCC</b> MALDIVES TRANSPORT & CONTRACTING COMPANY PLC <small>SURVEY, DESIGN AND DEVELOPMENT SECTION          CONSTRUCTION AND PROJECT MANAGEMENT DEPARTMENT          MTCO TOWER, BOOJU THAKULU, FANAU, MALÉ 20181          REPUBLIC OF MALDIVES          PHONE : 9945 232 8632 FAX : 9945 233 2826          E-MAIL : design@maldivestransport.com.mv</small>	<b>PROJECT TITLE</b> R.UNGOOFAARU REGIONAL HOSPITAL EXTENSION	<b>CLIENT &amp; ADDRESS</b> MINISTRY OF HEALTH	<b>DESIGN ARCHITECT:</b> SURVEYING, DESIGN AND DEVELOPMENT SECTION <b>ENGINEER:</b> IBRAHIM THOAM	<b>STRUCTURAL CHECKER:</b> ABDULLA RAMEEZ	<table border="1"> <thead> <tr> <th>REV</th> <th>DESCRIPTION</th> <th>DATE</th> <th>APPR</th> </tr> </thead> <tbody> <tr><td> </td><td> </td><td> </td><td> </td></tr> <tr><td> </td><td> </td><td> </td><td> </td></tr> <tr><td> </td><td> </td><td> </td><td> </td></tr> <tr><td> </td><td> </td><td> </td><td> </td></tr> <tr><td> </td><td> </td><td> </td><td> </td></tr> </tbody> </table>	REV	DESCRIPTION	DATE	APPR																					<b>SHEET IDENTIFICATION NUMBER</b> <b>S5.03</b> <b>SHEET TITLE</b> 48
	REV	DESCRIPTION	DATE	APPR																										
<b>DRAWING TITLE</b> AS GIVEN	<b>PROJECT LOCATION</b> R.UNGOOFAARU	<b>ARCHITECT:</b> AMINATH ZOONA <b>ARCHITECTURAL CHECKER:</b> IRUFAN WAHEED <b>DRAWN BY:</b> AHMED IMAD	<b>ARCHITECTURAL CHECKER:</b> IRUFAN WAHEED <b>CHECKED BY:</b> AMINATH SAMAHA <b>DATE</b> 16-07-20	<b>PAPER SCALE</b> A2 AS GVN																										

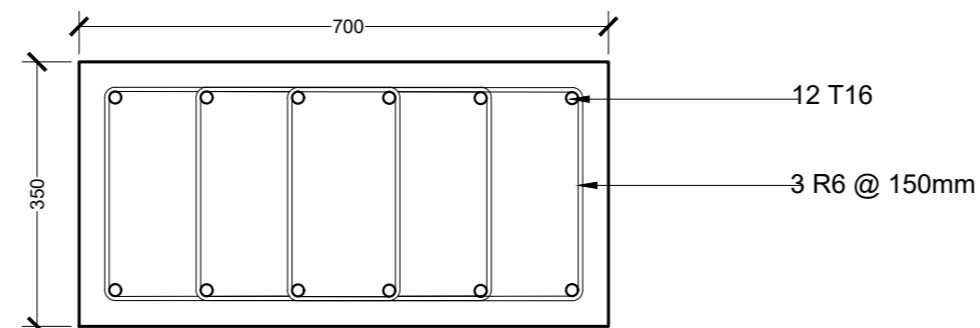
COPYRIGHT All plans, sketches, drawings, graphic representations and specifications prepared by the Architect(s) & Engineer(s) are instruments of service. The copyright and ownership of both the design and these instruments of service belong to the Architect(s) & Engineer(s) and may not be used for any other project, or sold, or offered for sale by any party other than the Architect/Engineer unless the Architect/Engineer has given written consent. Copies of the documents submitted to the client prepared by the Architect/Engineer may be used as they were intended, once, and on the same site and project.



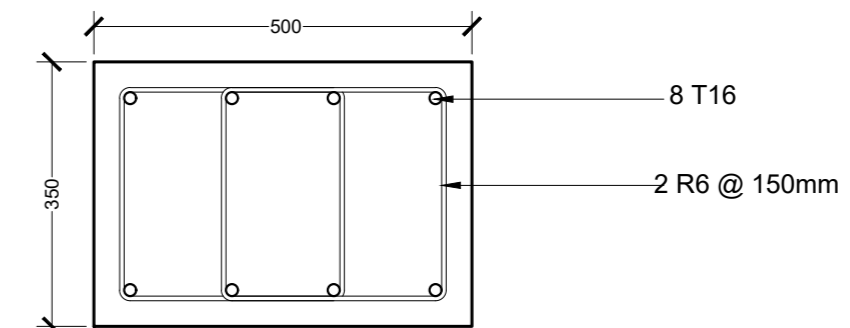
TIE BEAM - TB



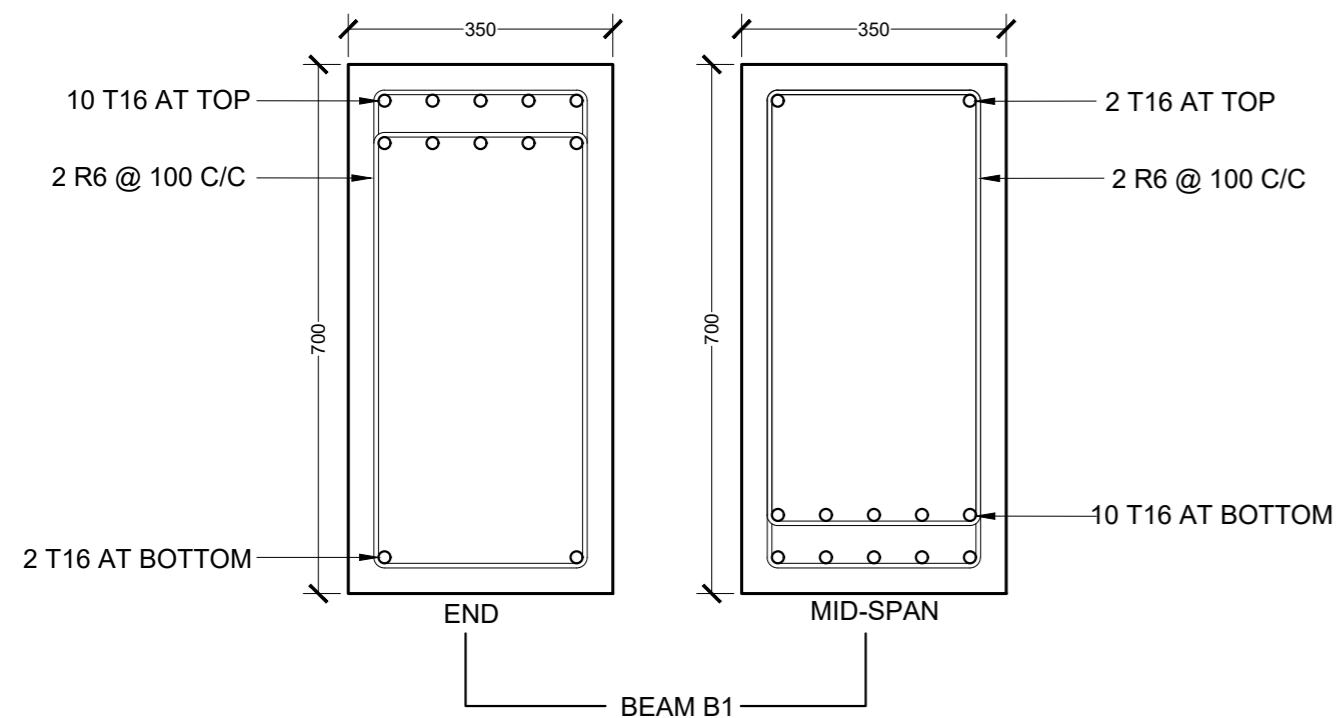
STAIR HALF LANDING BEAM



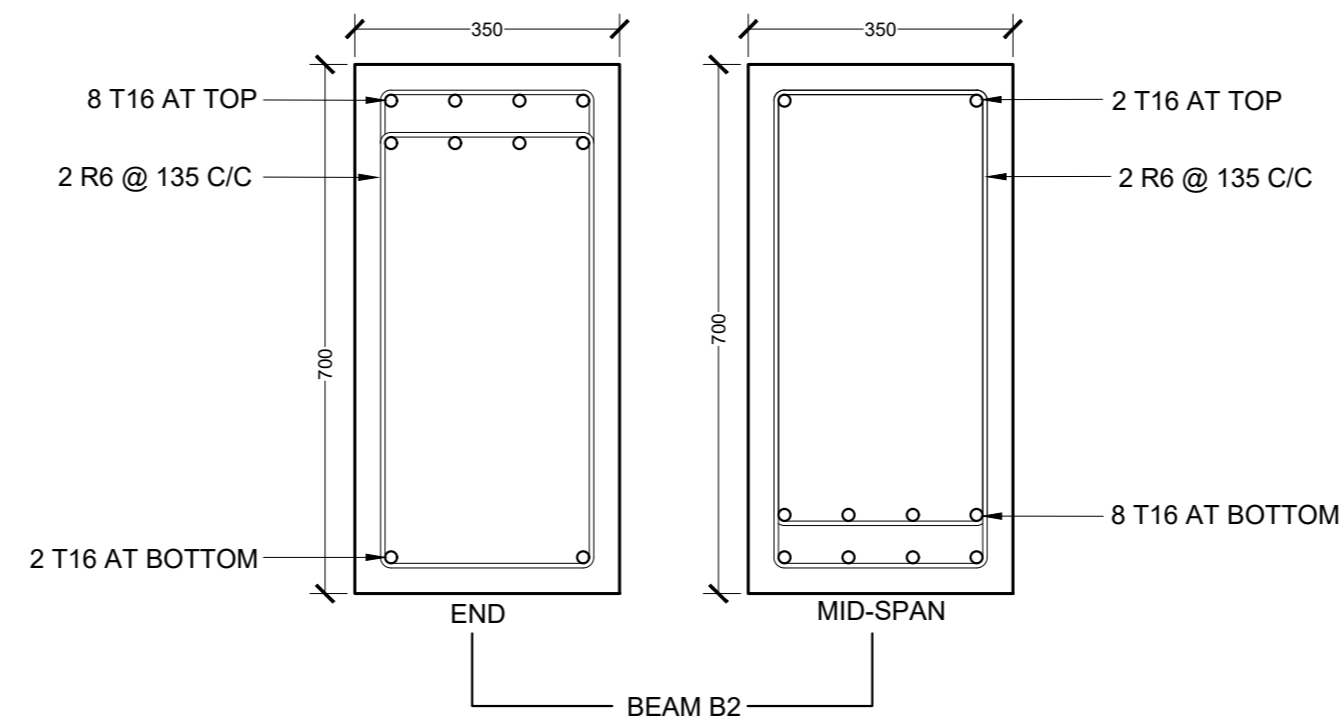
COLUMN - C1



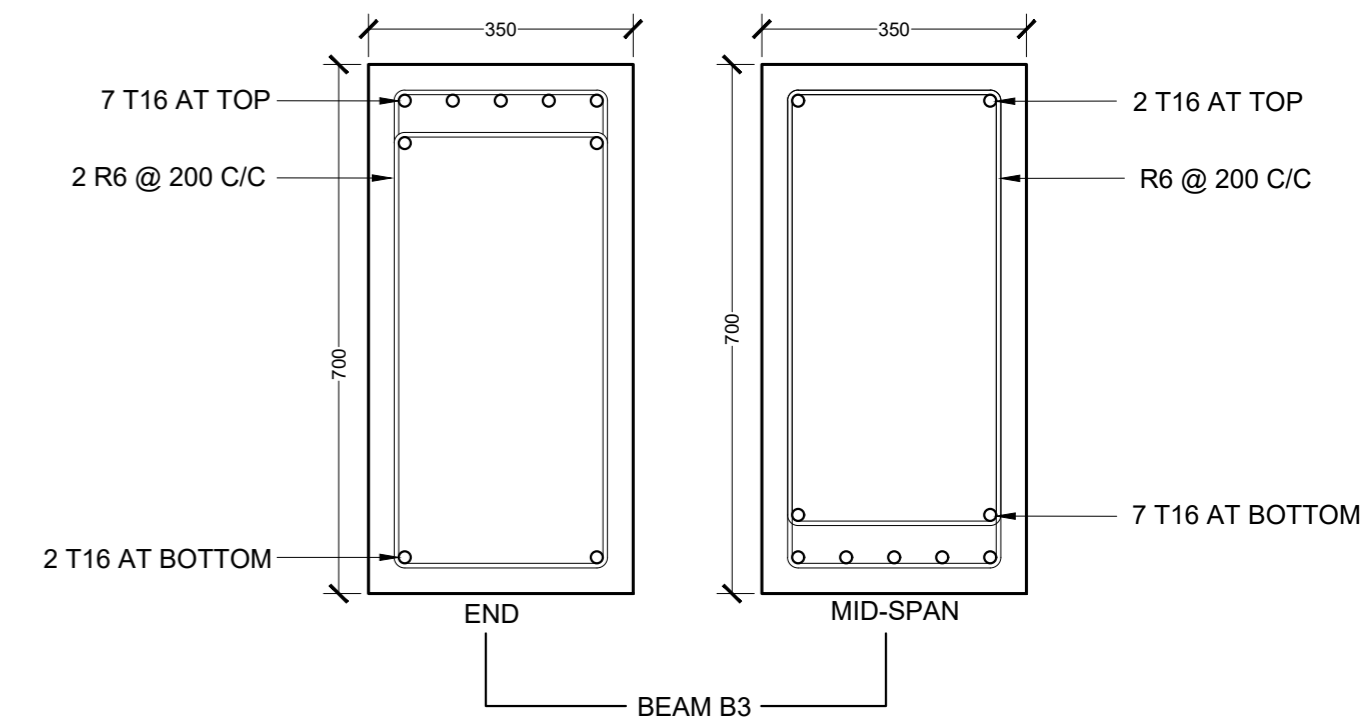
COLUMN - C2



BEAM B1

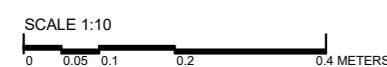


BEAM B2




BEAM B3

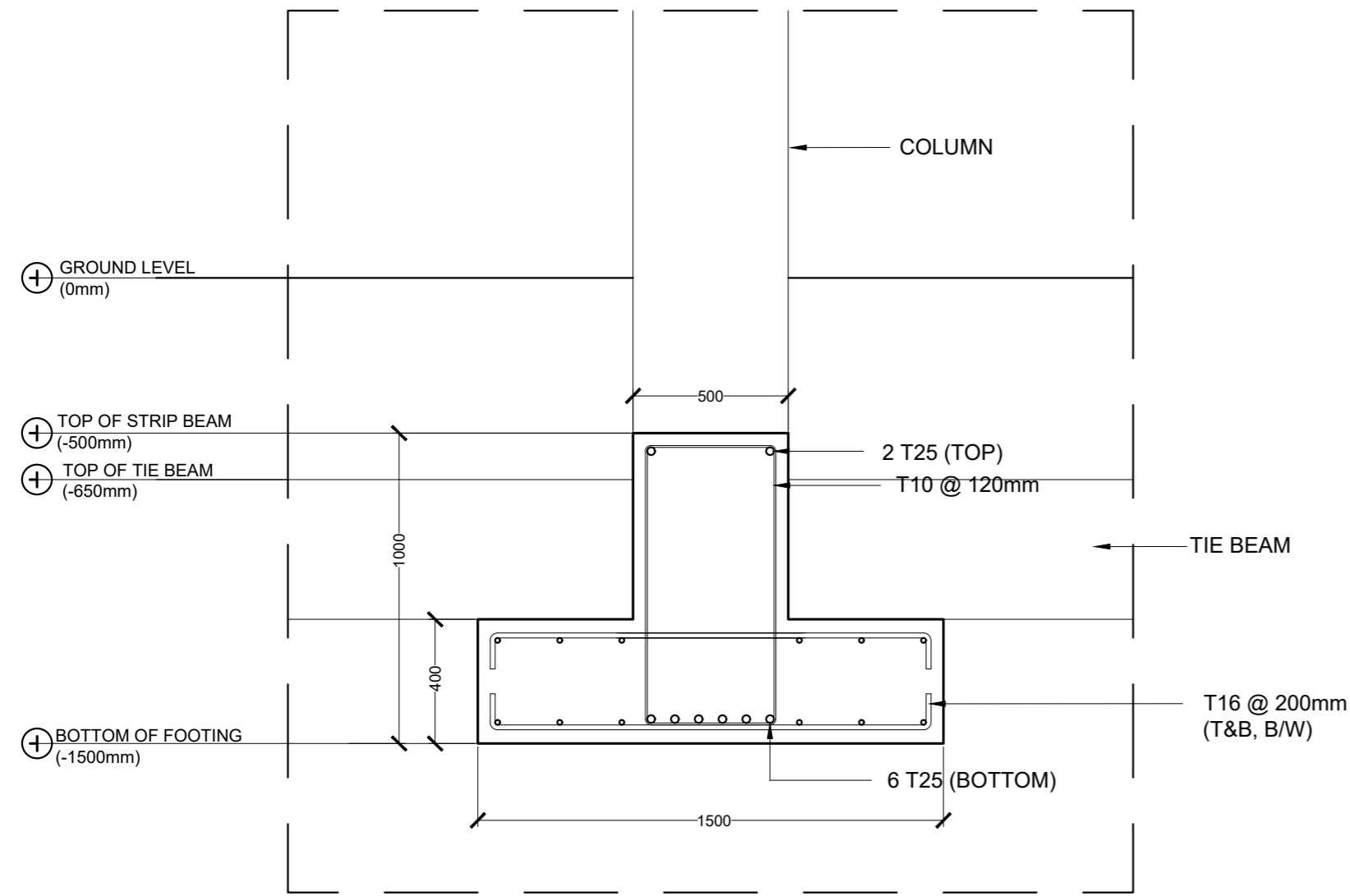
SERVICE STAIR CASE DETAILS



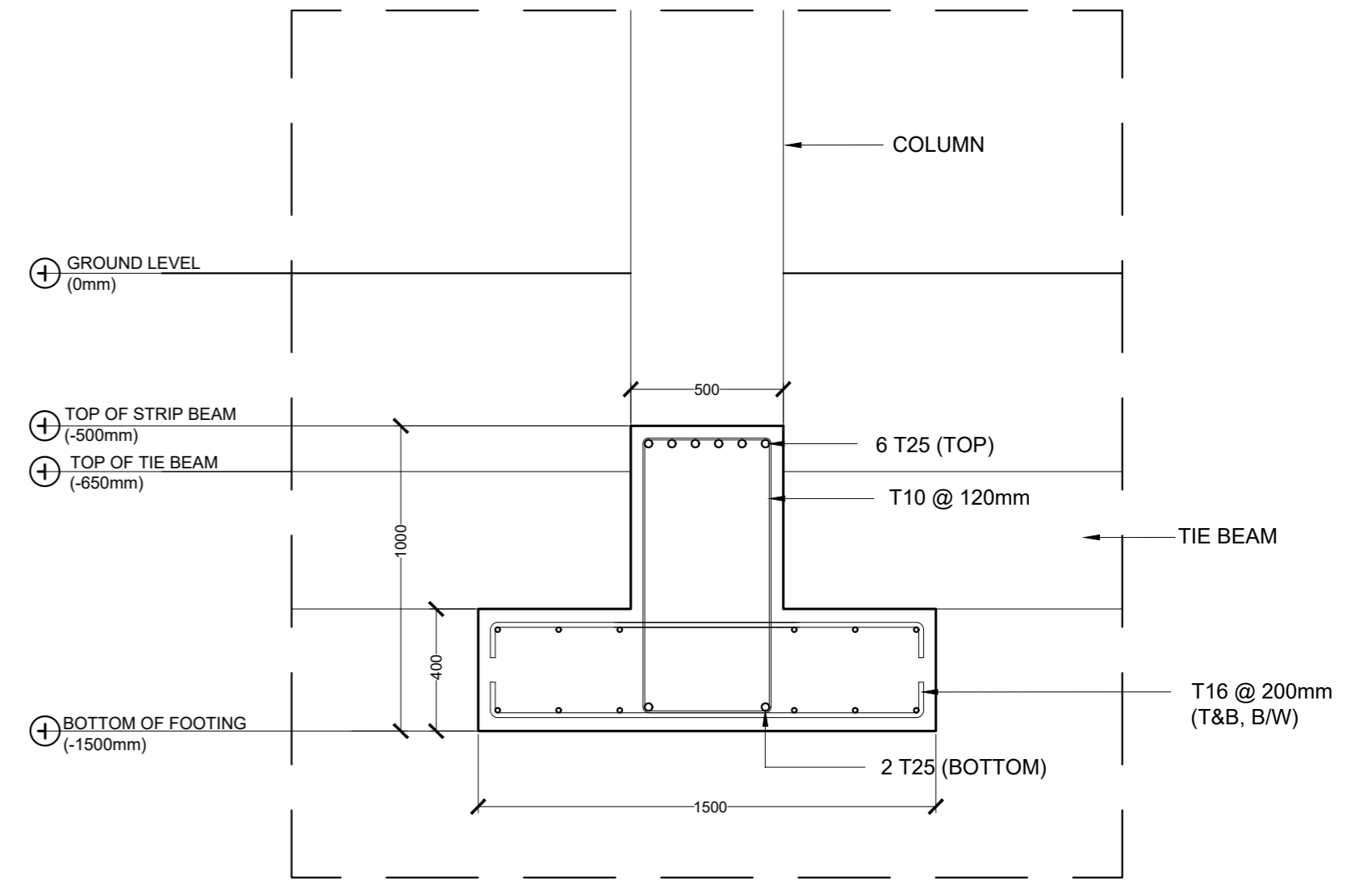
**NOTES:**  
**MINIMUM COVER TO REINFORCEMENT:**

FOUNDATION	= 50mm
SLAB	= 25mm
BEAMS	= 35mm
COLUMNS	= 40mm
ANCHOR BARS	= 55 X DIA
LAPS	= 45 X DIA
MID BARS	= 0.85 X SPAN
SUPPORT BARS	= 1/3 X SPAN

 <p><b>M T C C</b>          MALDIVES TRANSPORT &amp; CONTRACTING COMPANY PLC</p> <p><small>SURVEY DESIGN AND DEVELOPMENT SECTION          CONSTRUCTION AND PROJECTS MANAGEMENT DEPARTMENT          MAFIC TOWER, BICU TRADING COMPANY BUILDING, MALE 20141          PH: 960 330 8828 FAX: 960 333 2828          E-MAIL: design@mvtransport.com.mv</small></p>	<p>PROJECT TITLE  <b>R.UNGOOFAARU REGIONAL HOSPITAL EXTENSION</b></p>	<p>CLIENT &amp; ADDRESS  <b>MINISTRY OF HEALTH</b></p>	<p>DESIGN ARCHITECT:          SURVEYING, DESIGN AND DEVELOPMENT SECTION</p>	<p>ENGINEER:          IBRAHIM THOAM</p>	<p>STRUCTURAL CHECKER:          ABDULLA RAMEEZ</p>	<p>REV</p>	<p>DESCRIPTION</p>	<p>DATE</p>	<p>APPR</p>	<p>SHEET IDENTIFICATION NUMBER  <b>S5.04</b></p>
	<p>DRAWING TITLE          AS GIVEN</p>	<p>PROJECT LOCATION          R.UNGOOFAARU</p>	<p>ARCHITECT:          AMINATH ZOONA</p>	<p>ARCHITECTURAL CHECKER:          IRUFAN WAHEED</p>	<p>PAPER SCALE          A2 AS GVN</p>	<p>DRAWN BY:          AHMED IMAD</p>	<p>CHECKED BY:          AMINATH SAMAHA</p>	<p>DATE          16-07-20</p>	<p>SHEET TITLE          49</p>	

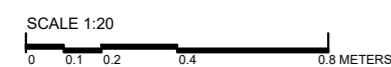


ST1 (INTERIOR SUPPORTS)



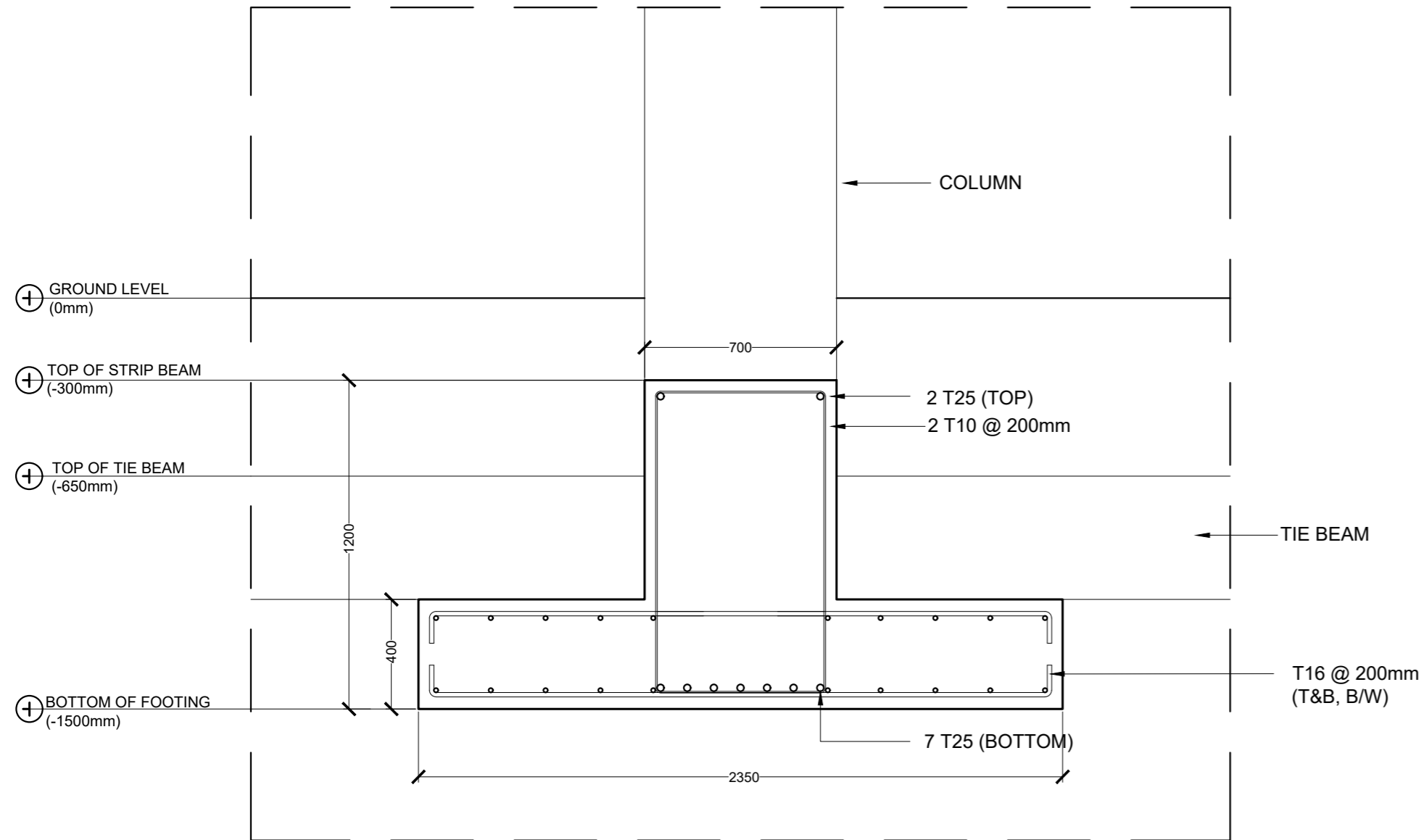
ST1 (MID SPAN & EXTERIOR SUPPORTS)

STRIP FOOTING DETAILS

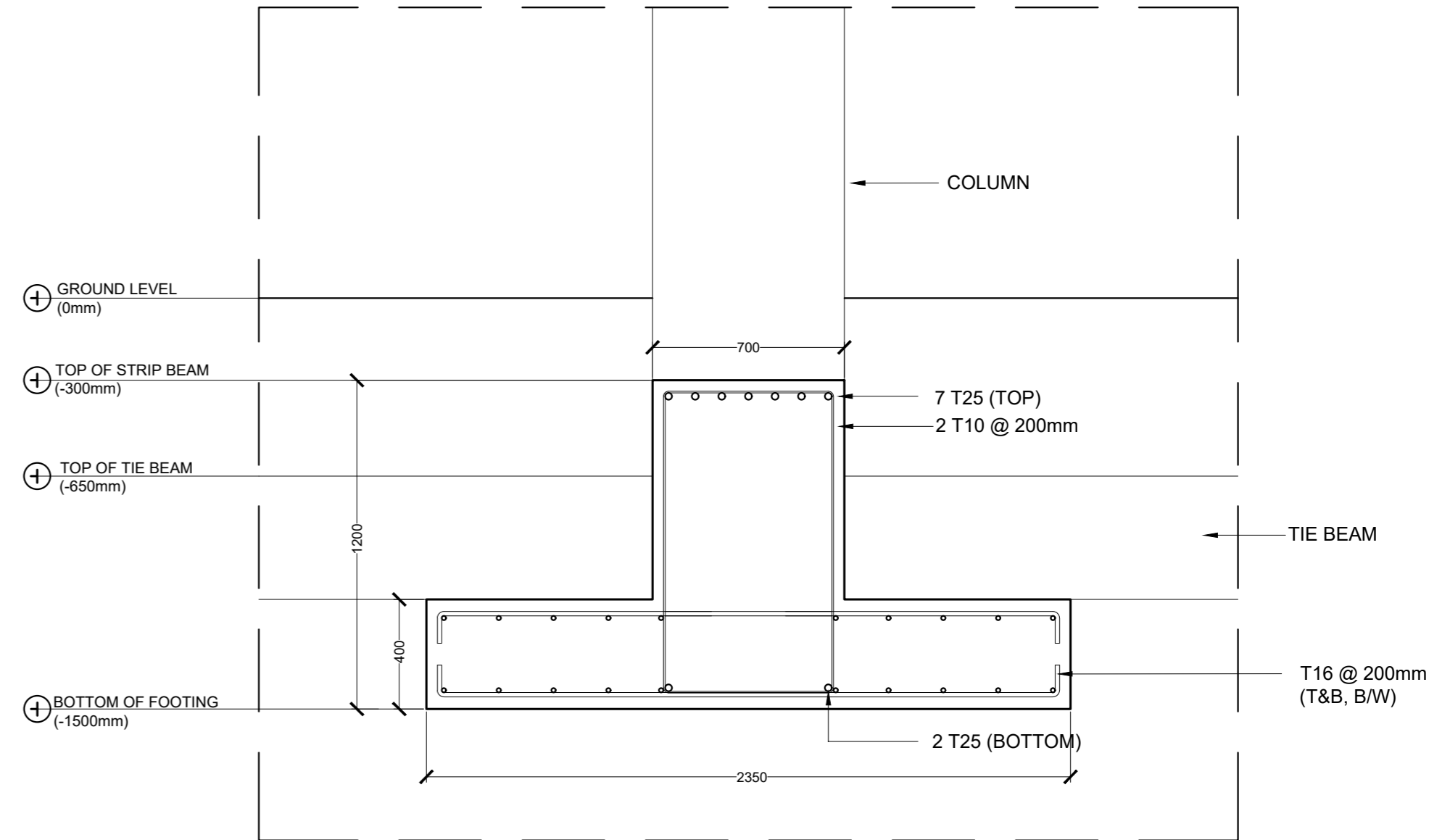


	PROJECT TITLE R.UNGOOFAARU REGIONAL HOSPITAL EXTENSION	CLIENT & ADDRESS MINISTRY OF HEALTH	DESIGN ARCHITECT: SURVEYING, DESIGN AND DEVELOPMENT SECTION		<table border="1"> <thead> <tr> <th>REV</th> <th>DESCRIPTION</th> <th>DATE</th> <th>APPR</th> </tr> </thead> <tbody> <tr><td> </td><td> </td><td> </td><td> </td></tr> <tr><td> </td><td> </td><td> </td><td> </td></tr> <tr><td> </td><td> </td><td> </td><td> </td></tr> <tr><td> </td><td> </td><td> </td><td> </td></tr> <tr><td> </td><td> </td><td> </td><td> </td></tr> <tr><td> </td><td> </td><td> </td><td> </td></tr> <tr><td> </td><td> </td><td> </td><td> </td></tr> <tr><td> </td><td> </td><td> </td><td> </td></tr> <tr><td> </td><td> </td><td> </td><td> </td></tr> </tbody> </table>	REV	DESCRIPTION	DATE	APPR																																				
	REV	DESCRIPTION	DATE	APPR																																									
DRAWING TITLE AS GIVEN	PROJECT LOCATION R.UNGOOFAARU	ENGINEER: IBRAHIM THOAM	STRUCTURAL CHECKER: ABDULLA RAMEEZ	PAPER SCALE A2 AS GVN																																									
ARCHITECT: AMINATH ZOONA		ARCHITECTURAL CHECKER: IRUFAN WAHEED		DATE 16-07-20																																									
DRAWN BY: AHMED IMAD		CHECKED BY: AMINATH SAMAHA																																											

SHEET IDENTIFICATION NUMBER  
**S5.05**  
SHEET TITLE  
50

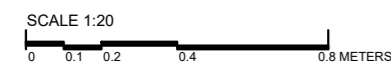



ST2 (INTERIOR SUPPORTS)



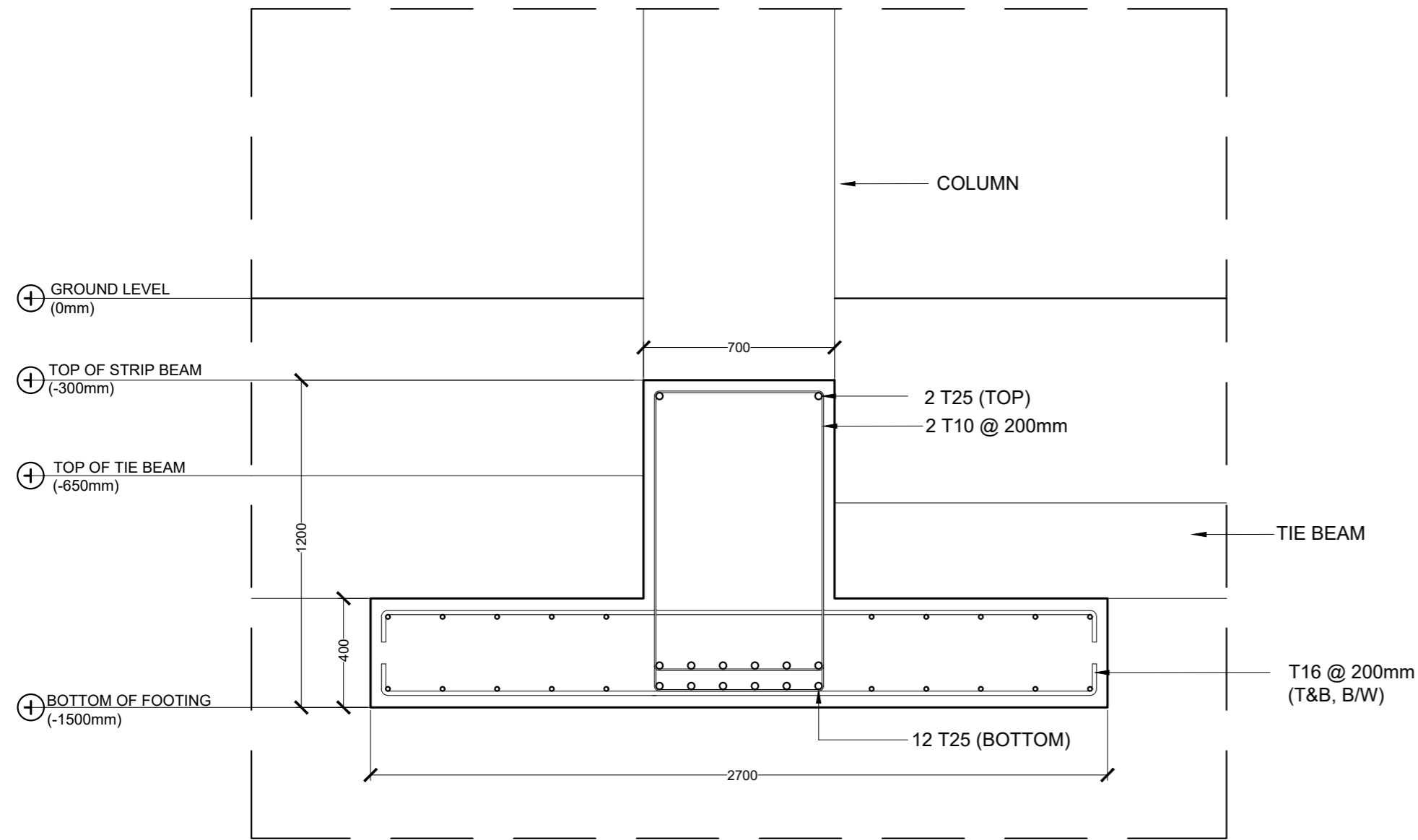
ST2 (MID SPAN & EXTERIOR SUPPORTS)

STRIP FOOTING DETAILS

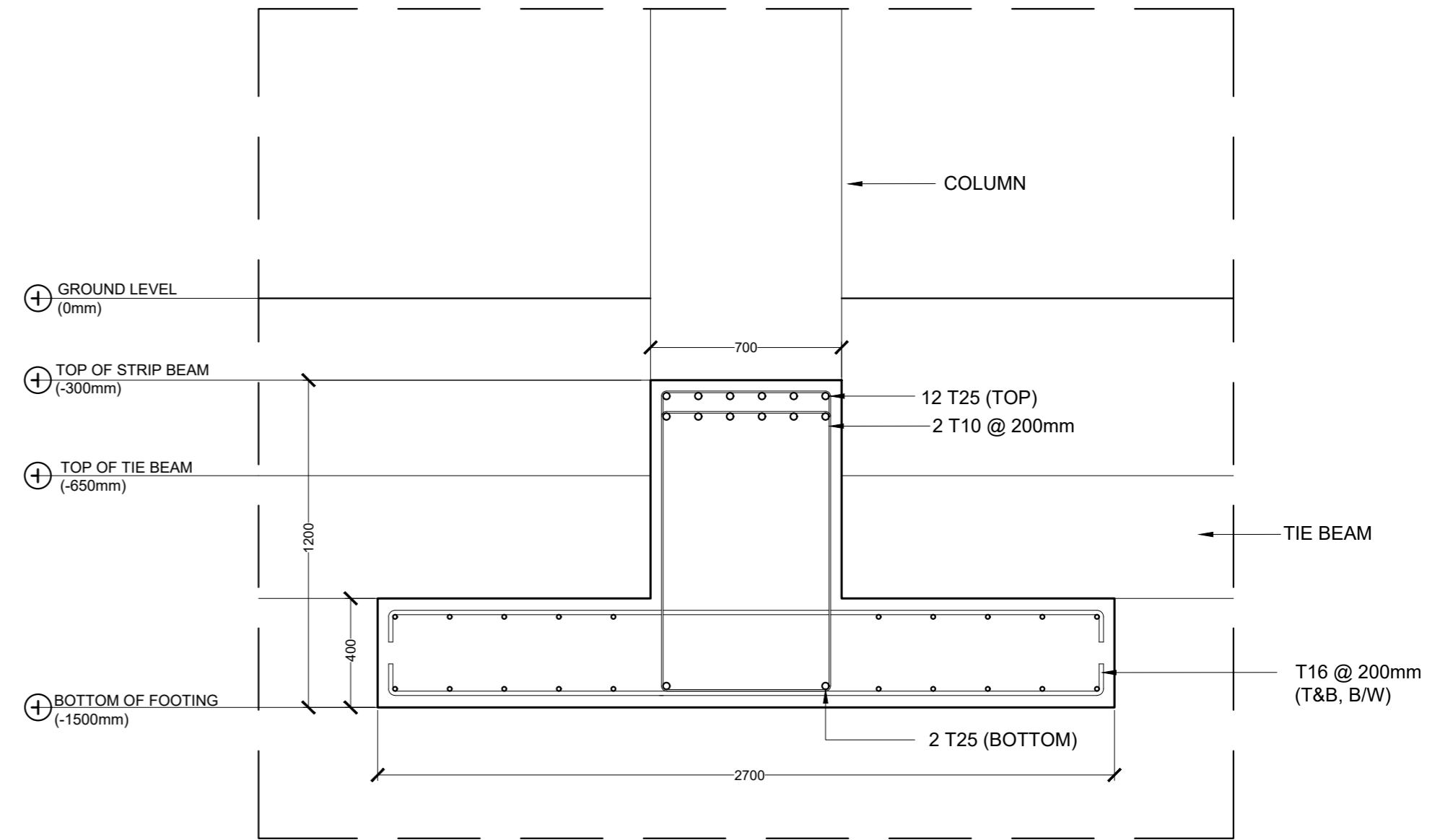


 <b>M T C C</b> MALDIVES TRANSPORT & CONTRACTING COMPANY P.L.C. <small>SURVEY DESIGN AND DEVELOPMENT SECTION          CONSTRUCTION AND PROJECTS MANAGEMENT DEPARTMENT          METCO TOWER, BOGUFANARA, MALE 20181,          REPUBLIC OF MALDIVES.          PHONE: +960 333 8822 FAX: +960 333 2838          E-MAIL: info@mtcc.com.mv</small>	PROJECT TITLE R.UNGOOFAARU REGIONAL HOSPITAL EXTENSION	CLIENT & ADDRESS MINISTRY OF HEALTH	DESIGN ARCHITECT: SURVEYING, DESIGN AND DEVELOPMENT SECTION	ENGINEER: BRAHIM THOAM	STRUCTURAL CHECKER: ABDULLA RAMEEZ	REV	DESCRIPTION	DATE	APPR	SHEET IDENTIFICATION NUMBER <b>S5.06</b>
	DRAWING TITLE AS GIVEN	PROJECT LOCATION R.UNGOOFAARU	ARCHITECT: AMINATH ZOONA	ARCHITECTURAL CHECKER: IRUFAN WAHEED	DRAWN BY: AHMED IMAD					

COPYRIGHT All plans, sketches, drawings, graphic representations and specifications prepared by the Architect(s) & Engineer(s) are instruments of service. The copyright and ownership of both the design and these instruments of service belong to the Architect(s) & Engineer(s) and may not be used for any other project, or sold, or offered for sale by any party other than the Architect/Engineer unless the Architect/Engineer has given written consent. Copies of the documents submitted to the client prepared by the Architect/Engineer may be used as they were intended, once, and on the same site and project.

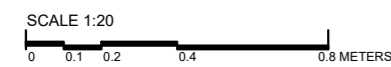



ST3 (INTERIOR SUPPORTS)



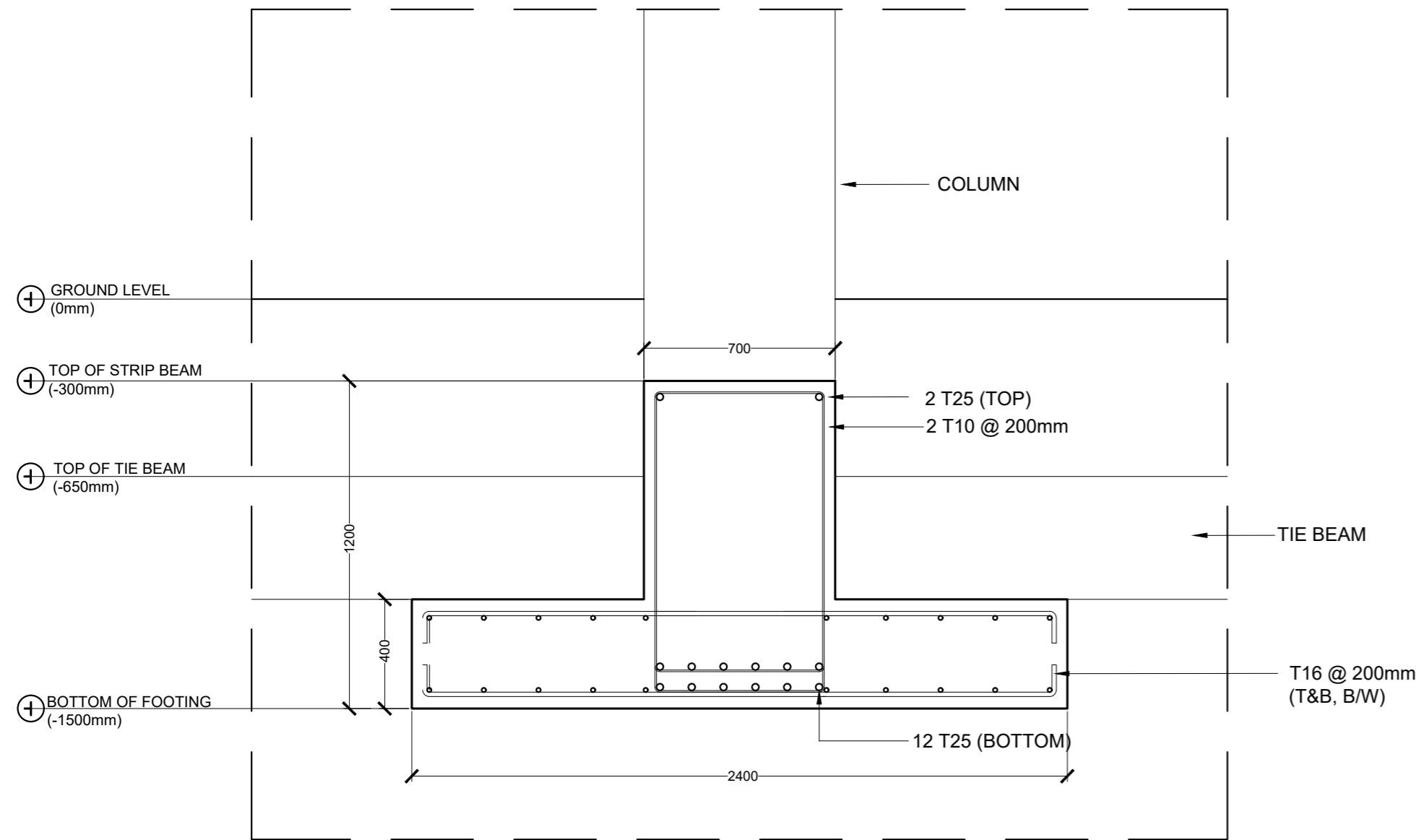
ST3 (MID SPAN & EXTERIOR SUPPORTS)

STRIP FOOTING DETAILS

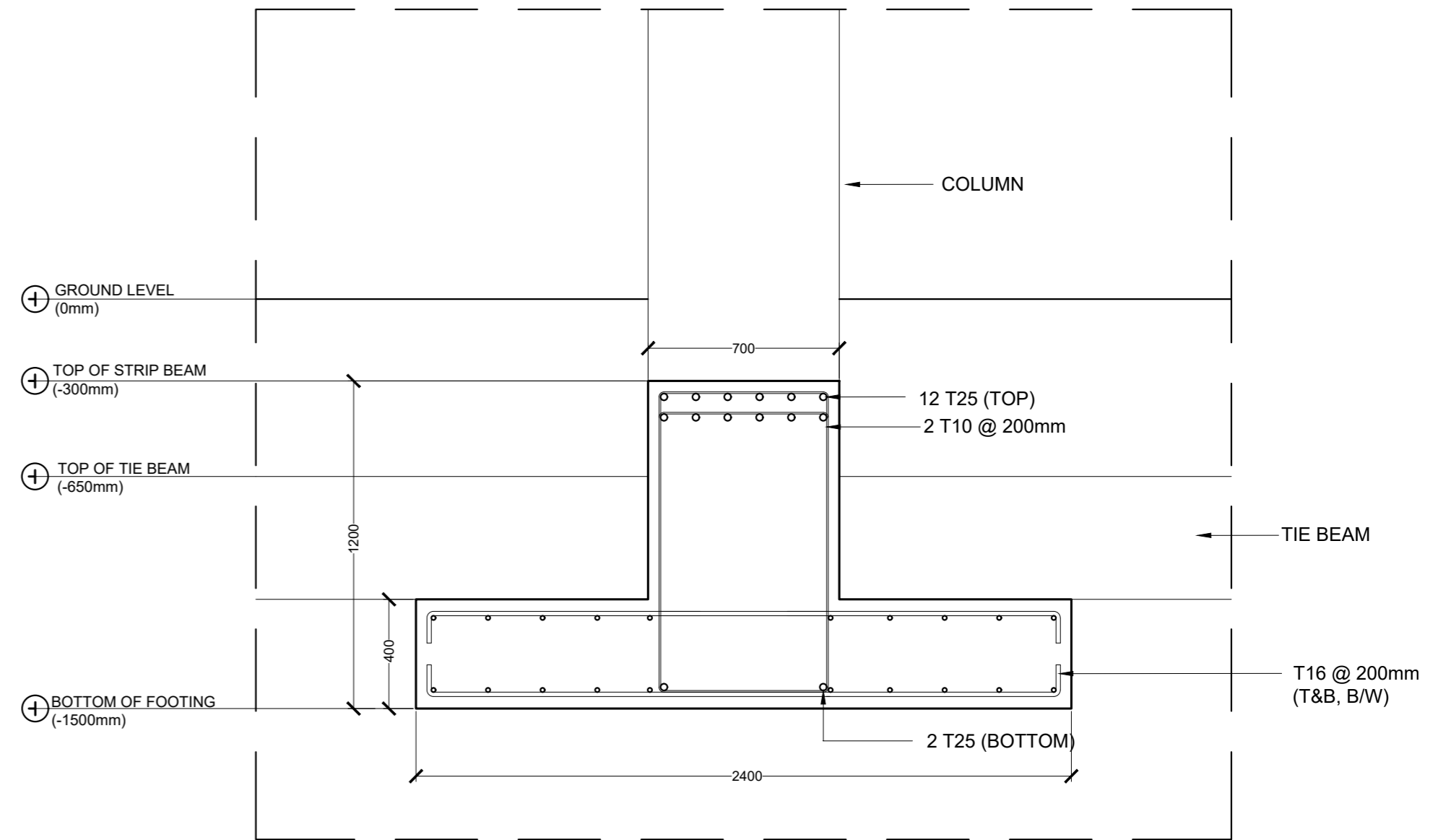


 <b>MTCC</b> MALDIVES TRANSPORT & CONTRACTING COMPANY PLC <small>PLANNING, DESIGN AND DEVELOPMENT SECTION          CONSTRUCTION AND PROJECTS MANAGEMENT DEPARTMENT          MTCC TOWER, BODU THORUPPANA WADU, MALE 20161,          REPUBLIC OF MALDIVES.          PHONE: +960 333 8022 FAX: +960 333 2835          E-MAIL: design@maldivians.com.nv</small>	PROJECT TITLE R. UNGOOFAARU REGIONAL HOSPITAL EXTENSION	CLIENT & ADDRESS MINISTRY OF HEALTH	DESIGN ARCHITECT: SURVEYING, DESIGN AND DEVELOPMENT SECTION	ENGINEER: IBRAHIM THOAM	STRUCTURAL CHECKER: ABDULLA RAMEEZ	REVISIONS	DATE	APPR	SHEET IDENTIFICATION NUMBER <b>S5.07</b> SHEET TITLE 52
	DRAWING TITLE AS GIVEN	PROJECT LOCATION R. UNGOOFAARU	ARCHITECT: AMINATH ZOONA	ARCHITECTURAL CHECKER: IRUFAN WAHEED	PAPER A2	SCALE AS GVN	DRAWN BY: AHMED IMAD	CHECKED BY: AMINATH SAMAHA	

COPYRIGHT All plans, sketches, drawings, graphic representations and specifications prepared by the Architect(s) & Engineer(s) are instruments of service. The copyright and ownership of both the design and these instruments of service belong to the Architect(s) & Engineer(s) and may not be used for any other project, or sold, or offered for sale by any party other than the Architect/Engineer unless the Architect/Engineer has given written consent. Copies of the documents submitted to the client prepared by the Architect/Engineer may be used as they were intended, once, and on the same site and project.

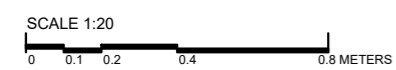



ST4 (INTERIOR SUPPORTS)



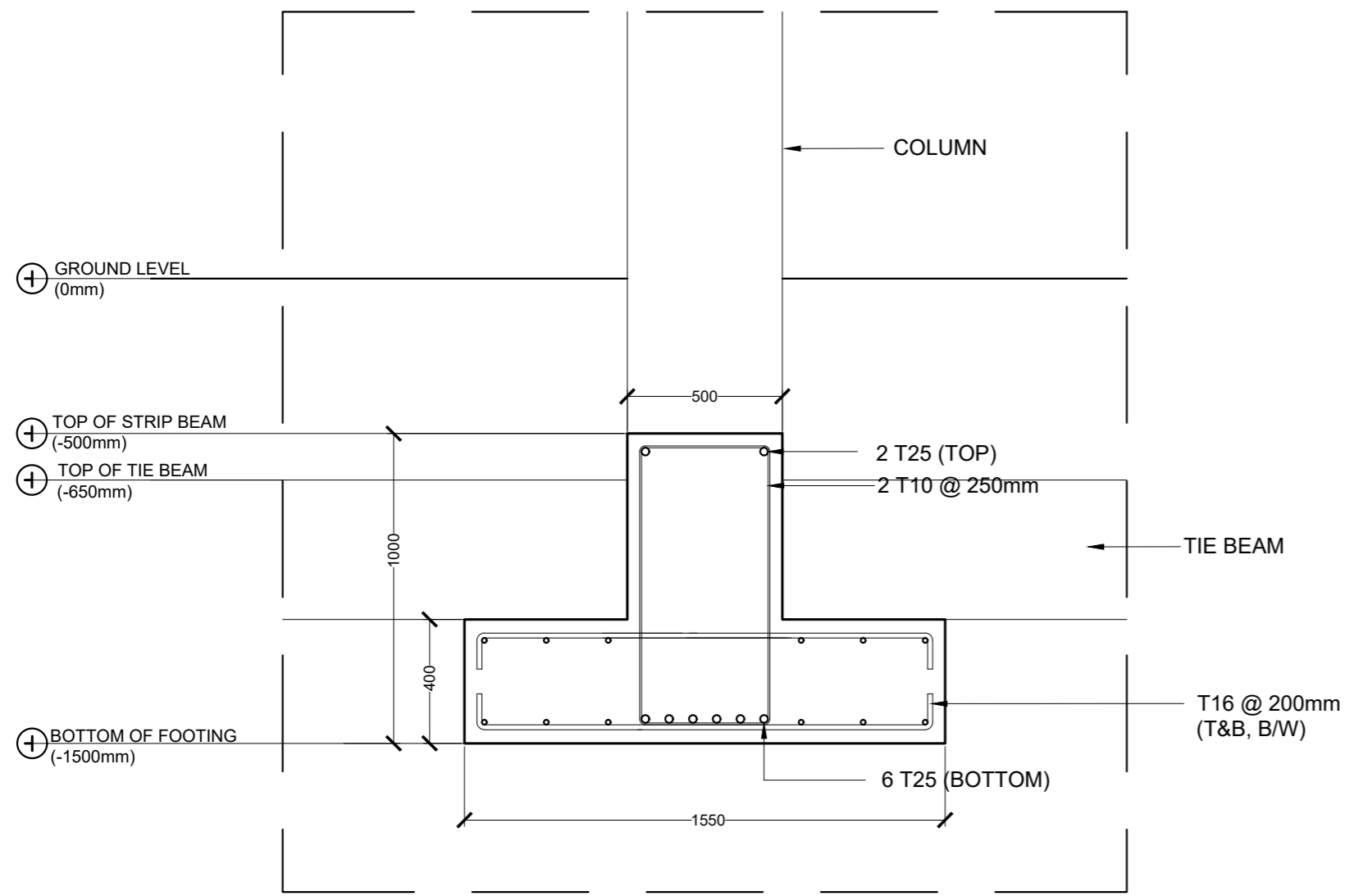
ST4 (MID SPAN & EXTERIOR SUPPORTS)

STRIP FOOTING DETAILS

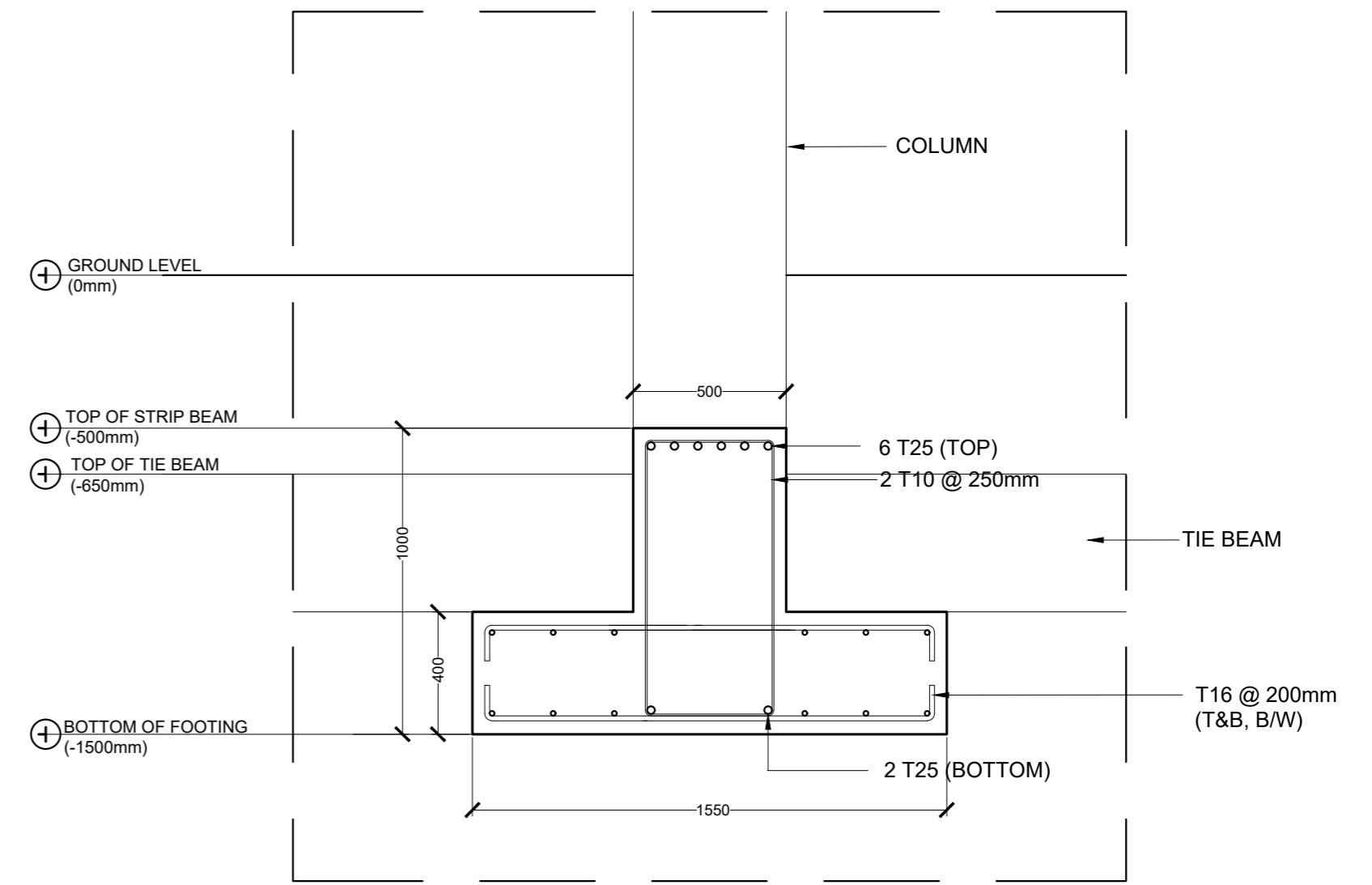


 <b>M T C C</b> MALDIVES TRANSPORT & CONTRACTING COMPANY PLC <small>SURVEY DESIGN AND DEVELOPMENT SECTION          CONSTRUCTION AND PROJECTS MANAGEMENT DEPARTMENT          MPTCC TOWER, BODU THAALU, FANJALU, MALE 20181          REPUBLIC OF MALDIVES          PHONE : 9943 332 8452 FAX : 9943 333 2835          E-MAIL: design.development@mtcc.com.mv</small>	PROJECT TITLE <b>R.UNGOOFAARU REGIONAL HOSPITAL EXTENSION</b>	CLIENT & ADDRESS <b>MINISTRY OF HEALTH</b>	DESIGN ARCHITECT: SURVEYING, DESIGN AND DEVELOPMENT SECTION		REV DESCRIPTION DATE APPR	SHEET IDENTIFICATION NUMBER <b>S5.08</b> SHEET TITLE 53
	DRAWING TITLE <b>AS GIVEN</b>	PROJECT LOCATION <b>R.UNGOOFAARU</b>	ENGINEER: IBRAHIM THOAM	STRUCTURAL CHECKER: ABDULLA RAMEEZ		
			DRAWN BY: AHMED IMAD	CHECKED BY: AMINATH SAMAHA	DATE 16-07-20	

COPYRIGHT All plans, sketches, drawings, graphic representations and specifications prepared by the Architect(s) & Engineer(s) are instruments of service. The copyright and ownership of both the design and these instruments of service belong to the Architect(s) & Engineer(s) and may not be used for any other project, in whole or in part, or offered for sale by any party other than the Architect/Engineer unless the Architect/Engineer has given written consent. Copies of the documents submitted to the client prepared by the Architect/Engineer may be used as they were intended, once, and on the same site and project.

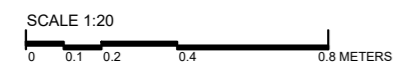



ST5 (INTERIOR SUPPORTS)



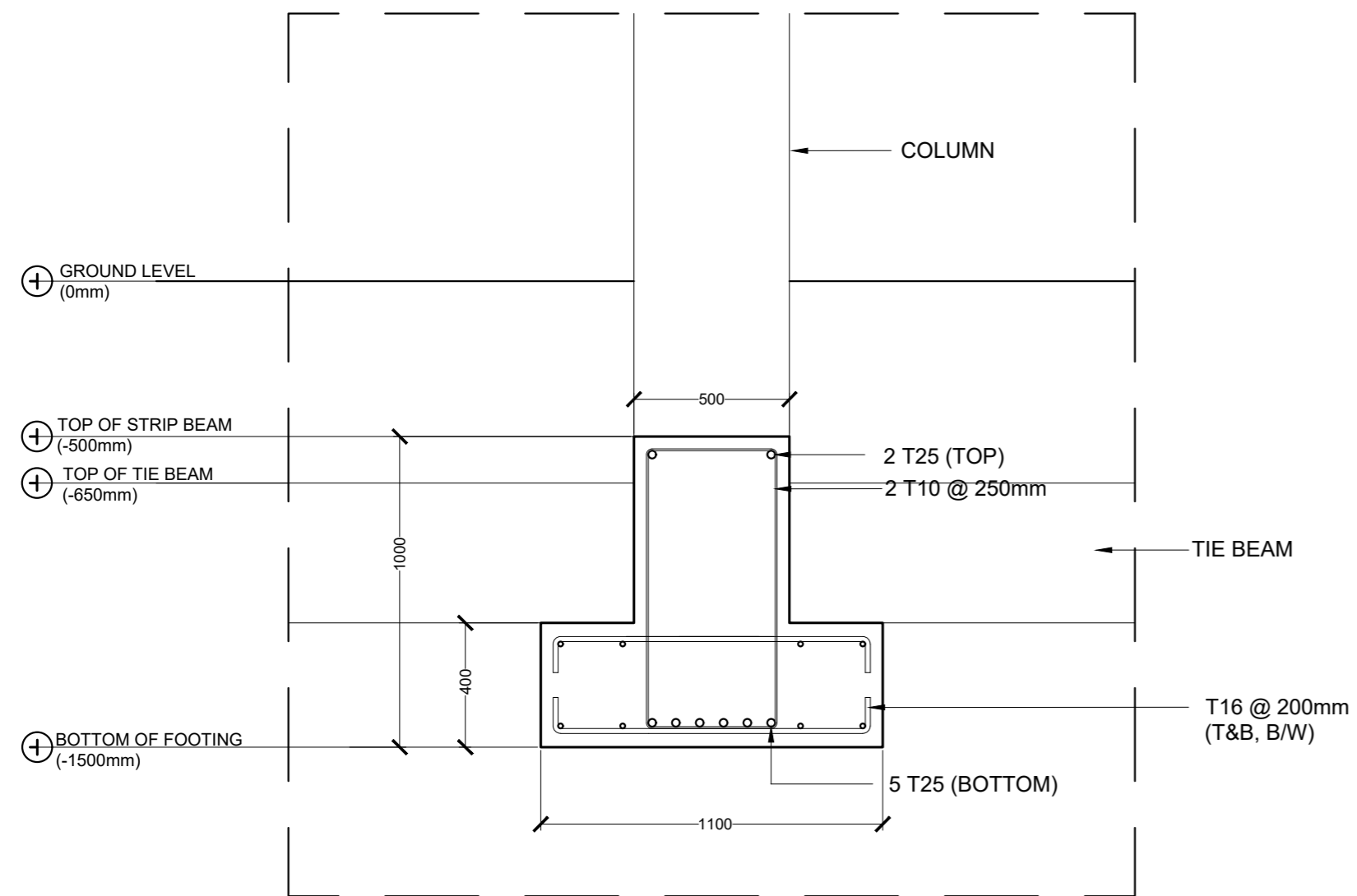
ST5 (MID SPAN & EXTERIOR SUPPORTS)

STRIP FOOTING DETAILS

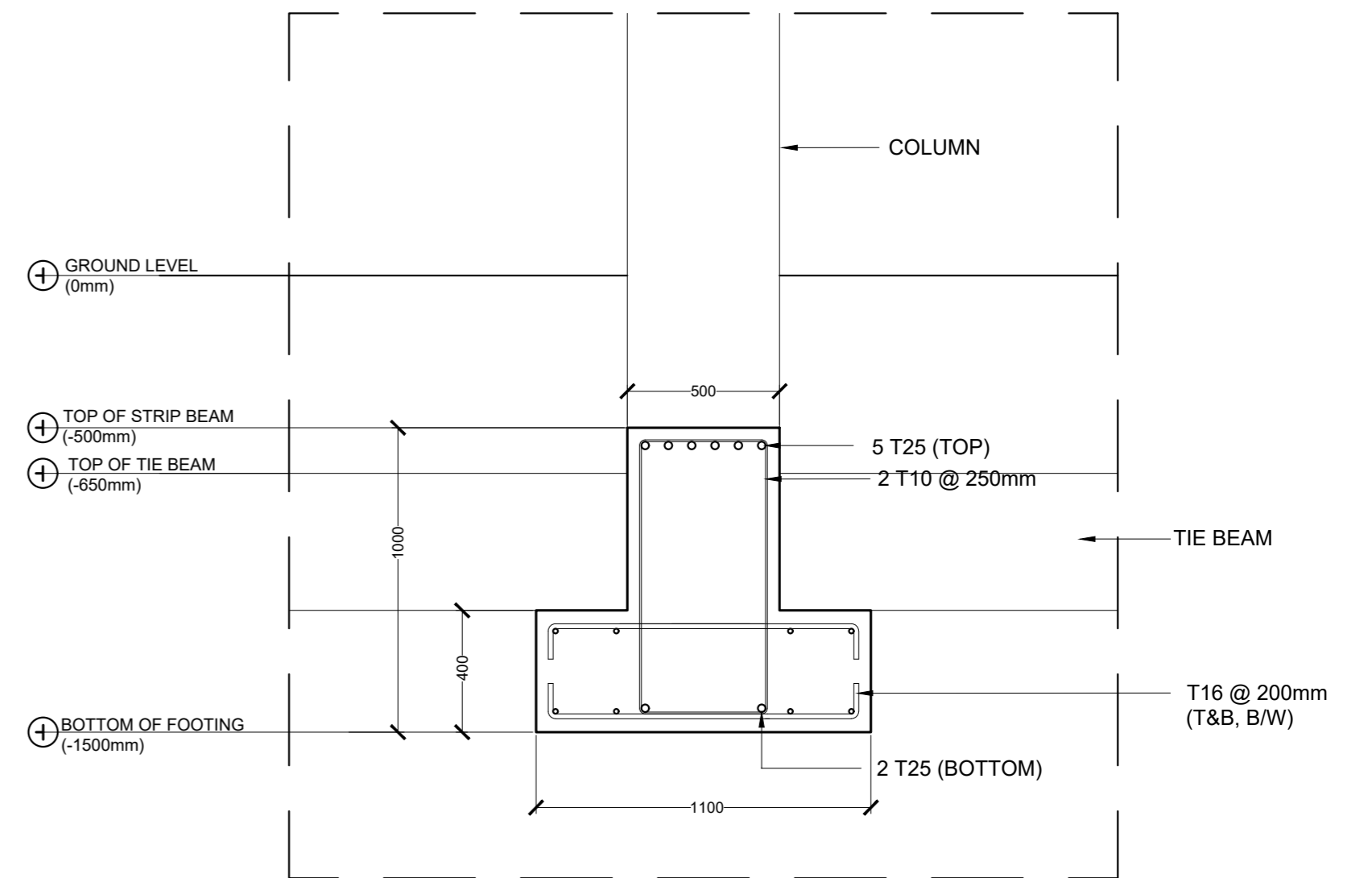


 <p><b>M T C C</b> MALDIVES TRANSPORT &amp; CONTRACTING COMPANY PLC</p> <p><small>SURVEY DESIGN AND DEVELOPMENT SECTION CONSTRUCTION AND PROJECTS MANAGEMENT DEPARTMENT MTCO TOWER, BODU THAKURUFANAU, MAJULU MALÉ 20181 REPUBLIC OF MALDIVES PHONE: + 960 332 6822 FAX: + 960 333 2828 E-MAIL: info@mtcc.com.mv</small></p>	<p>PROJECT TITLE R.UNGOOFAARU REGIONAL HOSPITAL EXTENSION</p>	<p>CLIENT &amp; ADDRESS MINISTRY OF HEALTH</p>	<p>DESIGN ARCHITECT: SURVEYING, DESIGN AND DEVELOPMENT SECTION</p>	<p>ENGINEER: IBRAHIM THOAM</p>	<p>STRUCTURAL CHECKER: ABDULLA RAMEEZ</p>	<p>ARCHITECT: AMINATH ZOONA</p>	<p>ARCHITECTURAL CHECKER: IRUFAN WAHEED</p>	<p>PAPER SCALE A2 AS GVN</p>	<p>DATE</p>	<p>REV</p>	<p>DESCRIPTION</p>	<p>DATE</p>	<p>APPR</p>	<p>SHEET IDENTIFICATION NUMBER <b>S5.09</b></p>
	<p>DRAWING TITLE AS GIVEN</p>	<p>PROJECT LOCATION R.UNGOOFAARU</p>	<p>ARCHITECT: AMINATH ZOONA</p>	<p>ARCHITECTURAL CHECKER: IRUFAN WAHEED</p>	<p>CHECKED BY: AHMED IMAD</p>	<p>DATE 16-07-20</p>	<p>DATE</p>	<p>APPR</p>	<p>SHEET TITLE 54</p>					

COPYRIGHT All plans, sketches, drawings, graphic representations and specifications prepared by the Architect(s) & Engineer(s) are instruments of service. The copyright and ownership of both the design and these instruments of service belong to the Architect(s) & Engineer(s) and may not be used for any other project or site, or offered for sale by any party other than the Architect/Engineer unless the Architect/Engineer has given written consent. Copies of the documents submitted to the client prepared by the Architect/Engineer may be used as they were intended, once, and on the same site and project.

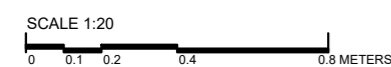



ST6 (INTERIOR SUPPORTS)



ST6 (MID SPAN & EXTERIOR SUPPORTS)

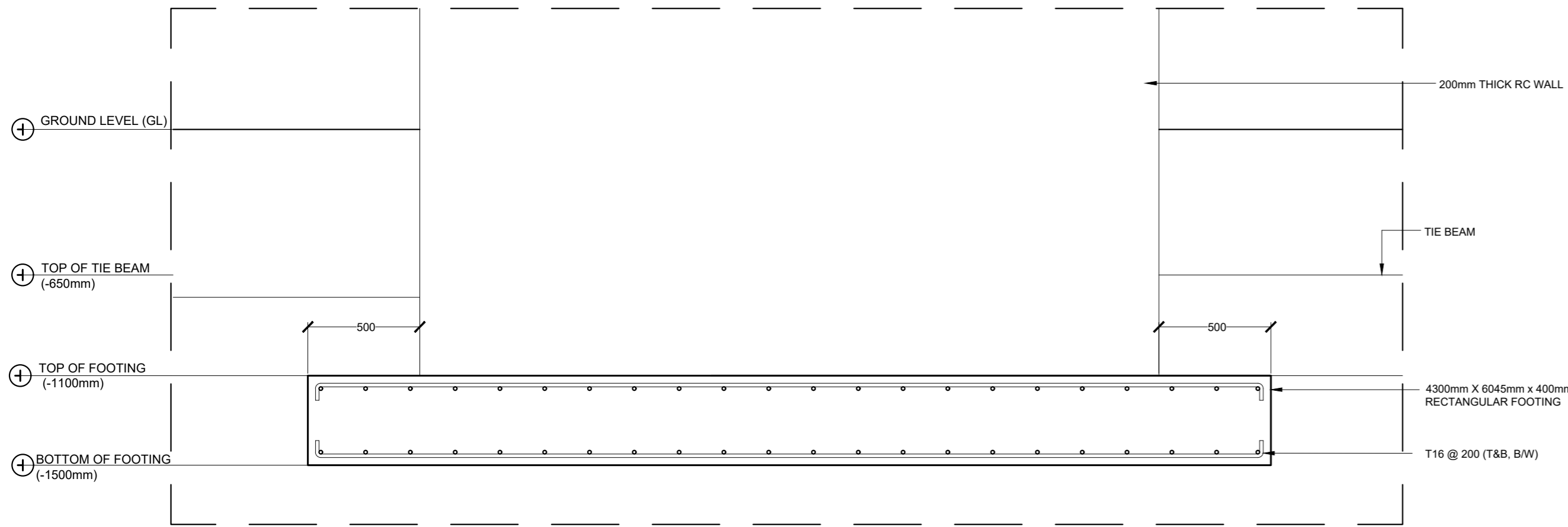
STRIP FOOTING DETAILS



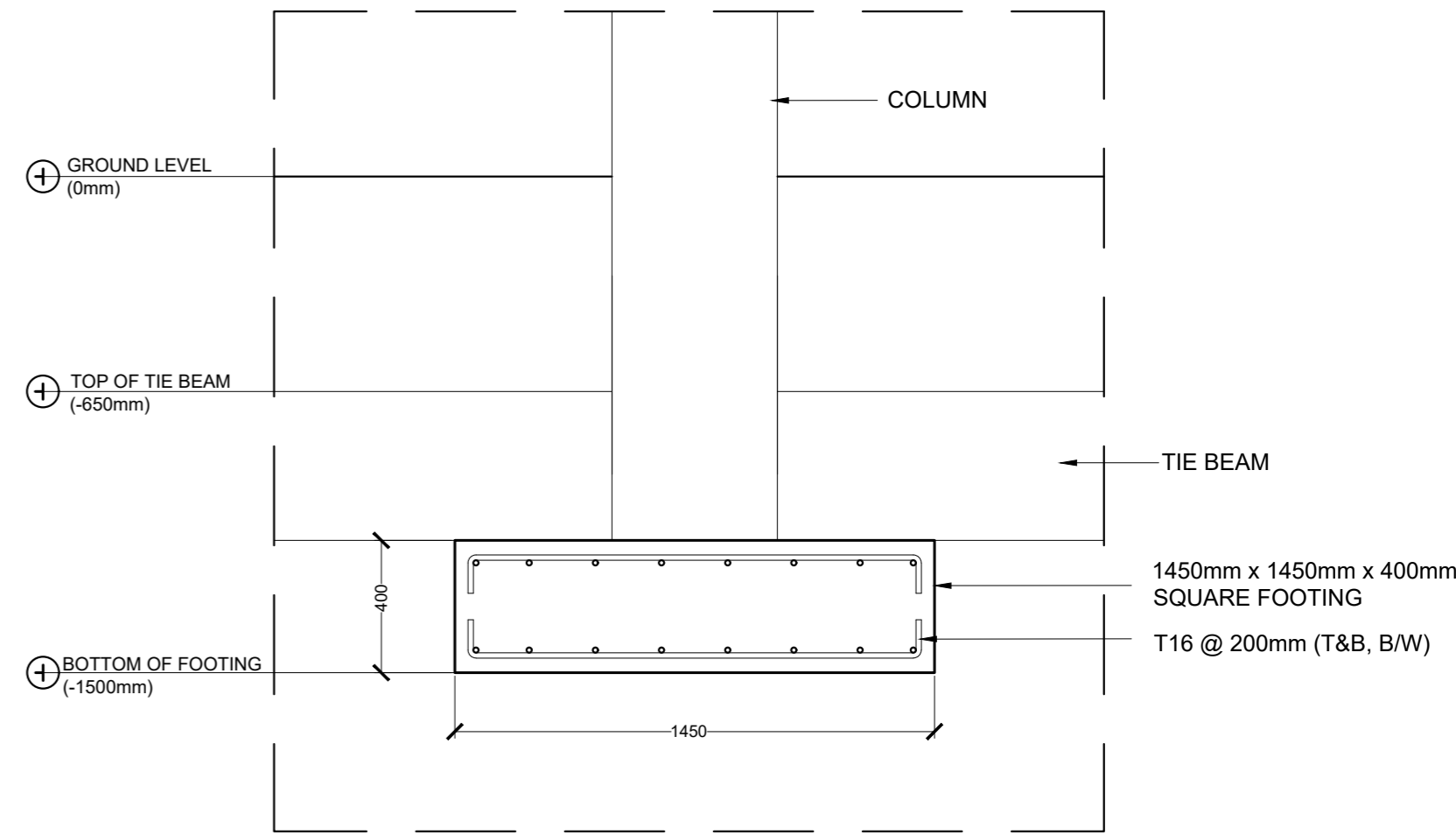
 <p><b>MTCC</b> MALDIVES TRANSPORT &amp; CONTRACTING COMPANY PLC</p> <p><small>SURVEY DESIGN AND DEVELOPMENT SECTION CONSTRUCTION AND PROJECTS MANAGEMENT DEPARTMENT MPCO TOWER, BODU THAKURUWANGI, MALÉ 20261, REPUBLIC OF MALDIVES. PHONE: +960 322 8607 FAX: +960 330 2835 E-MAIL: design@maldivetransport.com.mv</small></p>	<p>PROJECT TITLE R.UNGOOFAARU REGIONAL HOSPITAL EXTENSION</p>	<p>CLIENT &amp; ADDRESS MINISTRY OF HEALTH</p>	<p>DESIGN ARCHITECT: SURVEYING, DESIGN AND DEVELOPMENT SECTION</p>	<p>ENGINEER: IBRAHIM THOAM</p>	<p>STRUCTURAL CHECKER: ABDULLA RAMEEZ</p>	<p>REV</p>	<p>DESCRIPTION</p>	<p>DATE</p>	<p>APPR</p>	<p>SHEET IDENTIFICATION NUMBER</p>
	<p>DRAWING TITLE AS GIVEN</p>	<p>PROJECT LOCATION R.UNGOOFAARU</p>	<p>ARCHITECT: AMINATH ZOONA</p>	<p>ARCHITECTURAL CHECKER: IRUFAN WAHEED</p>	<p>PAPER A2</p>	<p>SCALE AS GW</p>	<p>CHECKED BY: AMINATH SAMAHA</p>	<p>DATE 16-07-20</p>	<p>SHEET TITLE 55</p>	

COPYRIGHT All plans, sketches, drawings, graphic representations and specifications prepared by the Architect(s) & Engineer(s) are instruments of service. The copyright and ownership of both the design and these instruments of service belong to the Architect(s) & Engineer(s) and may not be used for any other project, or sold, or offered for sale by any party other than the Architect/Engineer unless the Architect/Engineer has given written consent. Copies of the documents submitted to the client prepared by the Architect/Engineer may be used as they were intended once, and on the same site and project.



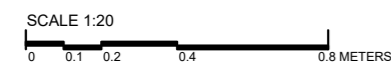



FOOTING F1  
(ELEVATOR SHAFT FOUNDATION)



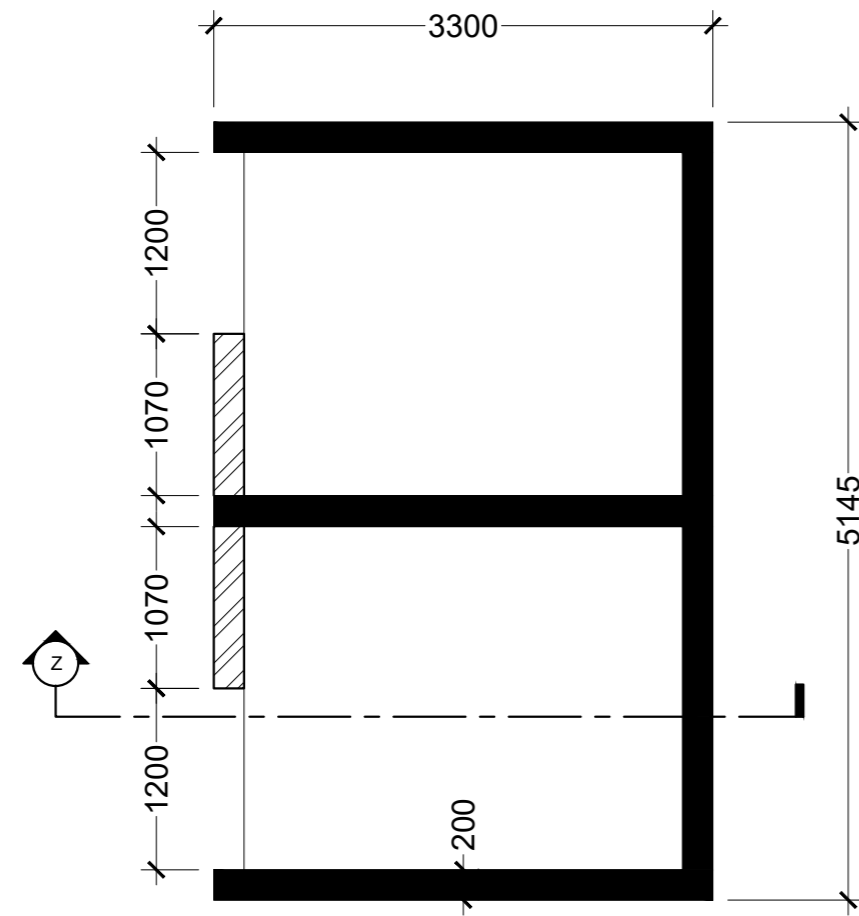
FOOTING F2

FOOTING DETAILS



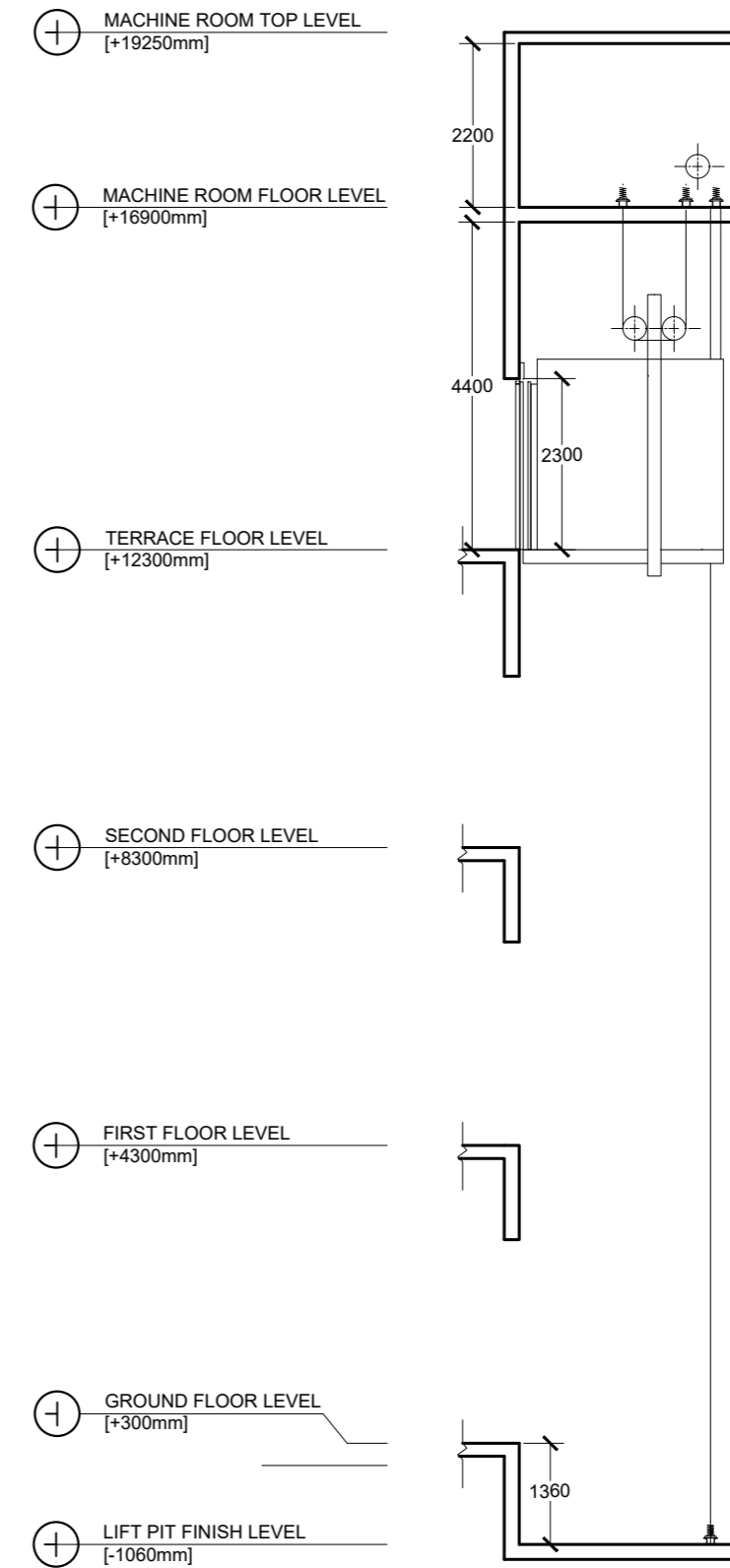
 <b>MTCC</b> MALDIVES TRANSPORT & CONTRACTING COMPANY PLC <small>SURVEY DESIGN AND DEVELOPMENT SECTION          CONSTRUCTION AND PROJECTS MANAGEMENT DEPARTMENT          MTCC TOWER, 8/202, THANGALIMANU, MALÉ, MALDIVES          REPUBLIC OF MALDIVES          PHONE: +960 333 6822 FAX: +960 333 3855          E-MAIL: design@mtcc.com.mv</small>	PROJECT TITLE <b>R.UNGOOFAARU REGIONAL HOSPITAL EXTENSION</b>	CLIENT & ADDRESS <b>MINISTRY OF HEALTH</b>	DESIGN ARCHITECT: SURVEYING, DESIGN AND DEVELOPMENT SECTION	REV DESCRIPTION DATE APPR	SHEET IDENTIFICATION NUMBER <b>S5.11</b> SHEET TITLE 56
	DRAWING TITLE <b>AS GIVEN</b>	PROJECT LOCATION <b>R.UNGOOFAARU</b>	ENGINEER: IBRAHIM THOAM ARCHITECT: AMINATH ZOONA DRAWN BY: AHMED IMAD	STRUCTURAL CHECKER: ABULLA RAHEEZ ARCHITECTURAL CHECKER: IRUFAN WAHEED CHECKED BY: AMINATH SAMAHA PAPER SCALE A2 AS GVN DATE 16-07-20	

COPYRIGHT All plans, sketches, drawings, graphic representations and specifications prepared by the Architect(s) & Engineer(s) are instruments of service. The copyright and ownership of both the design and these instruments of service belong to the Architect(s) & Engineer(s) and may not be used for any other project, or used, or offered for sale by any party other than the Architect/Engineer unless the Architect/Engineer has given written consent. Copies of the documents submitted to the client prepared by the Architect/Engineer may be used as they were intended, once, and on the same site and project.




ELEVATOR SHAFT PLAN

SCALE 1:50  
0 0.25 0.5 1 2 METERS



ELEVATOR SHAFT SECTION Z

SCALE 1:100  
0 1 2 4 8 METERS

 <p><b>M T C C</b> MALDIVES TRANSPORT &amp; CONTRACTING COMPANY PLC</p> <p><small>SURVY DESIGN AND DEVELOPMENT SECTION CONSTRUCTION AND PROJECTS MANAGEMENT DEPARTMENT MTC TOWER, BODU THARUPPANAU MAJULI, MALE 20181, REPUBLIC OF MALDIVES PHONE: +960 333 8822 FAX: +960 333 3855 E-MAIL: design@mtcc.com.mv</small></p>	<p>PROJECT TITLE R. UNGOOFAARU REGIONAL HOSPITAL EXTENSION</p>	<p>CLIENT &amp; ADDRESS MINISTRY OF HEALTH</p>	<p>DESIGN ARCHITECT: SURVEYING, DESIGN AND DEVELOPMENT SECTION</p>	<p>ENGINEER: IBRAHIM THQAM</p>	<p>STRUCTURAL CHECKER: ABDULLA RAMEEZ</p>	<p>REV</p>	<p>DESCRIPTION</p>	<p>DATE</p>	<p>APPR</p>	<p>SHEET IDENTIFICATION NUMBER</p>
	<p>DRAWING TITLE AS GIVEN</p>	<p>PROJECT LOCATION R. UNGOOFAARU</p>	<p>ARCHITECT: AMINATH ZOONA</p>	<p>ARCHITECTURAL CHECKER: IRUFAN WAHEED</p>	<p>PAPER A2</p>	<p>SCALE AS GVN</p>	<p>DATE 16-07-20</p>	<p>CHECKED BY: AMINATH SAMAHA</p>	<p>DATE</p>	<p>APPR</p>
										<p>SHEET TITLE 57</p>

COPYRIGHT All plans, sketches, drawings, graphic representations and specifications prepared by the Architect(s) & Engineer(s) are instruments of service. The copyright and ownership of both the design and these instruments of service belong to the Architect(s) & Engineer(s) and may not be used for any other project, or sold, or offered for sale by any party other than the Architect/Engineer unless the Architect/Engineer has given written consent. Copies of the documents submitted to the client prepared by the Architect/Engineer may be used as they were intended, once, and on the same site and project.